

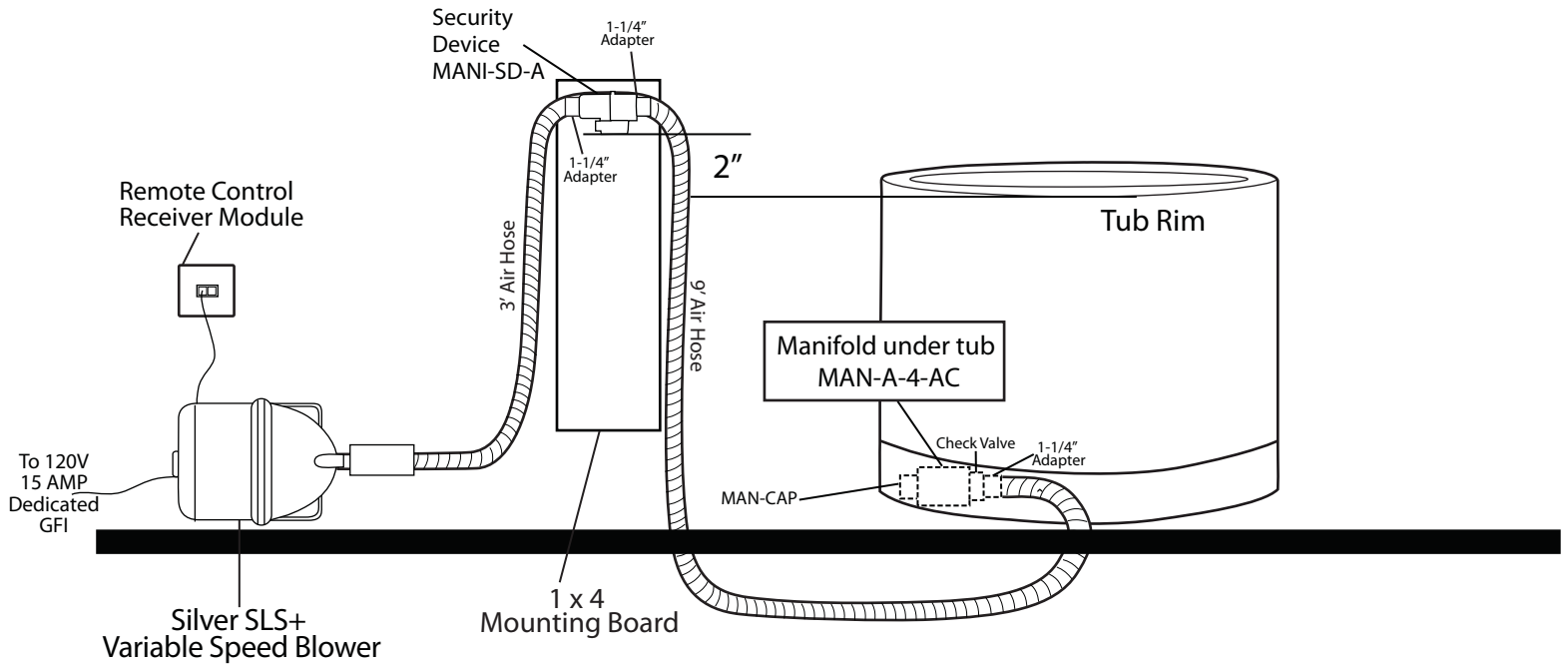
INSTALLATION INSTRUCTIONS

Frederic Hammered Copper Japanese Style Soaking Air Bath Tub

- Install so that the security device, MANI-SD-A, is at least 2" above tub rim.

Components List:

- BM-TWP Ball Check Valve Jets
- MANI-SD-A Security Device
- MAN-A-4-AC Manifold
- Silver SLS+ Variable Speed Blower



Inside of Bath

Features:

- (12) Maxi Air Jets with 24 openings

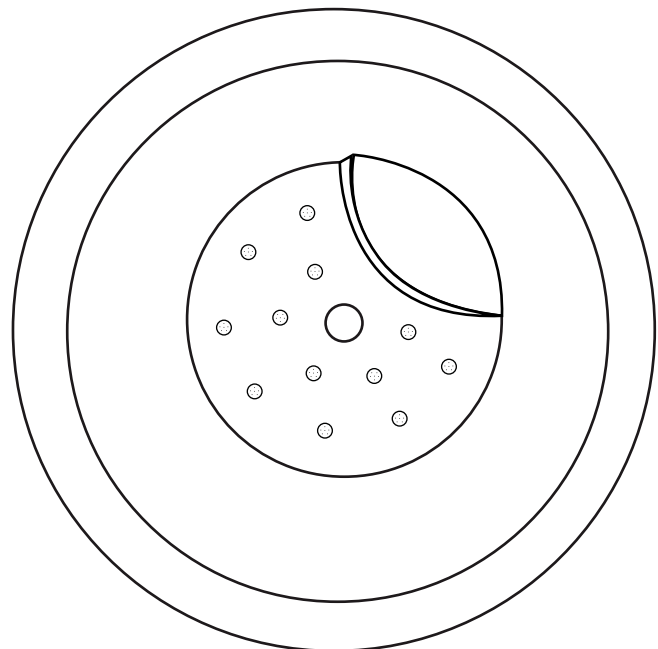


Elbows for air jets Tees for air jets

- Remote Control CG+/RTC-SENSOR-WP



12-15 year battery life



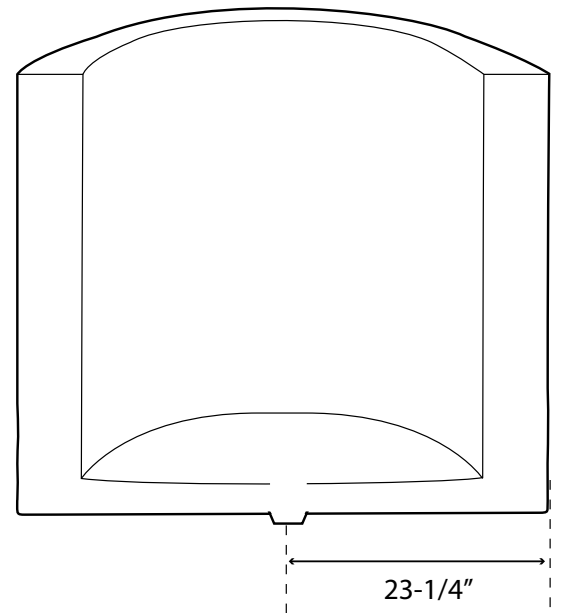
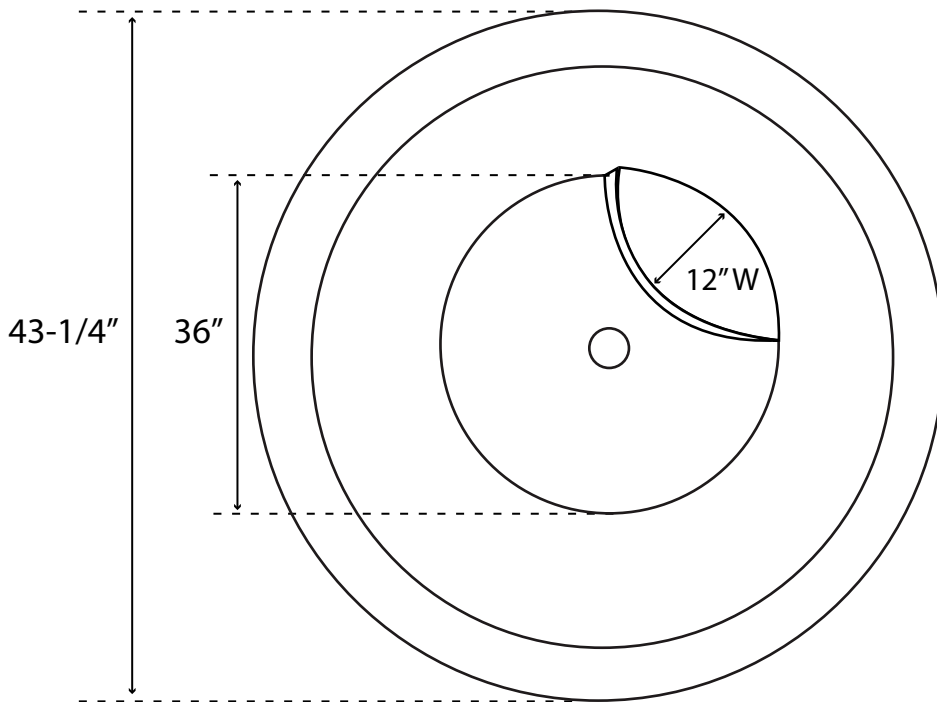
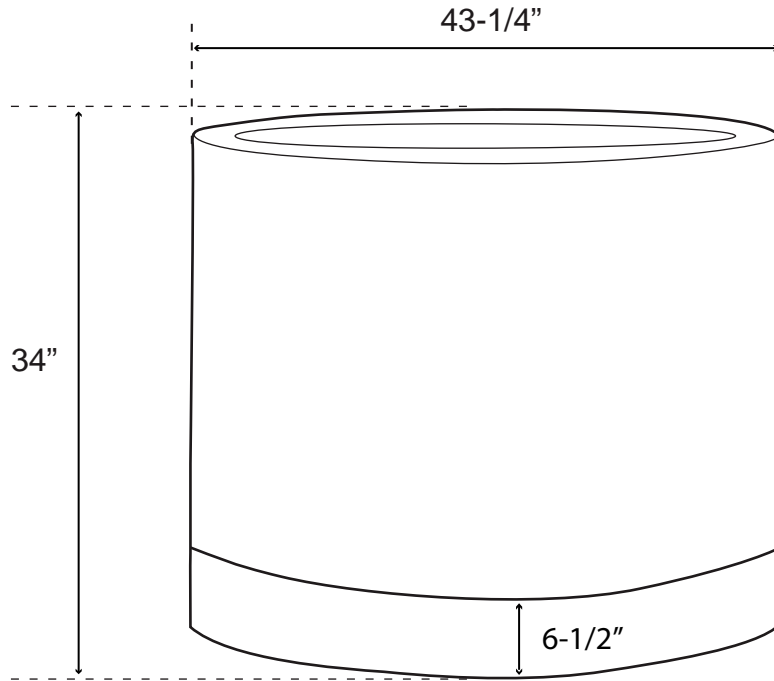
Frederic Hammered Copper Japanese Style Soaking Air Bath Tub

Hammered Exterior and Interior.

Tub Dimensions: 43-1/4" diameter x 34" H.

Water Capacity: 160 gallons to top of tub

Tub Weight Uncrated: 200 lbs. Tub Weight Crated: 425 lbs.



Tub rim is 3-3/8" wide.

Tub is 28-1/2" deep and has no overflow.

Interior tub seat measures 21" L x 12-1/8" W (front to back) x 7-1/4" H.

All measurements are approximate.

Measurements may vary +/- 1/2".