

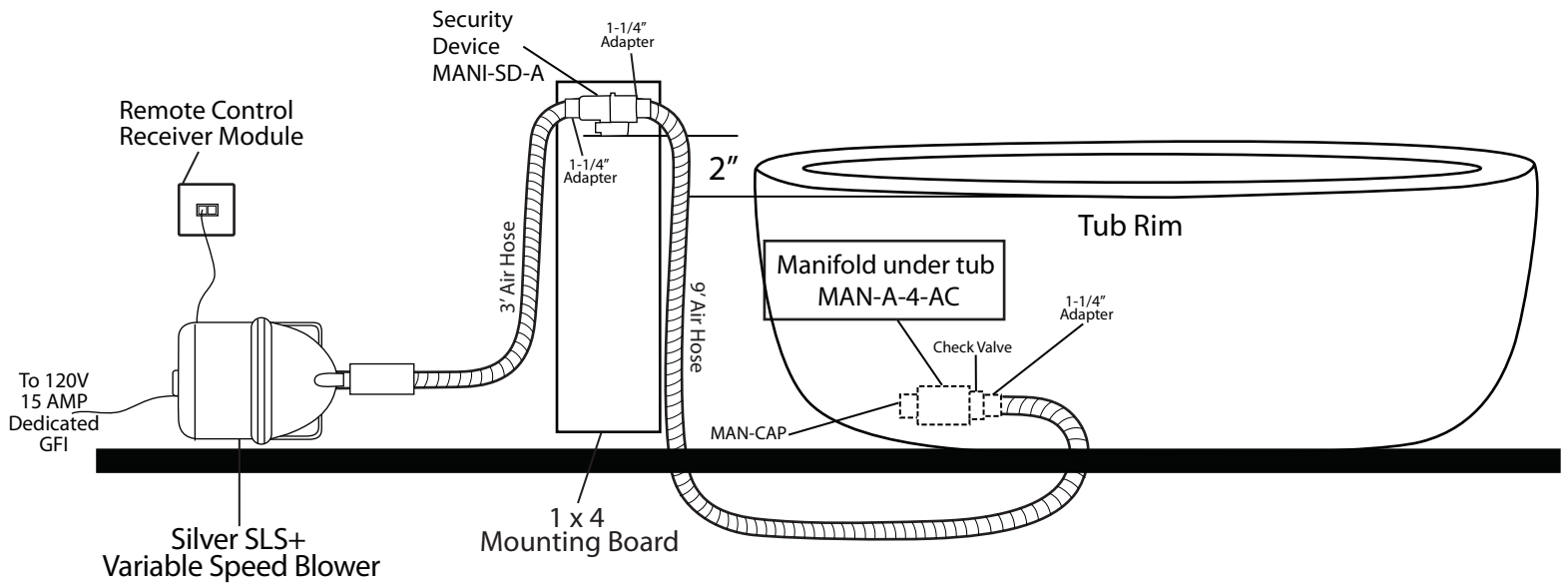
INSTALLATION INSTRUCTIONS

Evesta Oval Acrylic Freestanding Air Bath Tub

- Install so that the security device, MANI-SD-A, is at least 2" above tub rim.

Components List:

- BM-TWP Ball Check Valve Jets
- MANI-SD-A Security Device
- MAN-A-4-AC Manifold
- Silver SLS+ Variable Speed Blower



Inside of Bath

Features:

- (16) Maxi Air Jets with 24 openings

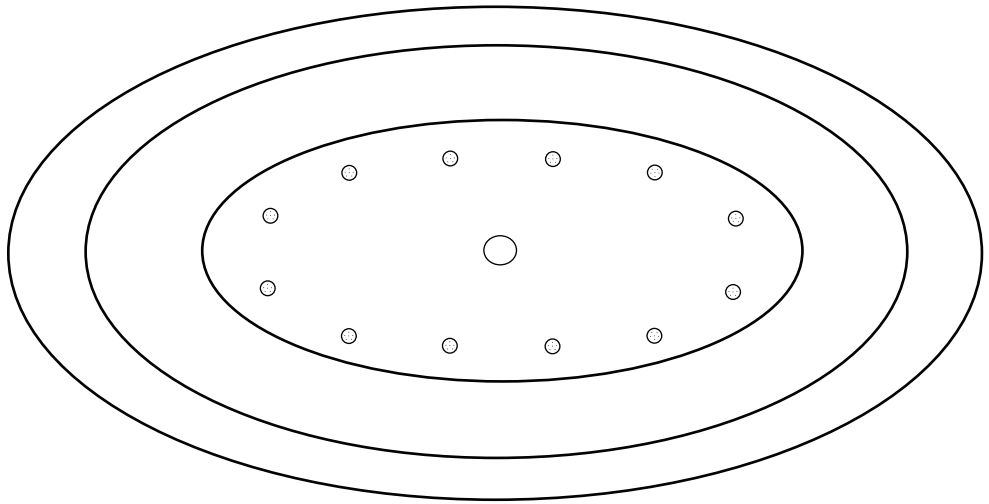


Elbows for air jets



Tees for air jets

- Remote Control CG+/RTC-SENSOR-WP

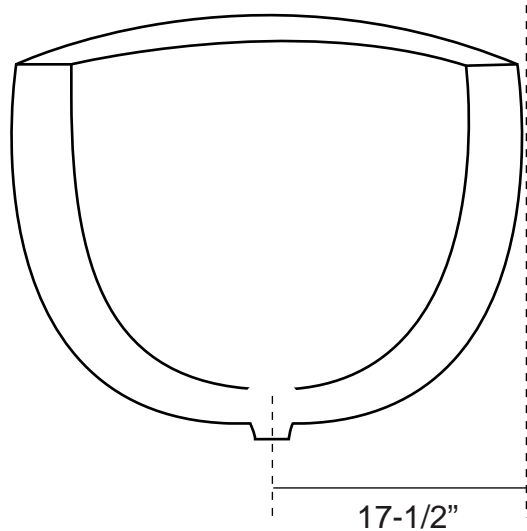
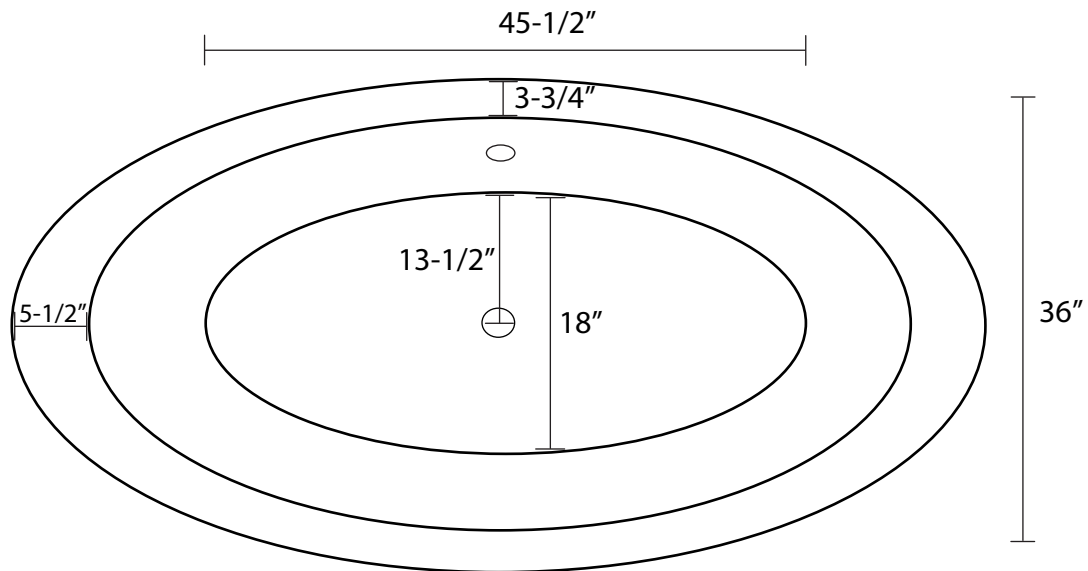
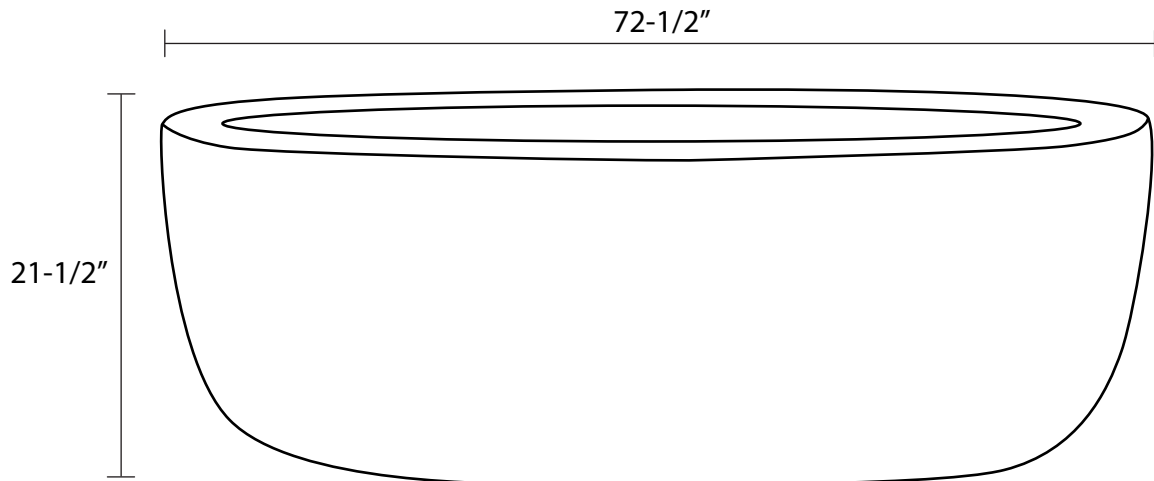


Evesta Oval Acrylic Freestanding Air Bath Tub

Tub Dimensions: 72-1/2" L x 36" W x 21-1/2"H.

Tub water capacity: 64 gallons to the top of tub.

Tub Weight Uncrated: 100 lbs. Tub Weight Crated: 325 lbs



Water depth is 14-1/2" H to overflow.
All measurements are approximate.
Measurements may vary +/- 1/2".