

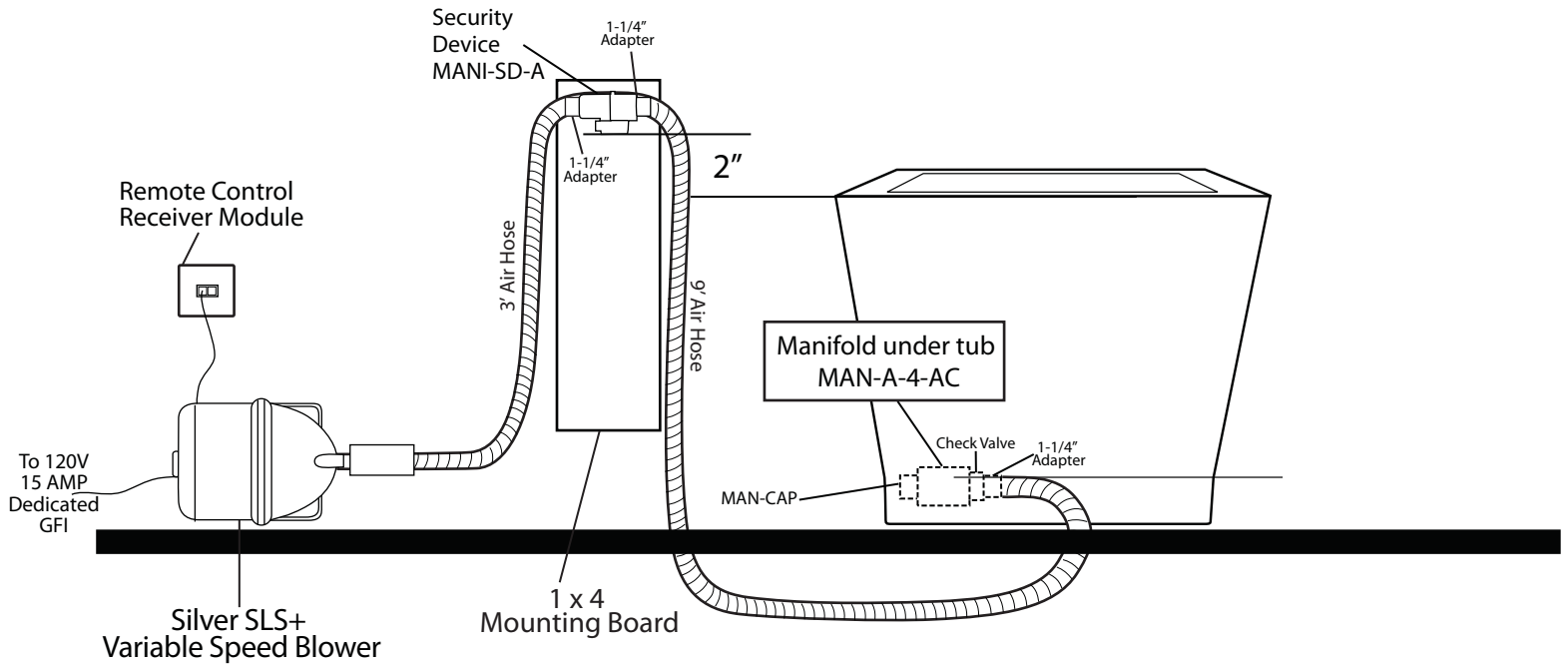
INSTALLATION INSTRUCTIONS

Daxton Hammered Copper Japanese Style Soaking Air Bath Tub

- Install so that the security device, MANI-SD-A, is at least 2" above tub rim.

Components List:

- BM-TWP Ball Check Valve Jets
- MANI-SD-A Security Device
- MAN-A-4-AC Manifold
- Silver SLS+ Variable Speed Blower



Inside of Bath

Features:

- (12) Maxi Air Jets with 24 openings

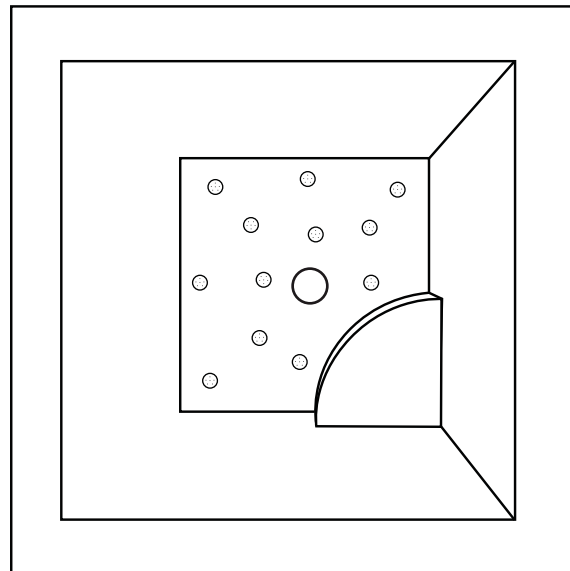


Elbows for air jets Tees for air jets

- Remote Control CG+/RTC-SENSOR-WP



12-15 year battery life



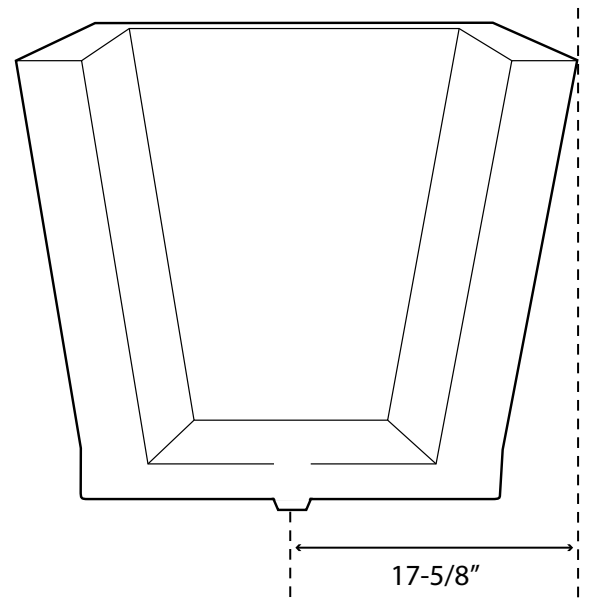
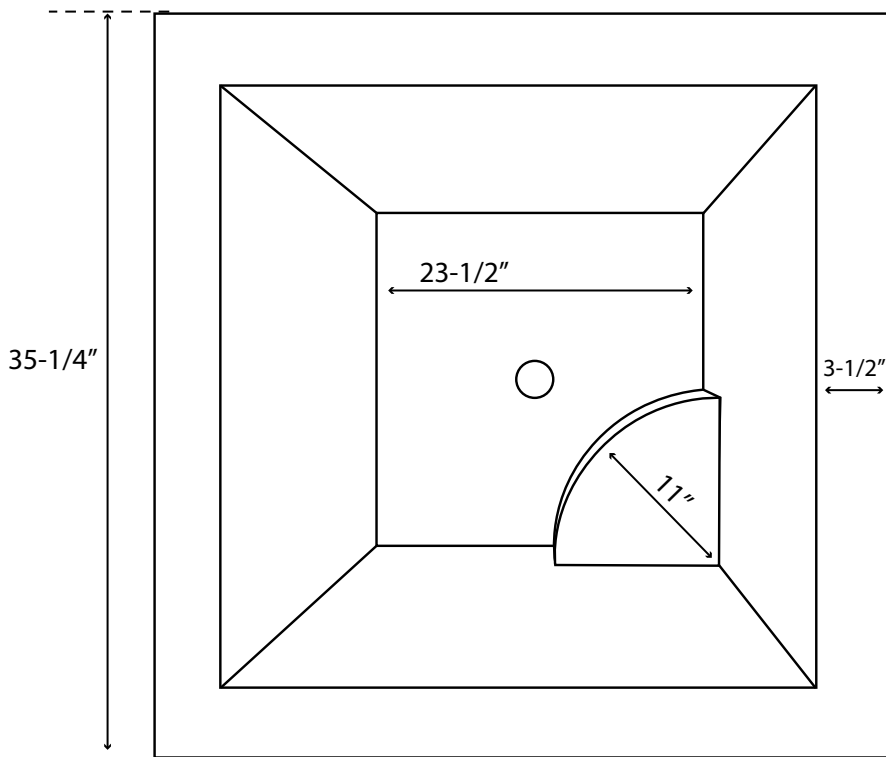
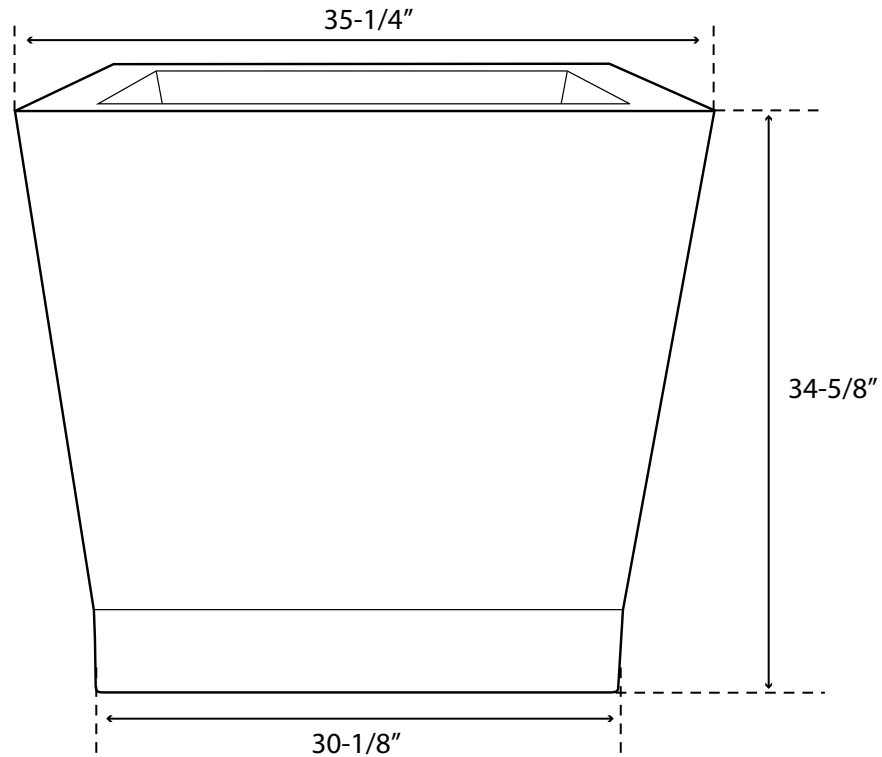
Daxton Hammered Copper Japanese Style Soaking Air Bath Tub

Hammered Exterior and Interior.

Tub Dimensions: 35-1/4" L x 35-1/4" W x 34-5/8" H.

Water Capacity: 68 gallons to the top of tub.

Tub Weight Uncrated: 200 lbs. Tub Weight Crated: 425 lbs.



Water depth is 28-1/2" H to top of tub.

Interior tub seat measures 16" L x 11" W (front to back) x 5-1/2" H.

All measurements are approximate.

Measurements may vary +/- 1/2".