

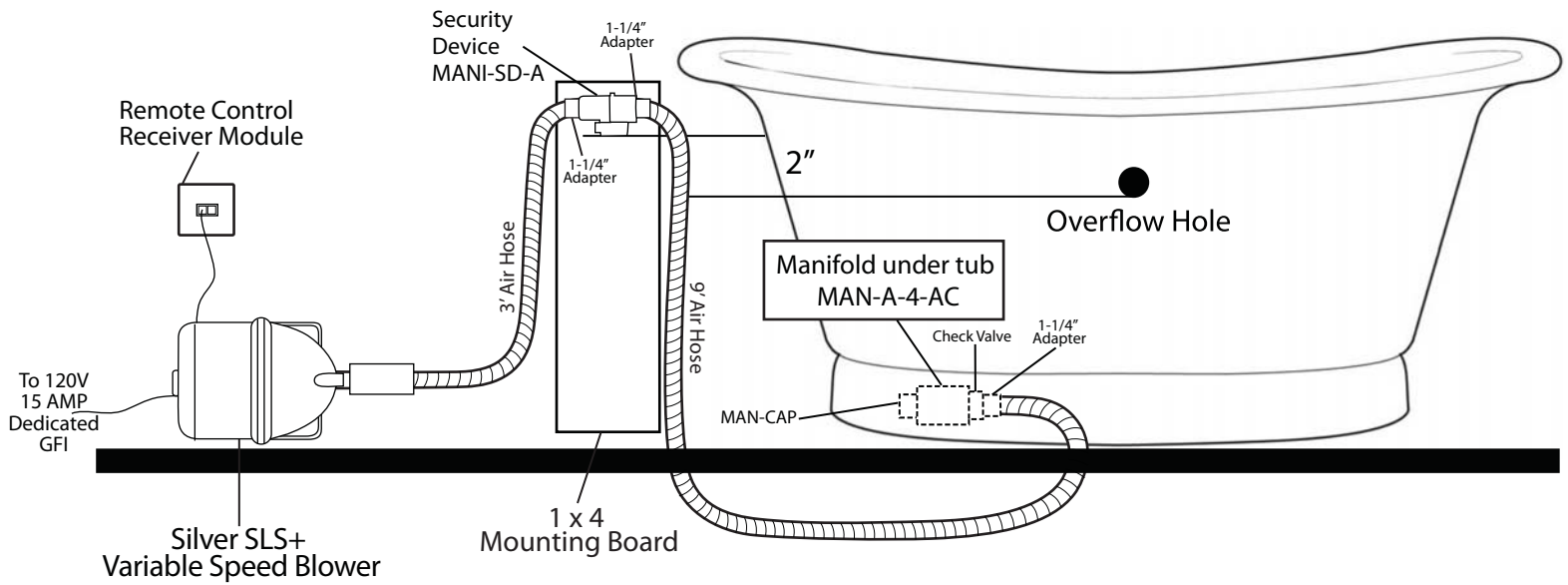
INSTALLATION INSTRUCTIONS

Copper Double Slipper Air Bath Tub with Nickel Lining

- Install so that the security device, MANI-SD-A, is at least 2" above the bottom of the overflow hole.

Components List:

- BM-TWP Ball Check Valve Jets
- MANI-SD-A Security Device
- MAN-A-4-AC Manifold
- Silver SLS+ Variable Speed Blower



Inside of Bath

Features:

- (12) Maxi Air Jets with 24 openings

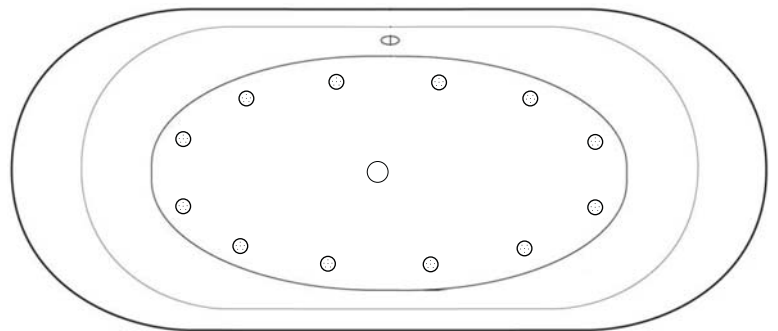


Elbows for air jets Tees for air jets

- Remote Control CG+/RTC-SENSOR-WP



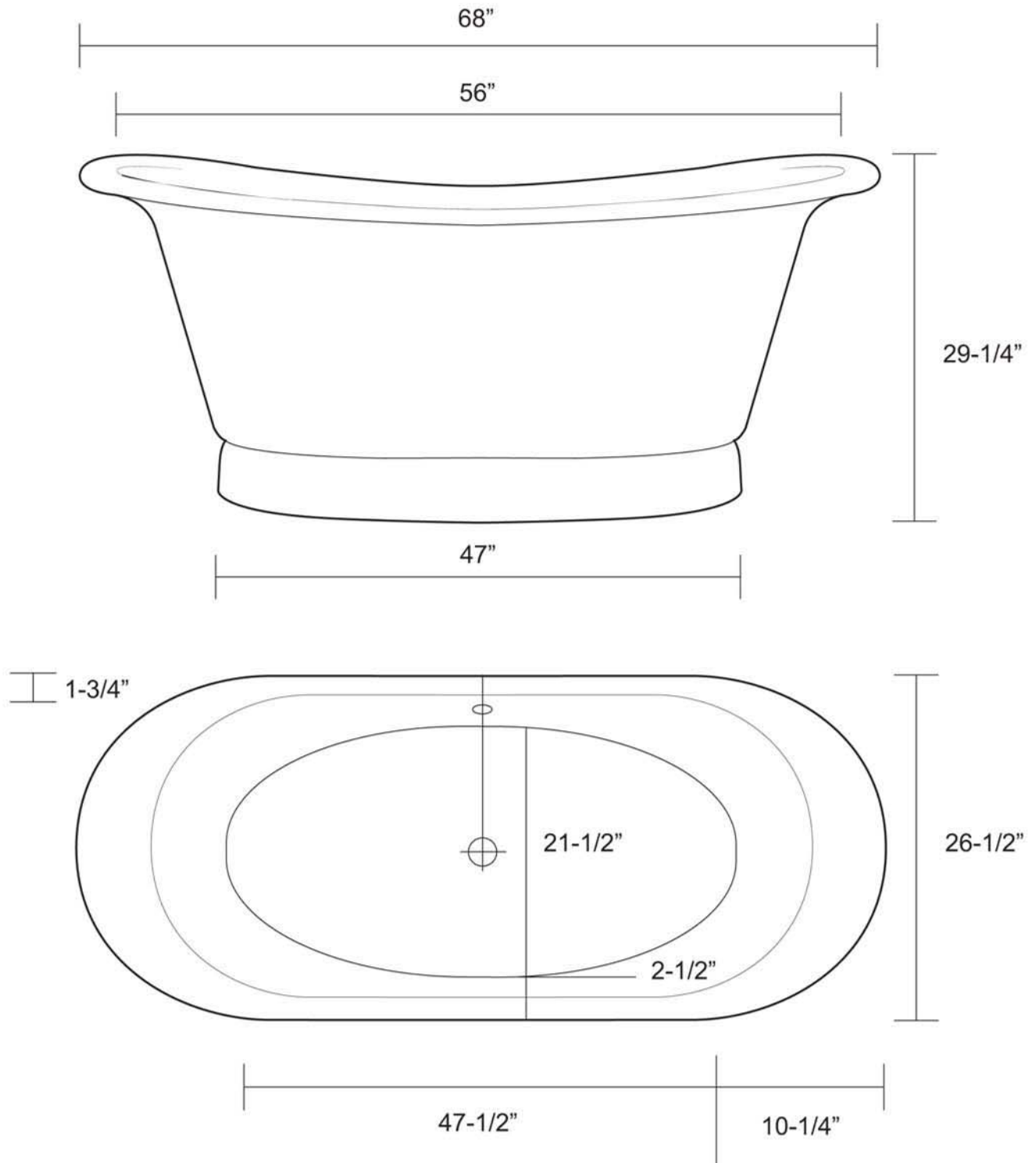
12-15 year battery life



Copper Double Slipper Air Bath Tub with Nickel Lining

Tub Dimensions: 68" L x 26-1/2" W x 29-1/4" H

Tub water capacity: 75 gallons



Tub is 21-1/4" deep at drain.

Overflow hole diameter is 1-1/2"

Water depth to overflow is 16-3/4" H

All measurements are approximate. Measurements may vary +/- 1/2".