

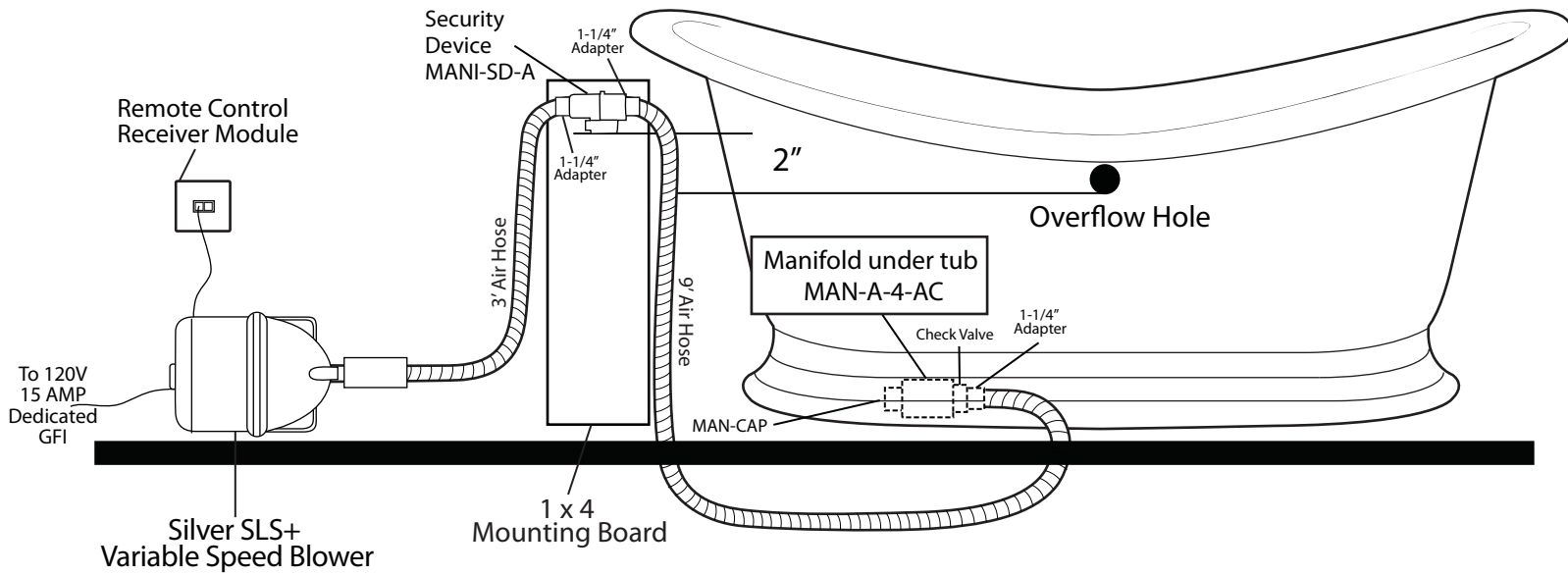
# INSTALLATION INSTRUCTIONS

## Constantine Double Slipper Mosaic Copper Air Bath Tub

- Install so that the security device, MANI-SD-A, is at least 2" above the bottom of the overflow hole.

### Components List:

- BM-TWP Ball Check Valve Jets
- MANI-SD-A Security Device
- MAN-A-4-AC Manifold
- Silver SLS+ Variable Speed Blower



### Inside of Bath

#### Features:

- (12) Maxi Air Jets with 24 openings



Elbows for air jets

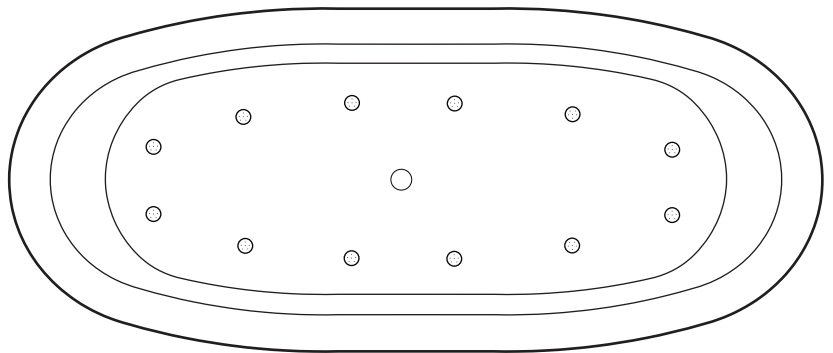


Tees for air jets

- Remote Control CG+/RTC-SENSOR-WP



12-15 year battery life



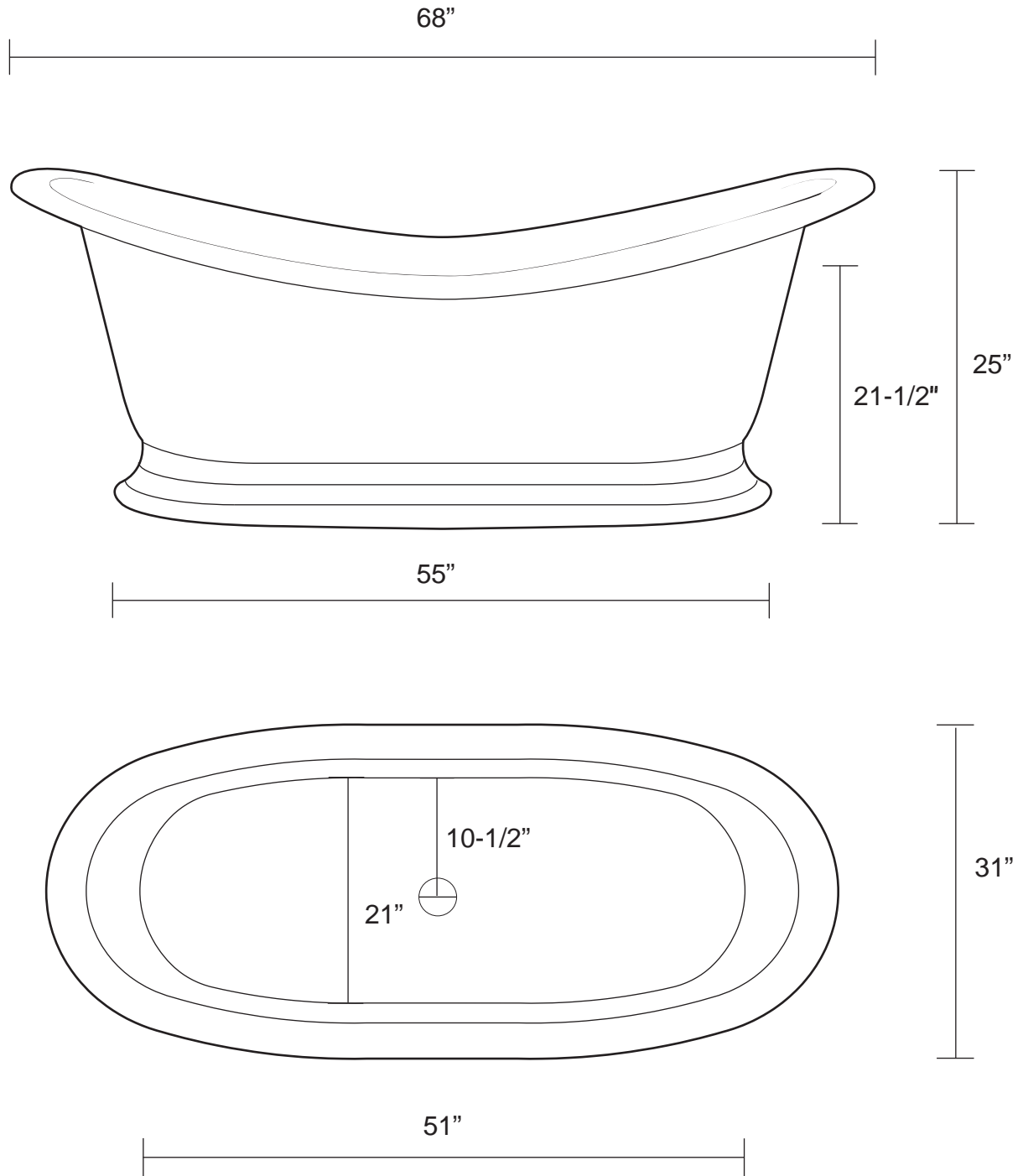
# Constantine Double Slipper Mosaic Copper Air Bath Tub

## Smooth Interior and Mosaic Exterior

Tub Dimensions: 68" L x 31" W x 25" H.

Tub Water Capacity: 55 gallons.

Tub Weight Uncrated: 170 lbs. Tub Weight Crated: 395 lbs.



Tub rim is 2-3/4" wide.

Water depth to overflow is 11-1/2" H.

Overflow hole diameter is 1-1/2".

All measurements are approximate. Measurements may vary +/- 1/2".