

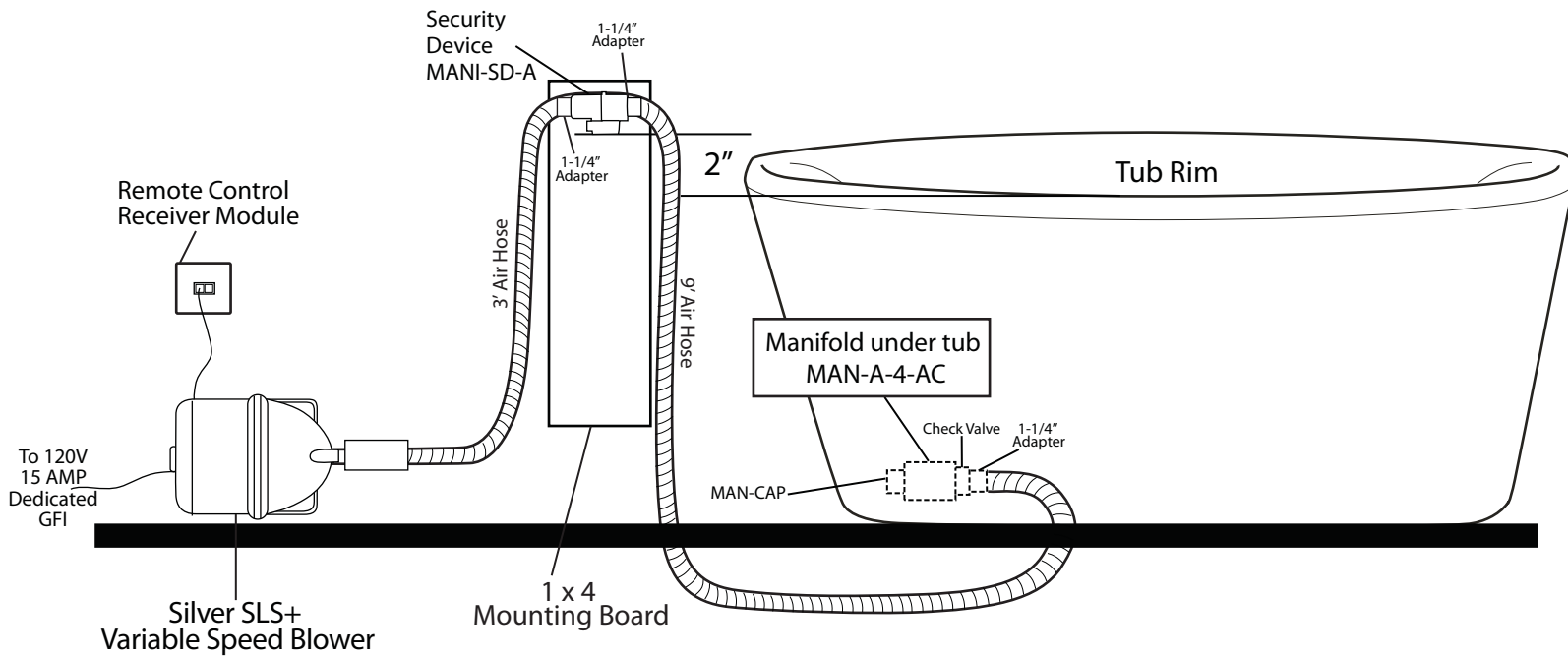
# INSTALLATION INSTRUCTIONS

## Candra Oval Acrylic Freestanding Air Bath Tub

- Install so that the security device, MANI-SD-A, is at least 2" above tub rim.

### Components List:

- BM-TWP Ball Check Valve Jets
- MANI-SD-A Security Device
- MAN-A-4-AC Manifold
- Silver SLS+ Variable Speed Blower



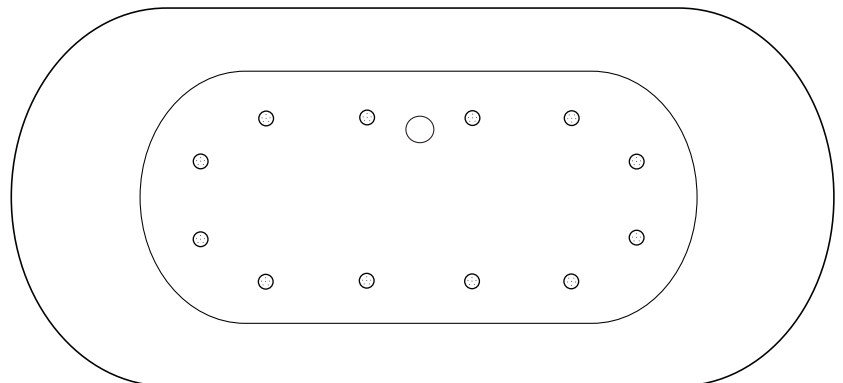
### Inside of Bath

#### Features:

- (12) Maxi Air Jets with 24 openings



- Remote Control CG+/RTC-SENSOR-WP

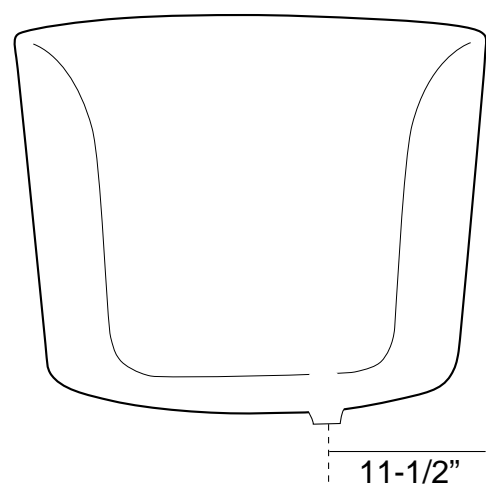
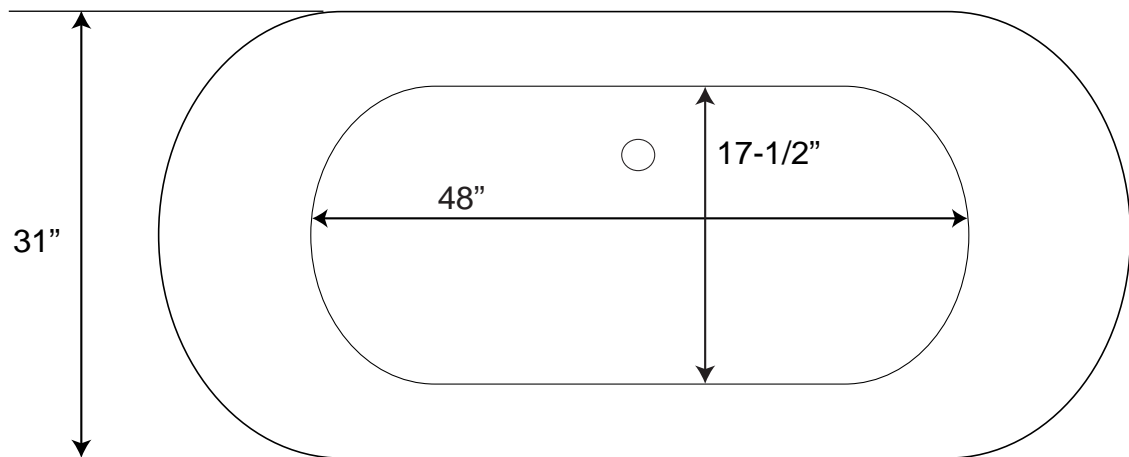
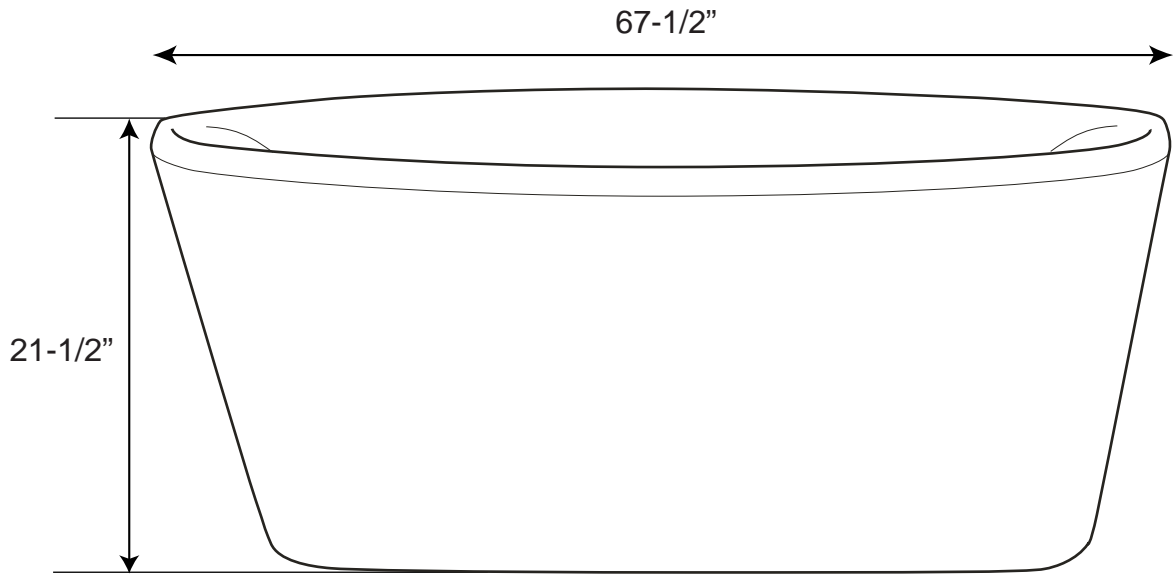


# Candra Oval Acrylic Freestanding Air Bath Tub

Tub Dimensions: 67-1/2" L x 31" W x 21-1/2" H

Tub Water Capacity: 66 gallons (to top of tub)

Tub Weight Uncrated: 200 lbs. Tub Weight Crated: 425 lbs



Water depth is 18-1/4" H to top of tub.  
All measurements are approximate.  
Measurements may vary +/- 1/2".