

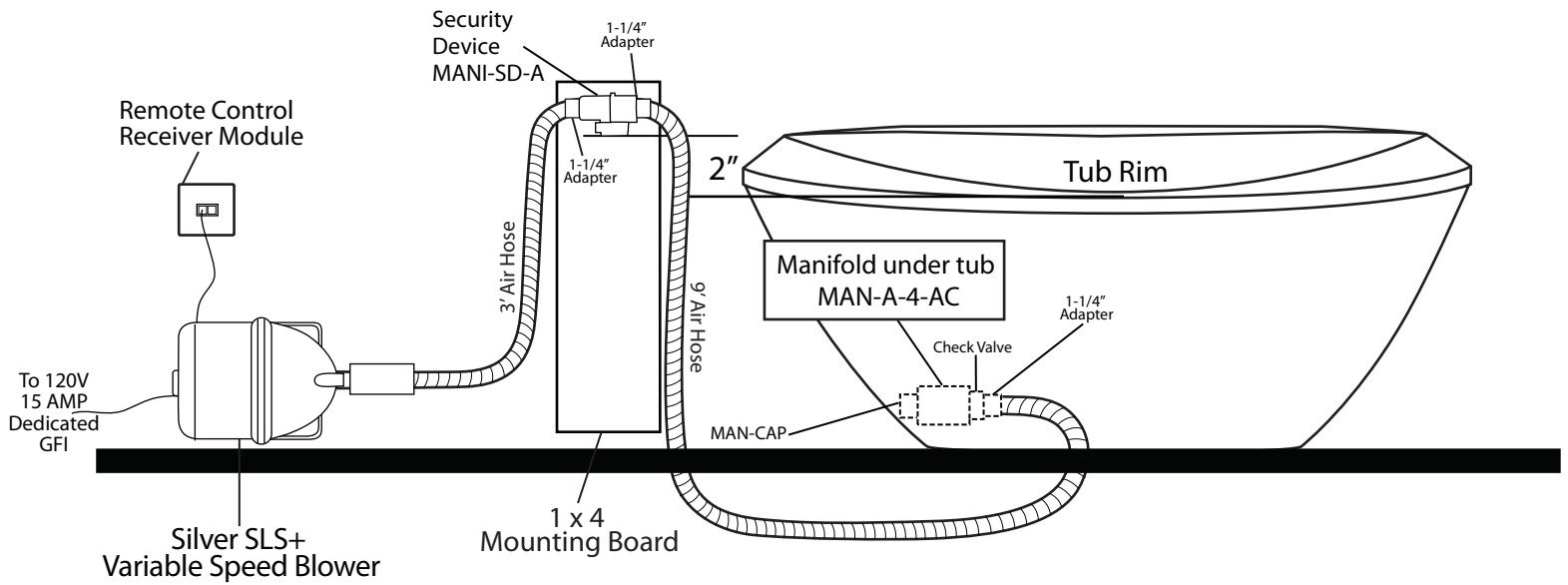
INSTALLATION INSTRUCTIONS

Blaire Acrylic Freestanding Air Bath Tub

- Install so that the security device, MANI-SD-A, is at least 2" above tub rim.

Components List:

- BM-TWP Ball Check Valve Jets
- MANI-SD-A Security Device
- MAN-A-4-AC Manifold
- Silver SLS+ Variable Speed Blower



Inside of Bath

Features:

- (16) Maxi Air Jets with 24 openings

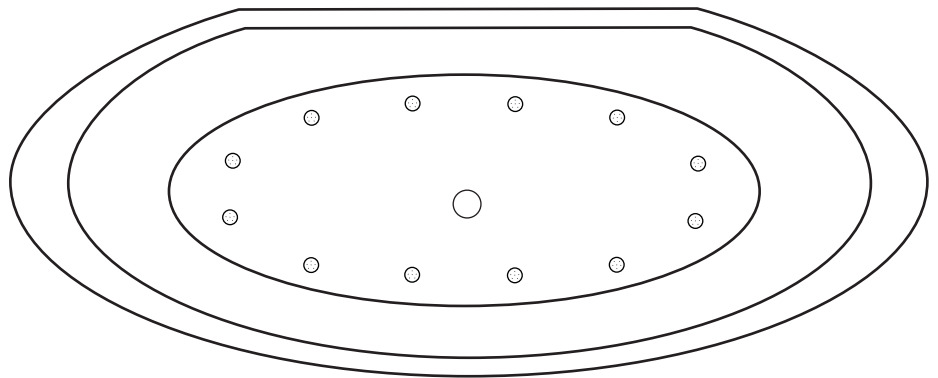


Elbows for air jets



Tees for air jets

- Remote Control CG+/RTC-SENSOR-WP

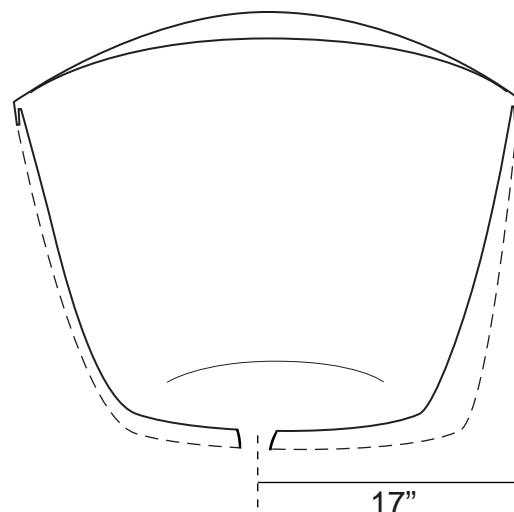
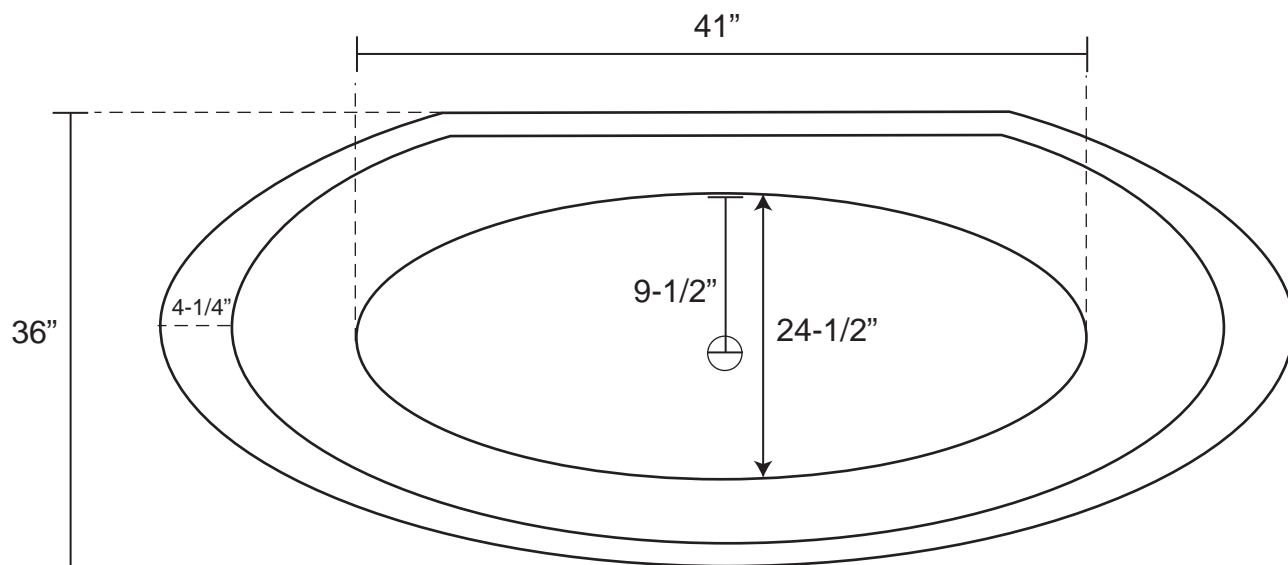
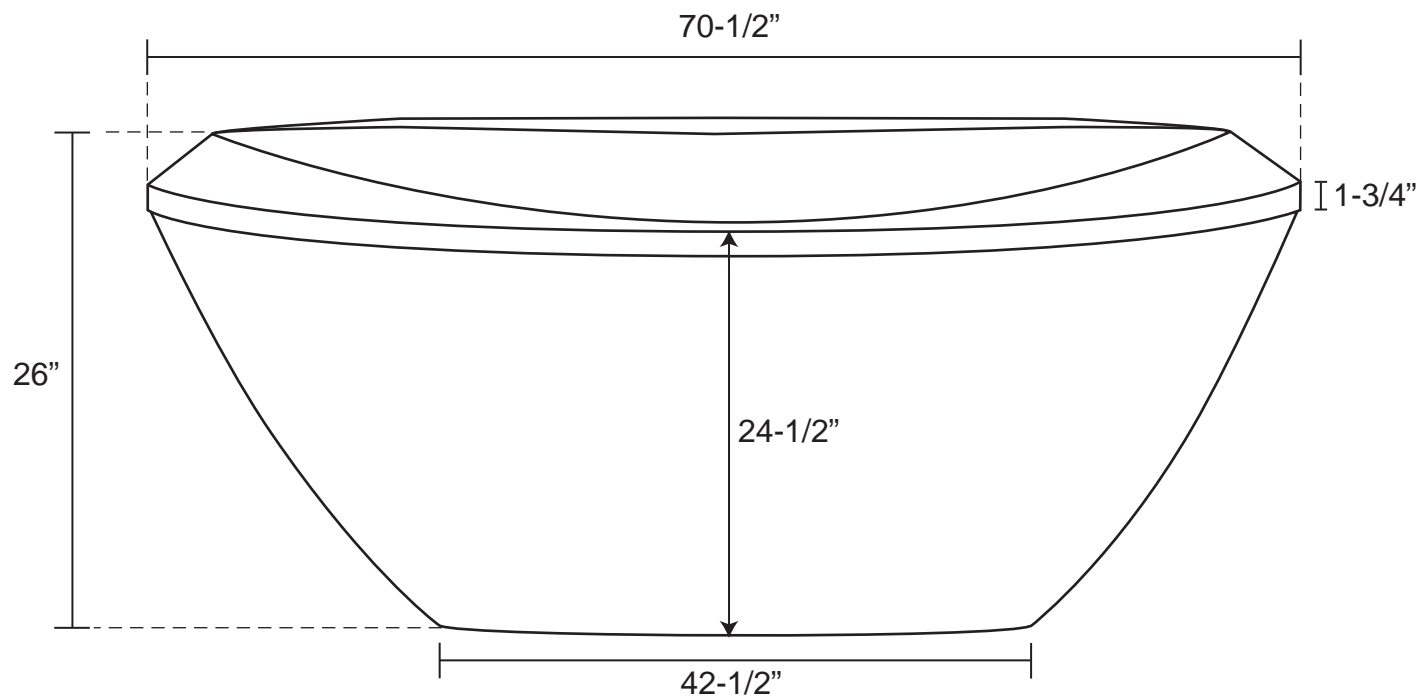


Blaire Acrylic Freestanding Air Bath Tub

Tub Dimensions: 70-1/2" L x 36" W x 26"H

Tub Water Capacity: 85 gallons

Tub Weight Uncrated: 200 lbs. Tub Weight Crated: 425 lbs



Water depth is 19-1/2" H to top of tub.
All measurements are approximate.
Measurements may vary +/- 1/2".