

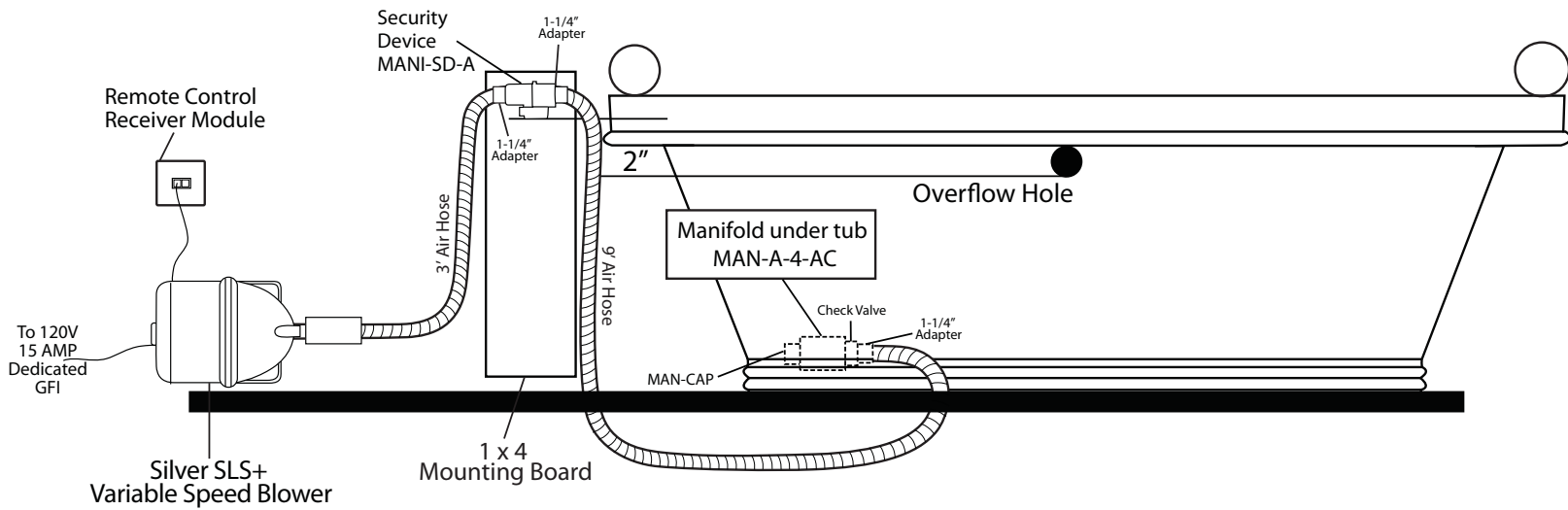
INSTALLATION INSTRUCTIONS

78" Lucca Rectangular Copper Soaking Air Bath Tub

- Install so that the security device, MANI-SD-A, is at least 2" above the bottom of the overflow hole.

Components List:

- BM-TWP Ball Check Valve Jets
- MANI-SD-A Security Device
- MAN-A-4-AC Manifold
- Silver SLS+ Variable Speed Blower



Inside of Bath

Features:

- (12) Maxi Air Jets with 24 openings

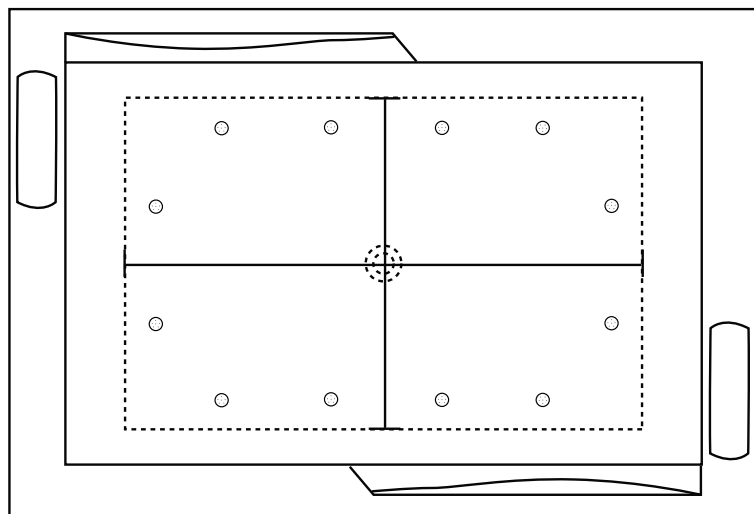


Elbows for air jets Tees for air jets

- Remote Control CG+/RTC-SENSOR-WP



12-15 year battery life

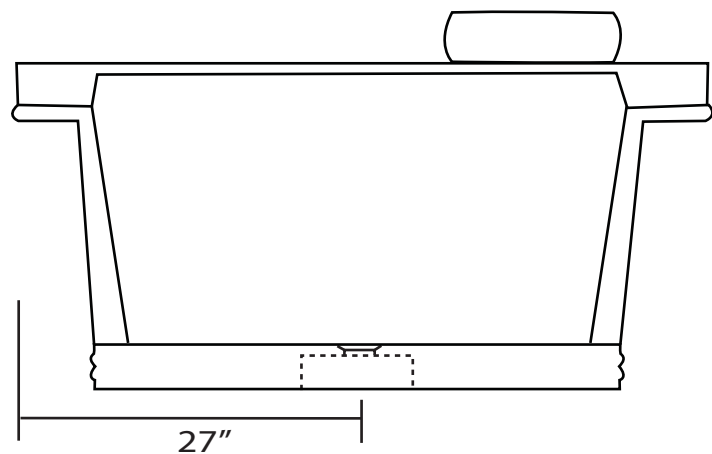
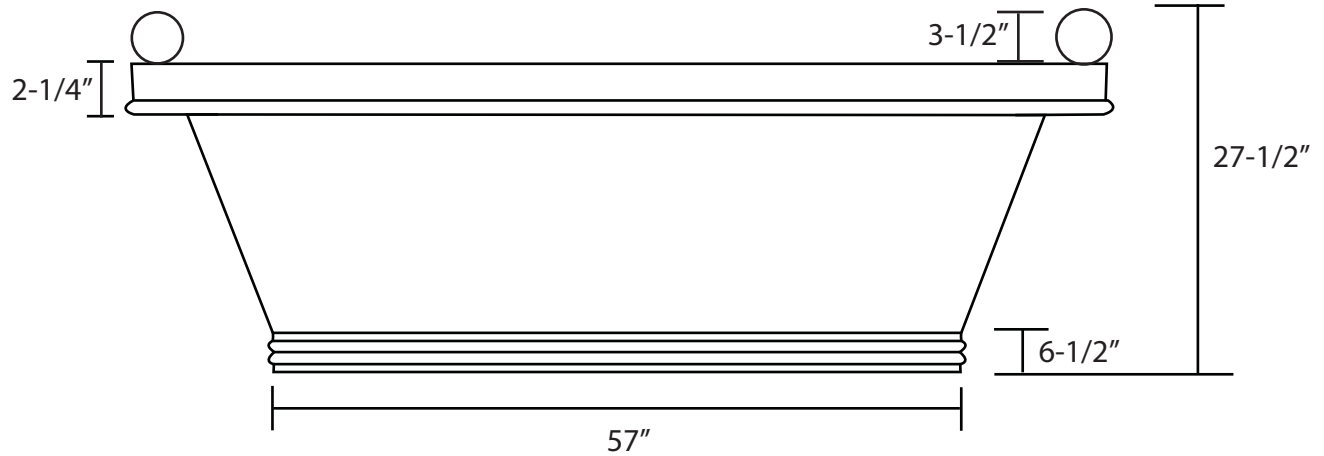
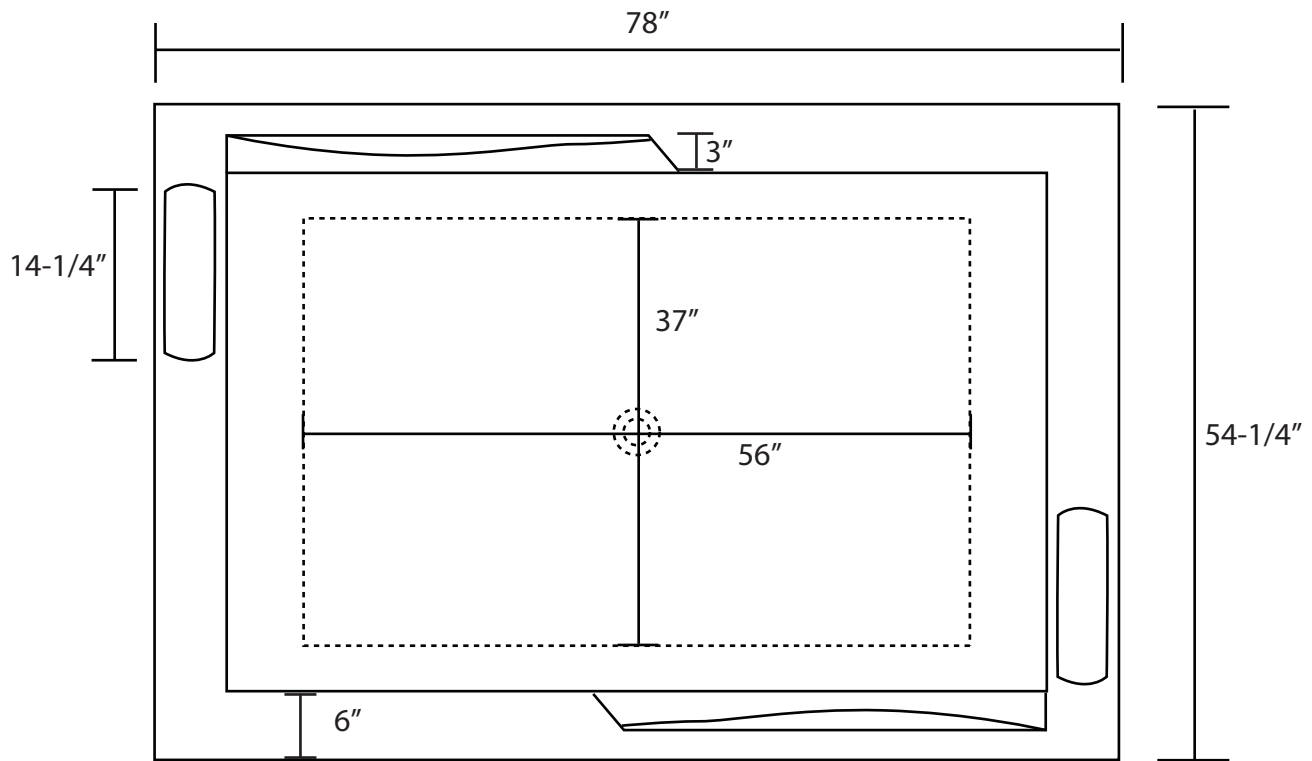


78" Lucca Rectangular Copper Soaking Air Tub

Tub Dimensions: 78" L x 54-1/4" W x 27-1/2" H.

Water Capacity: 180 gallons

Tub Weight Uncrated: 215 lbs. Tub Weight Crated: 440 lbs.



Tub is 20" deep at drain.
All measurements are approximate.
Measurements may vary +/- 1/2".