

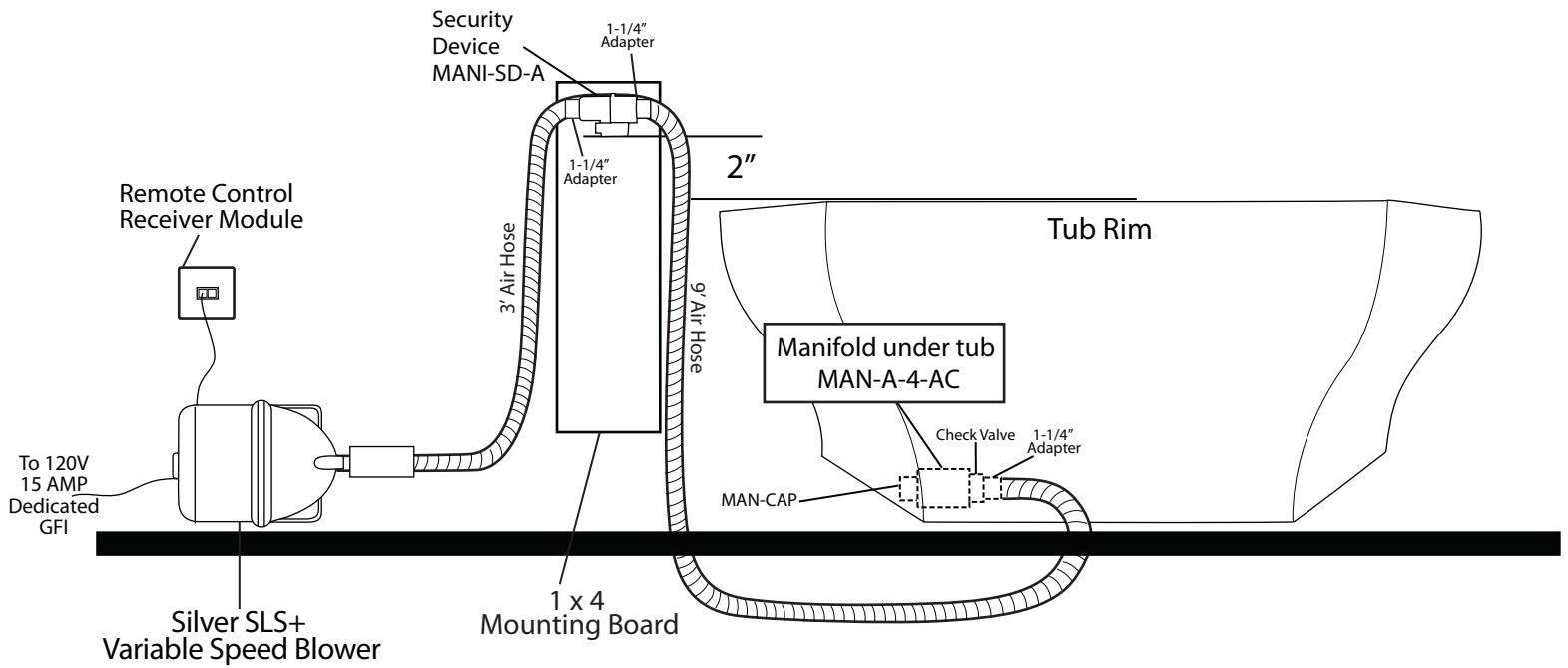
INSTALLATION INSTRUCTIONS

72" Riley Double Wall Hexagon Copper Soaking Air Bath Tub

- Install so that the security device, MANI-SD-A, is at least 2" above tub rim.

Components List:

- BM-TWP Ball Check Valve Jets
- MANI-SD-A Security Device
- MAN-A-4-AC Manifold
- Silver SLS+ Variable Speed Blower



Inside of Bath

Features:

- (16) Maxi Air Jets with 24 openings

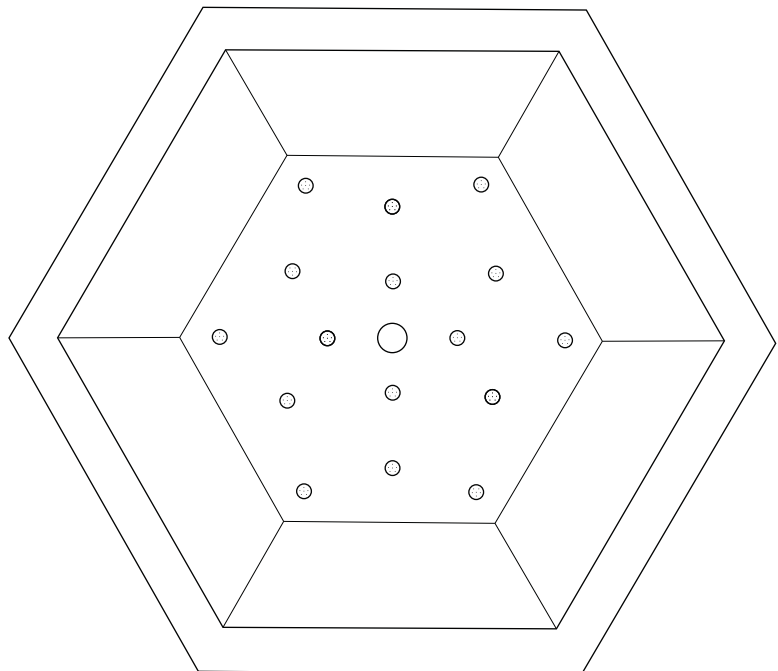


Elbows for air jets Tees for air jets

- Remote Control CG+/RTC-SENSOR-WP



12-15 year battery life



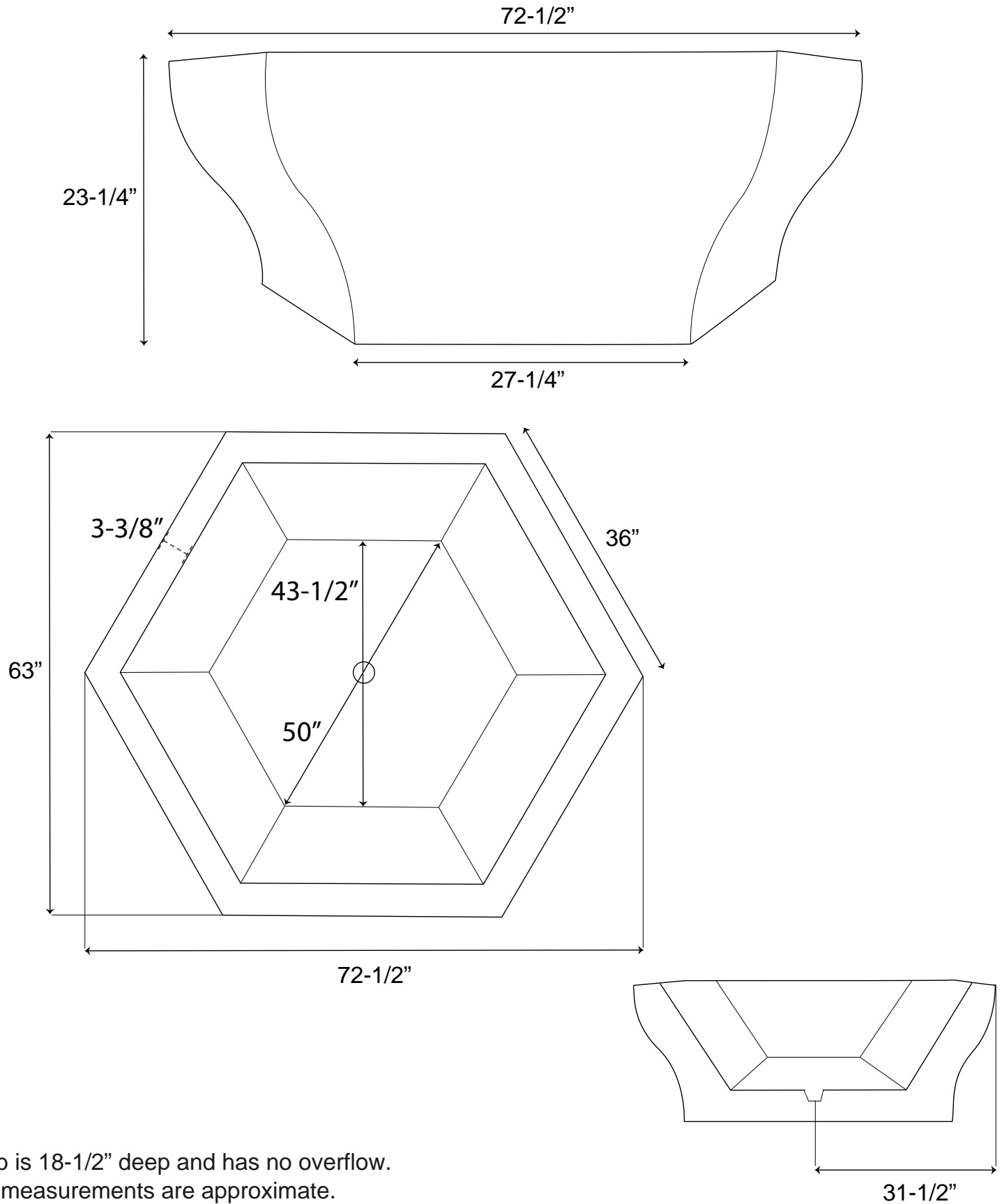
72" Riley Double Wall Hexagon Copper Soaking Air Bath Tub

Hammered Exterior and Interior.

Tub Dimensions: 72-1/2" L x 63" W x 23-1/4" H.

Water Capacity: 174 Gallons to the top of tub.

Tub Weight Uncrated: 300 lbs. Tub Weight Crated: 525 lbs.



Tub is 18-1/2" deep and has no overflow.

All measurements are approximate.

Measurements may vary +/- 1/2".