

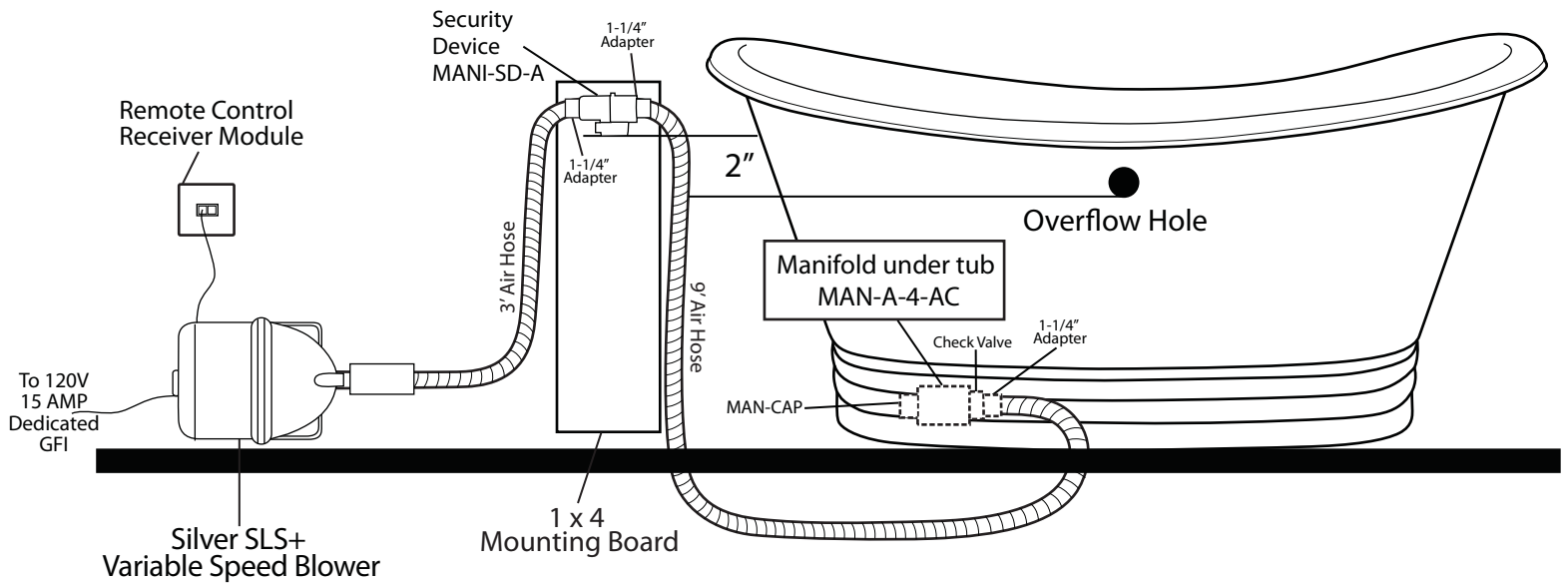
INSTALLATION INSTRUCTIONS

Anastasia Double Slipper Mosaic Copper Air Bath Tub - Nickel Interior

- Install so that the security device, MANI-SD-A, is at least 2" above the bottom of the overflow hole.

Components List:

- BM-TWP Ball Check Valve Jets
- MANI-SD-A Security Device
- MAN-A-4-AC Manifold
- Silver SLS+ Variable Speed Blower



Inside of Bath

Features:

- (12) Maxi Air Jets with 24 openings



Elbows for air jets

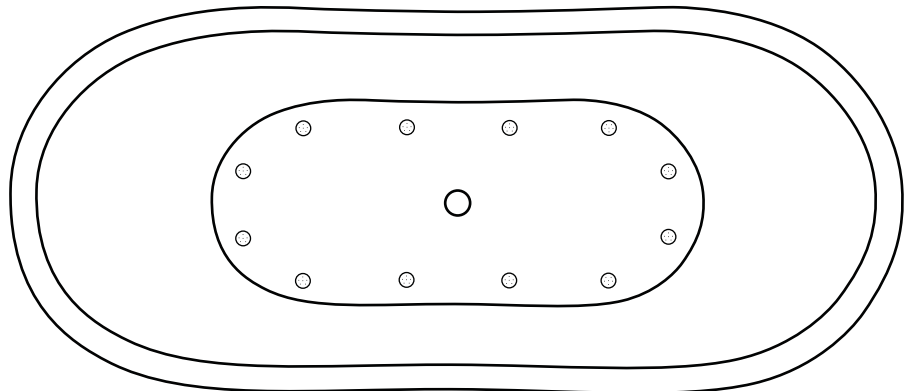


Tees for air jets

- Remote Control CG+/RTC-SENSOR-WP



12-15 year battery life

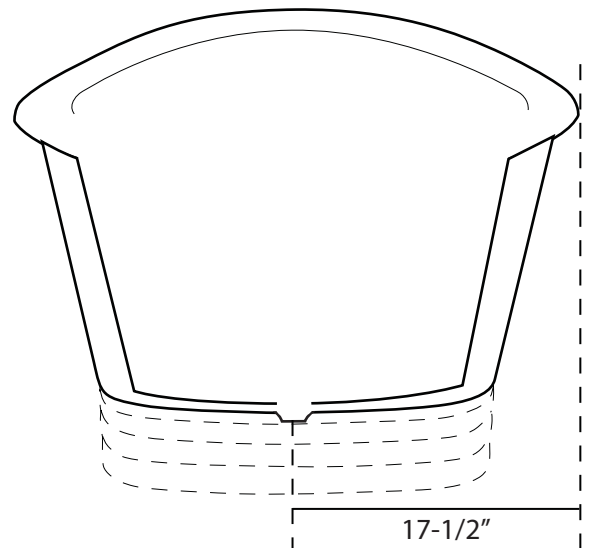
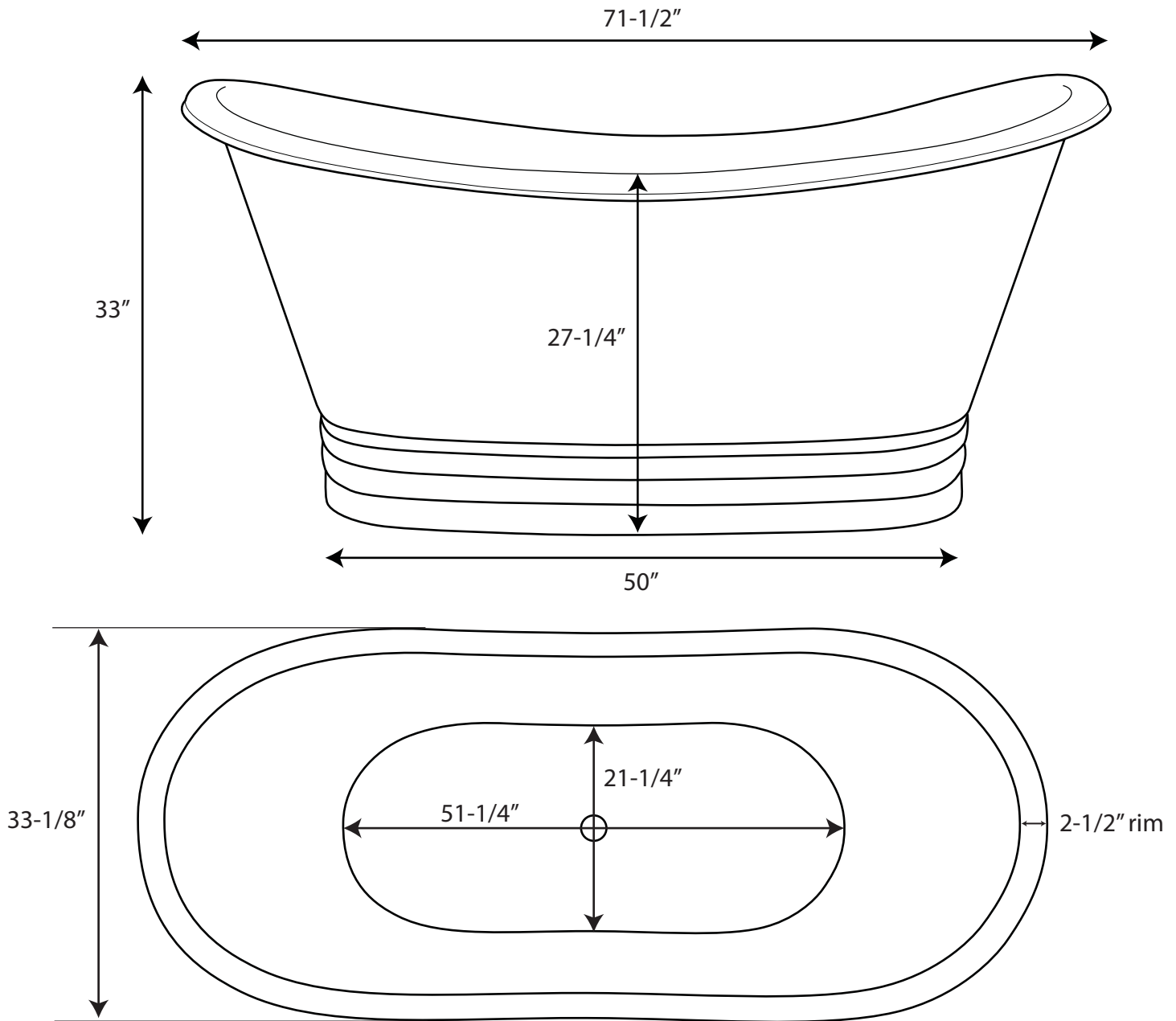


Anastasia Double Slipper Mosaic Copper Air Bath Tub - Nickel Interior

Tub Dimensions: 71-1/2" L x 33-1/8" W x 33" H

Water Capacity: 97 gallons

Tub Weight Uncrated: 200 lbs. Tub Weight Crated: 425 lbs.



Water depth to overflow is 20-1/2" H.
All measurements are approximate.
Measurements may vary +/- 1/2".