

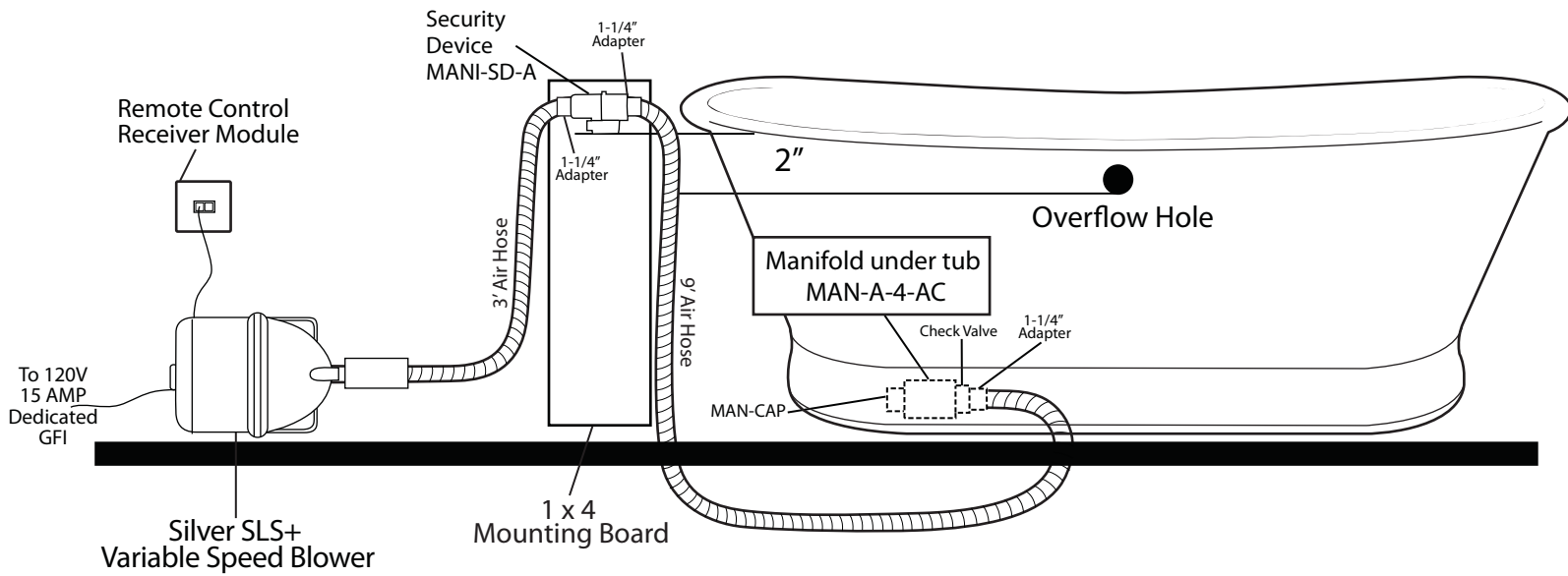
INSTALLATION INSTRUCTIONS

70" Thaine Copper Double Slipper Air Bath Tub

- Install so that the security device, MANI-SD-A, is at least 2" above the bottom of the overflow hole.

Components List:

- BM-TWP Ball Check Valve Jets
- MANI-SD-A Security Device
- MAN-A-4-AC Manifold
- Silver SLS+ Variable Speed Blower



Inside of Bath

Features:

- (12) Maxi Air Jets with 24 openings



Elbows for air jets

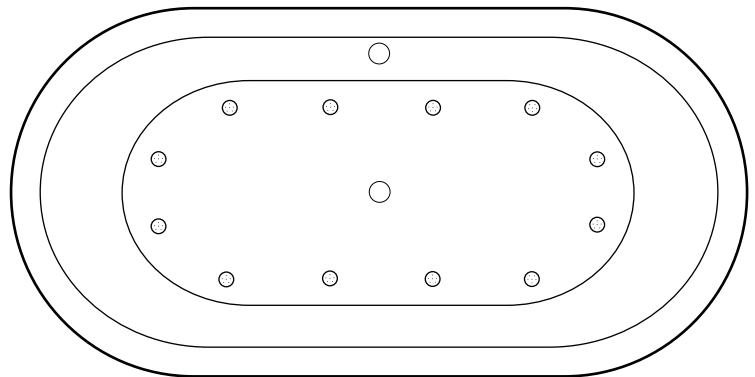


Tees for air jets

- Remote Control CG+/RTC-SENSOR-WP



12-15 year battery life



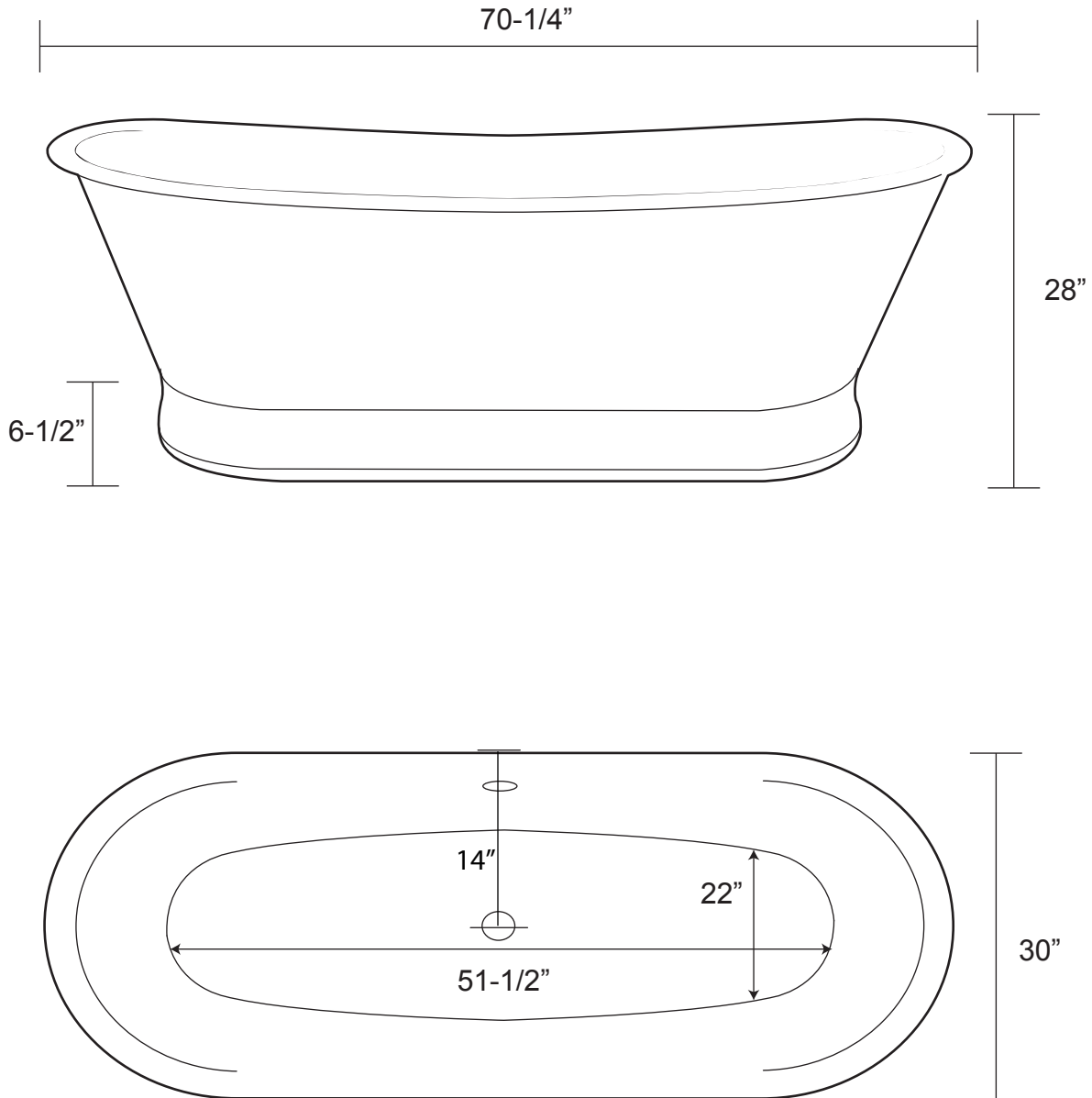
70" Thaine Copper Double Slipper Air Bath Tub

Medium Antique Finish Exterior and Shiny Interior

Tub Dimensions: 70-1/4" L x 30" W x 28" H

Tub Weight Uncrated: 110 lbs. Tub Weight Crated: 335 lbs.

Water Capacity: 74 Gallons



Overflow hole to floor is 20".

Water depth to overflow is 15" H.

Overflow hole is 1-1/2" diameter.

Tub rim is 2-1/2" wide.

All measurements are approximate. Measurements may vary +/- 1/2".