

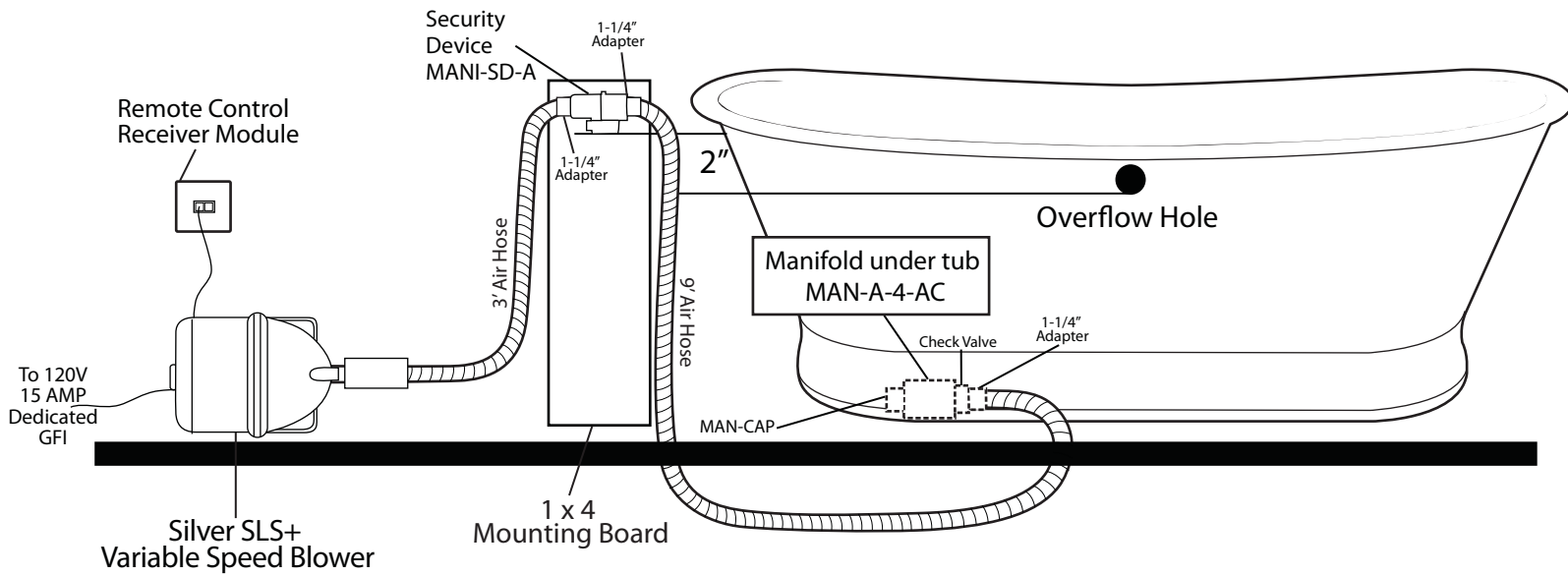
INSTALLATION INSTRUCTIONS

69" Lola Double Slipper Copper Air Bath Tub with Nickel Interior on Plinth

- Install so that the security device, MANI-SD-A, is at least 2" above the bottom of the overflow hole.

Components List:

- BM-TWP Ball Check Valve Jets
- MANI-SD-A Security Device
- MAN-A-4-AC Manifold
- Silver SLS+ Variable Speed Blower



Inside of Bath

Features:

- (12) Maxi Air Jets with 24 openings



Elbows for air jets

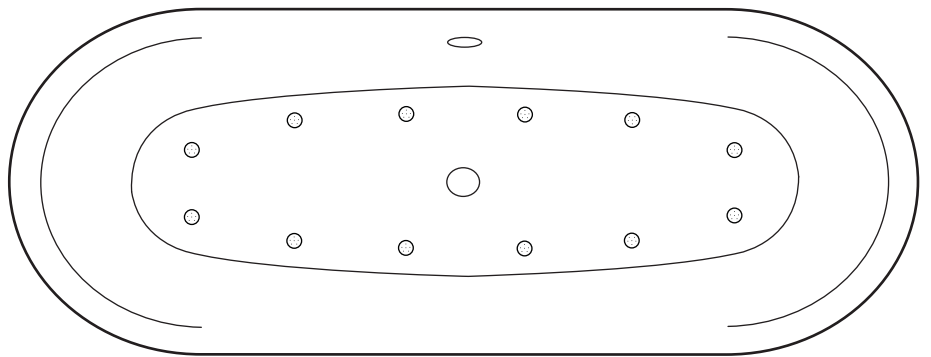


Tees for air jets

- Remote Control CG+/RTC-SENSOR-WP



12-15 year battery life



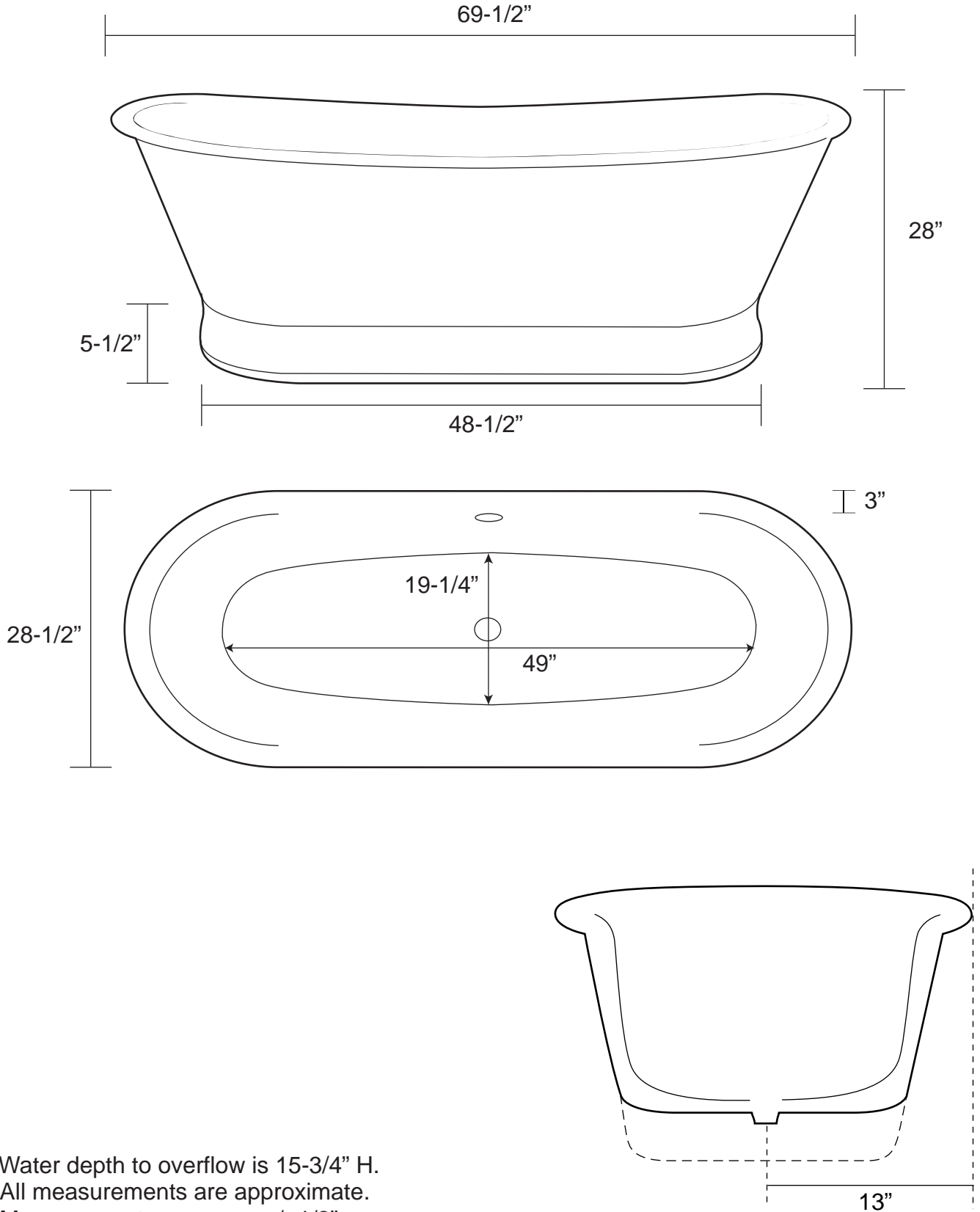
69" Lola Double Slipper Copper Air Bath Tub with Nickel Interior on Plinth

Medium Antique Finish Exterior and Nickel Interior

Tub Dimensions: 69-1/2" L x 28-1/2" W x 28" H

Tub Weight Uncrated: 110 lbs. Tub Weight Crated: 335 lbs.

Water Capacity: 64 Gallons



Water depth to overflow is 15-3/4" H.
All measurements are approximate.
Measurements may vary +/- 1/2".