

Viking Installation Guide



Viking Range Corporation

111 Front Street

Greenwood, Mississippi 38930 USA

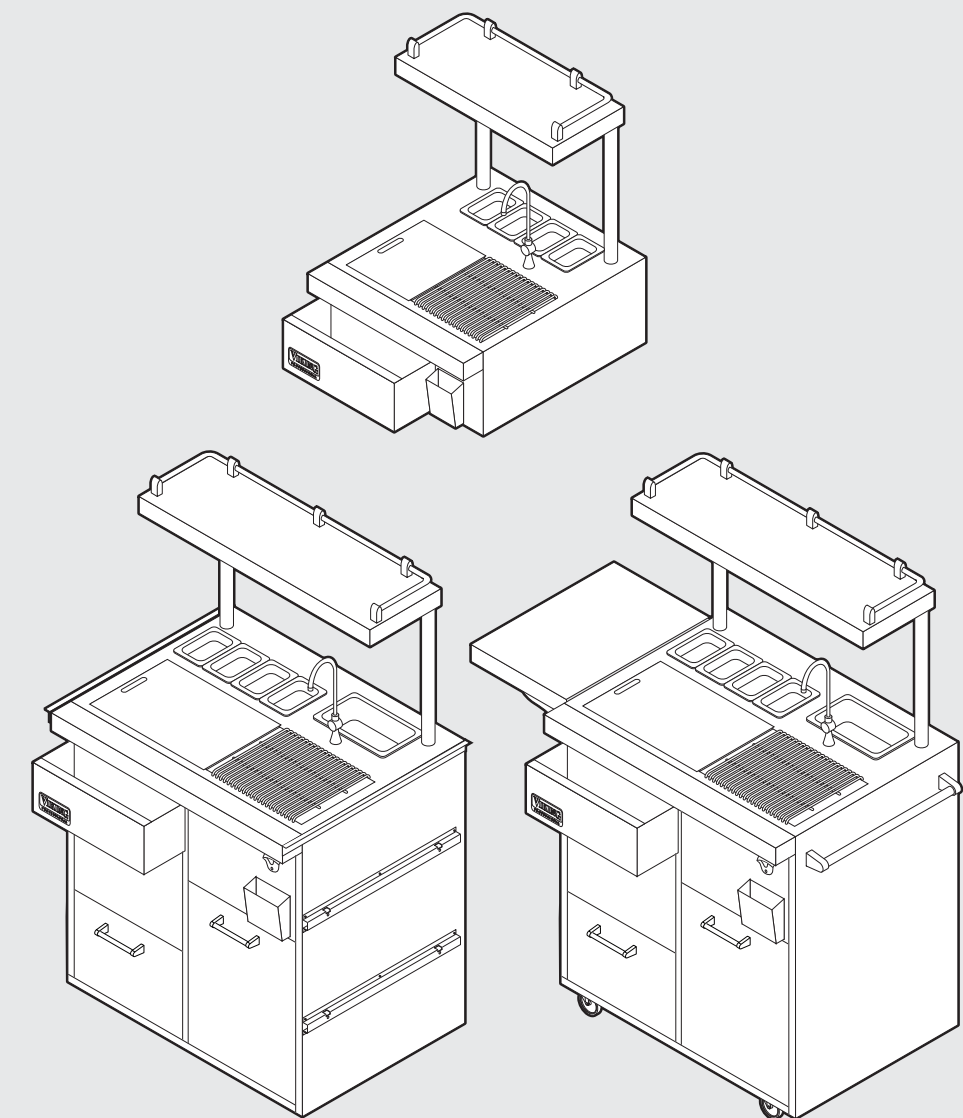
(662) 455-1200

For product information,

call 1-888-VIKING1 (845-4641)

or visit the Viking Web site at

vikingrange.com



Outdoor Refreshment Stations

Table of Contents

Important Please Read and Follow _____	3
General Information _____	3
Unpacking/Top Assembly Instructions _____	3
Dimensions (VBRS241) _____	4
Dimensions (VRSB410) _____	5
Dimensions (VPRS411) _____	6
Specifications _____	7
Cutout Dimensions _____	8
Toe Kick Installation _____	9
Side Panel Installation _____	9
Back Panel Installation _____	10
Optional Hard Plumbing Installation _____	11
Service & Registration _____	12
Warranty _____	13

IMPORTANT— Please Read and Follow

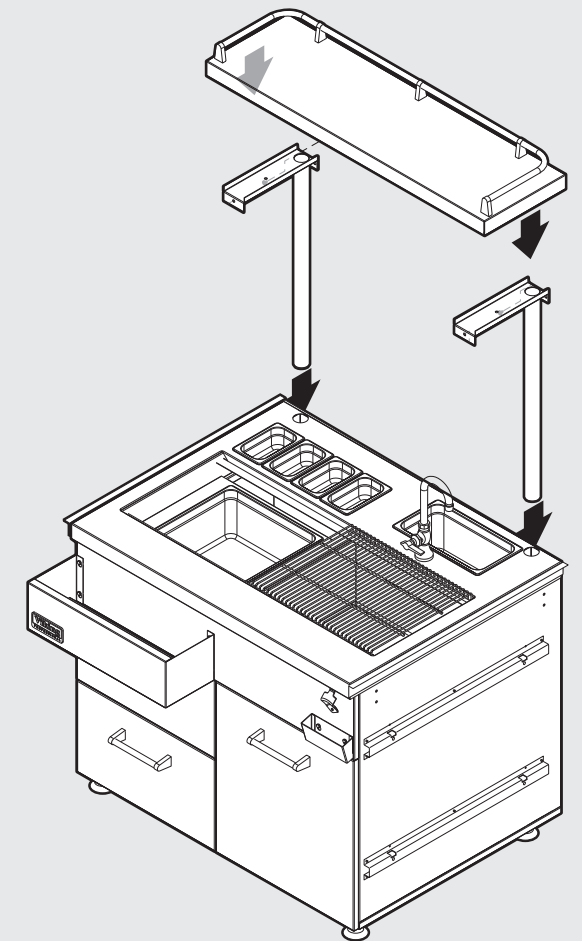
- Before beginning, please read these instructions completely and carefully.
- Do not remove permanently affixed labels, warnings, or plates from the product. This may void the warranty.
- The installer should leave these instructions with the consumer for future reference.

General Information

- This unit is self-contained with a removable water waste collection container. If using a water hose connection, it is recommended that a hose made of a USFDA approved material for food contact be used. These can be easily purchased at any marine or camper supply store. Also, the consumer has the option of hard plumbing if desired. See "Optional Instructions for Hard Plumbing Installation".

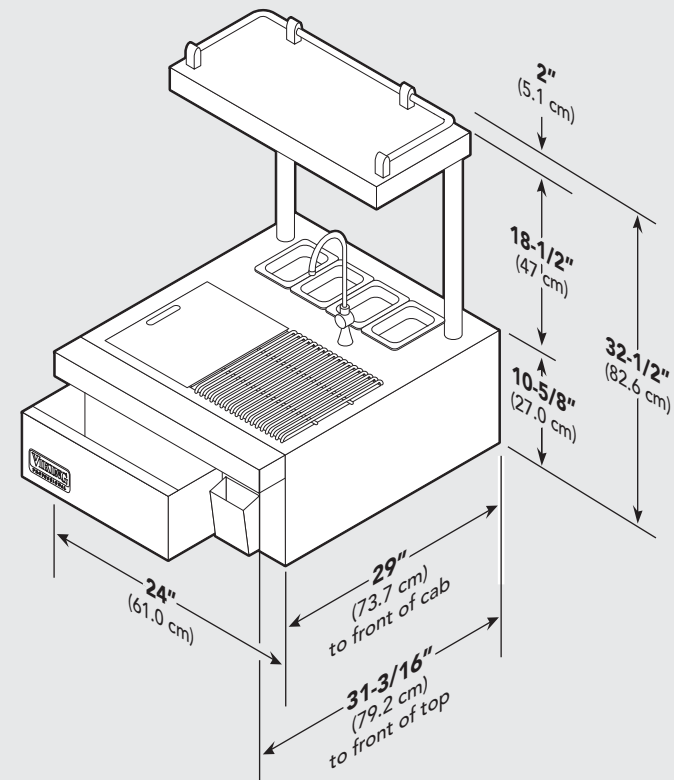
Unpacking/Top Assembly Instructions

1. Remove all components from packaging.
2. Refer to illustration below for reference.
3. First install each shelf support into openings on top of the main unit. Make sure each shelf support slides all the way to the bottom when installing in the openings.
4. Take the top shelf and place over the installed shelf supports.
5. Line up the appropriate screw holes. Tighten screws until snug.



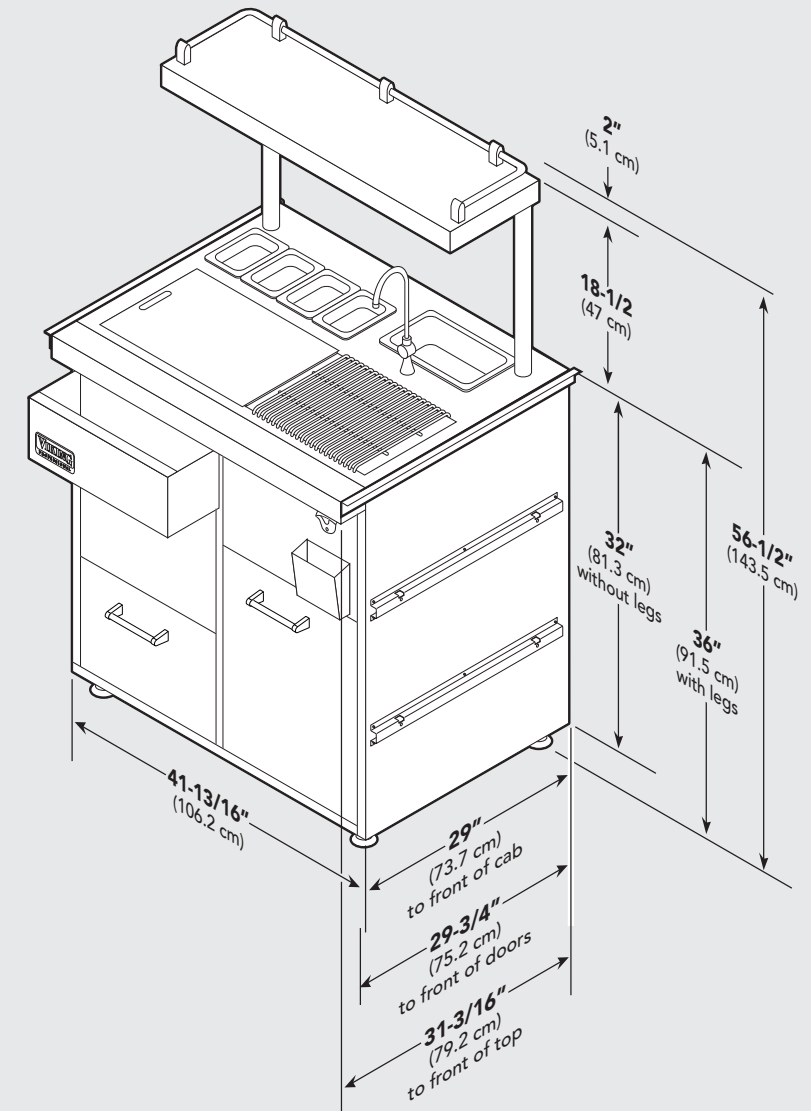
Dimensions

VBRS241 24"W. Built In Refreshment Station



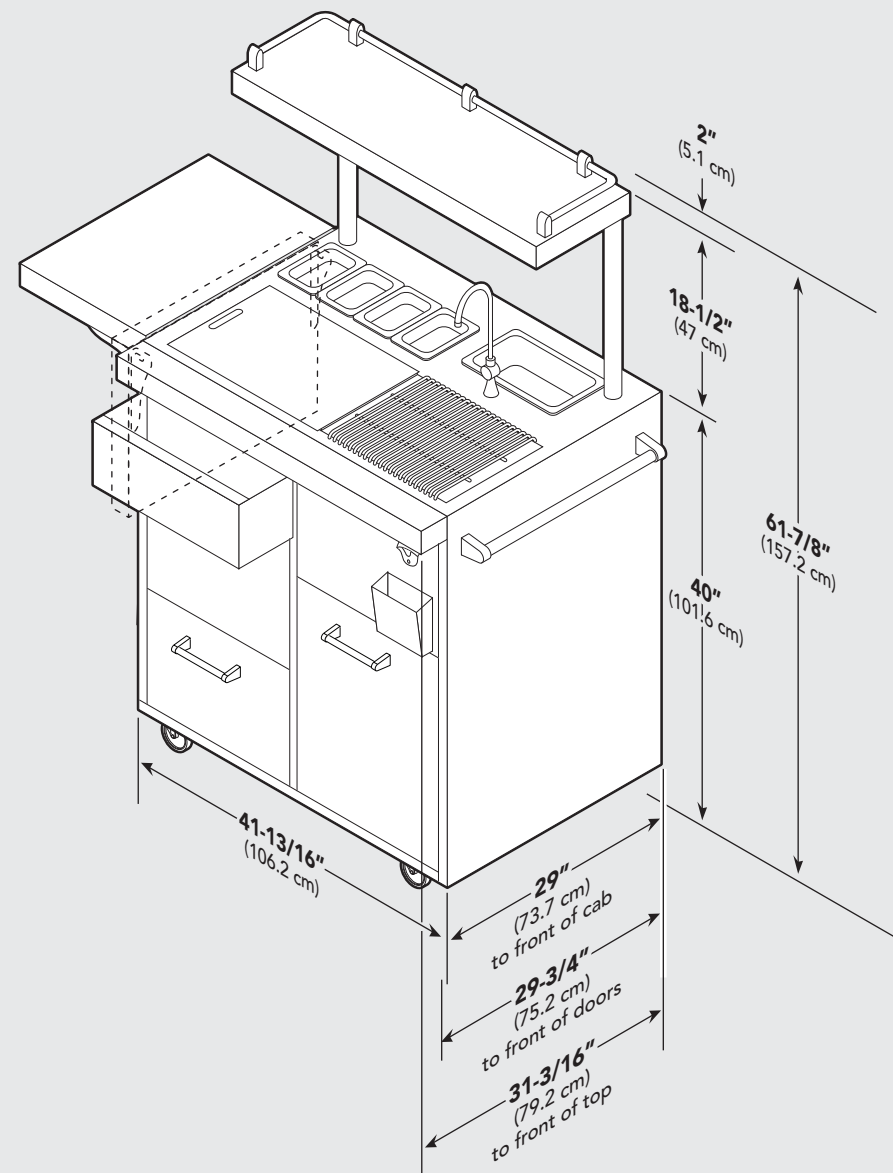
Dimensions

VRSB410 41"W. Built In Refreshment Station



Dimensions

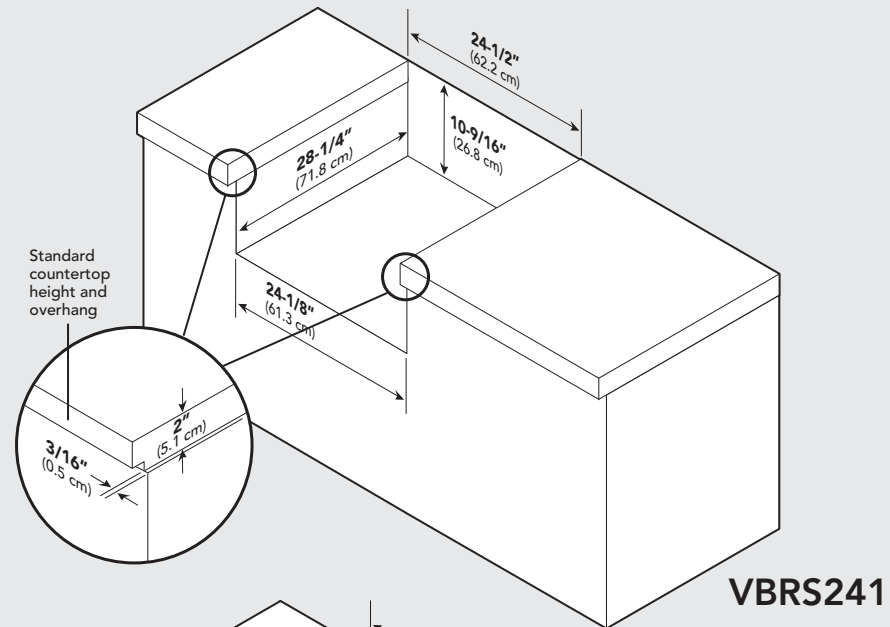
VPRS411 41"W. Portable Refreshment Station



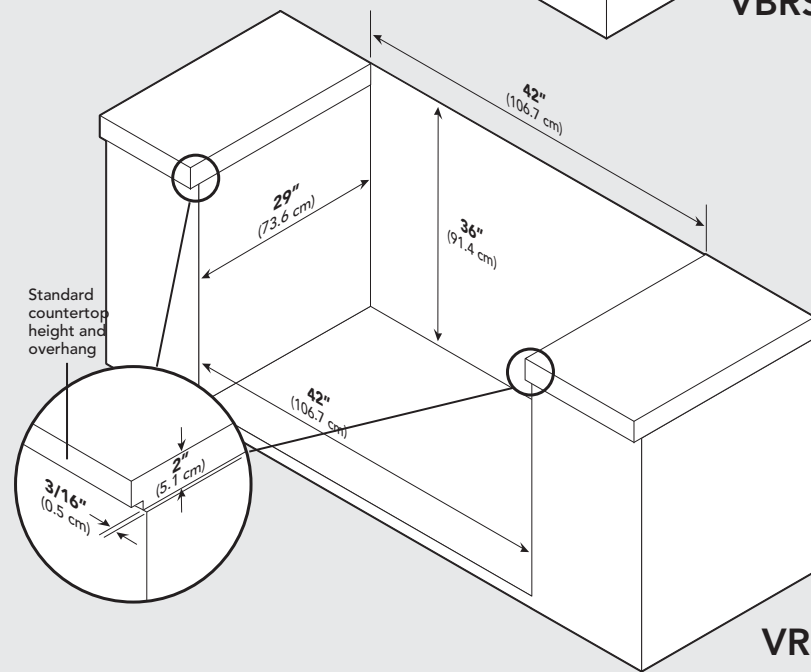
Specifications

Refreshment Stations			
Description	VBR5241	VRSB410	VPRS411
Overall width	24" (61.0 cm)	41"-13/16" (104.1 cm)	
Overall depth to end of landing ledge	32-1/2" (82.5 cm)	31-13/16" (80.8 cm)	
Overall height to top of landing ledge	10-5/8" (27.0 cm)	36" (91.4 cm) includes legs	36" (91.4 cm) including casters
Overall height to high shelf	30-1/2" (77.5 cm)	56-1/2" (143.5 cm) includes legs	61-7/8" (157.2 cm) including casters
Cutout width	24-1/2" (62.2 cm) upper 24" (61.0 cm) lower	42" (106.7 cm)	N/A
Cutout height	10-9/16" (26.8 cm)	36" (91.4 cm) includes legs	N/A
Cutout depth	28-3/8" (72.1 cm)	29" (73.7 cm)	N/A
Approximate shipping weight	82 lb. (36.9 kg)	305 lb. (137.3 kg)	317 lb. (142 kg)

Cutout Dimensions



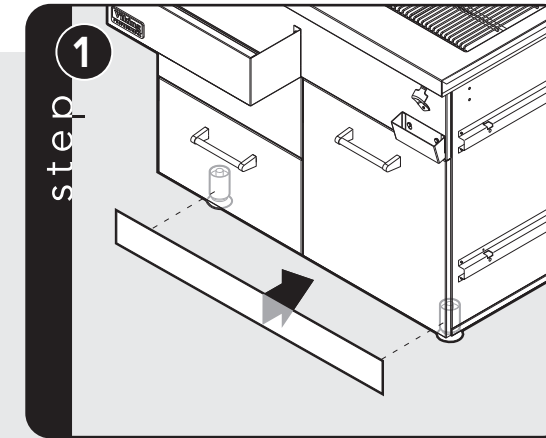
VBR241



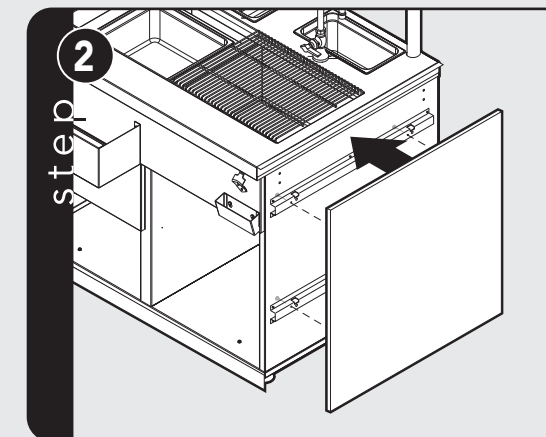
VRSB410

	VBR241	VRSB410	VPRS411
Cutout width			
Upper	24-1/2" (62.2 cm)	42" (106.7 cm)	N/A
Lower	24-1/8" (61.3 cm)	42" (106.7 cm)	N/A
Cutout height	10-9/16" (26.8 cm)	36" (91.4 cm)	N/A
Cutout depth	28-1/4" (71.8 cm)	29" (73.6 cm)	N/A

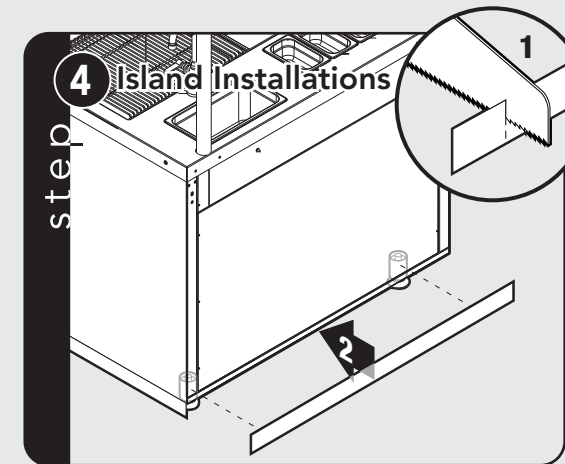
(VRSB410 Only) Toe Kick Installation



Snap toe kick to front legs.

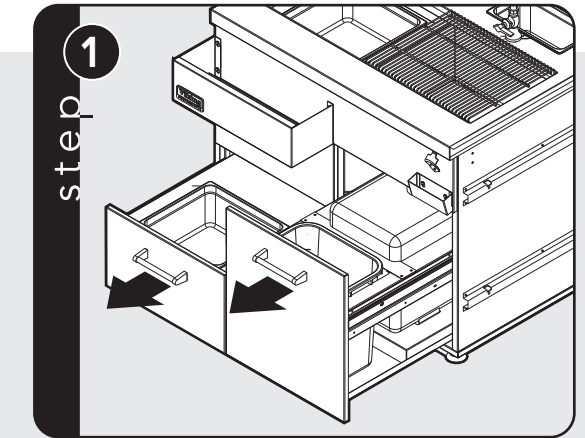


Remove all protective covering from panel and install using tek screws.

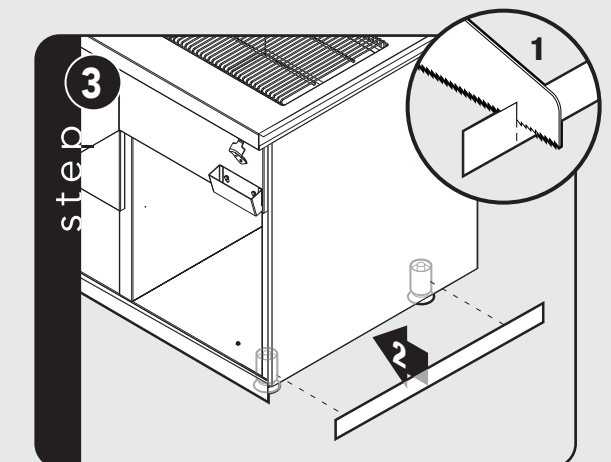


The rear toe kick must be modified.

Side Panel Installation



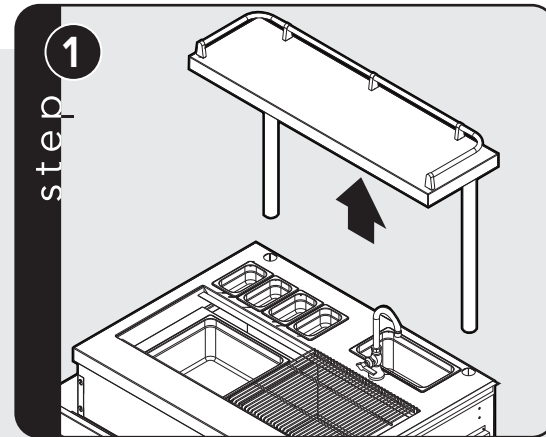
Remove drawers.



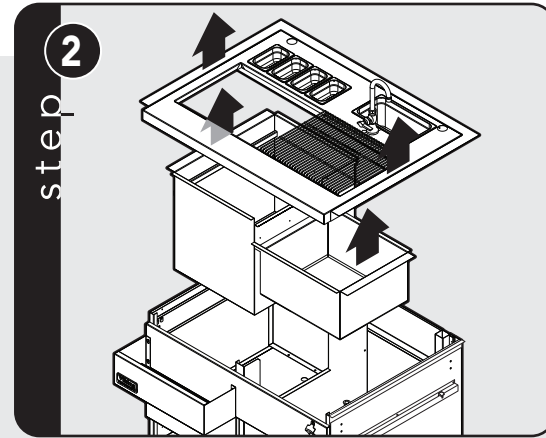
The front portion of the side toe kick must be shortened to match the front toe kick.
Note: The plastic material can be cut with any common type wood saw blade.

	Wall Installation	Island Installation
Front Toe Kick	42" (106.7 cm)	42" (106.7 cm)
Side Toe Kick	29-1/8" (74 cm)	29-1/8" (74 cm)
Rear Toe Kick	N/A	42" (106.7 cm)

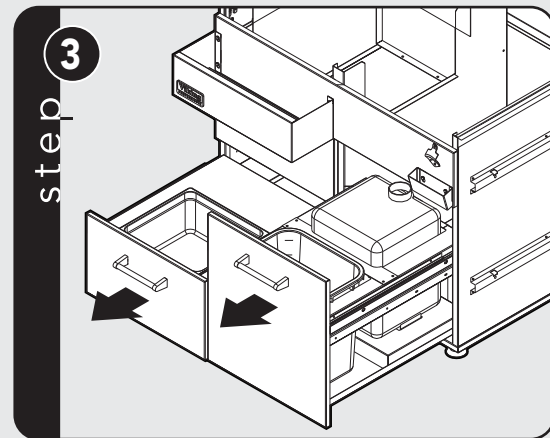
(VRSB410 Only)
Back Panel Installation



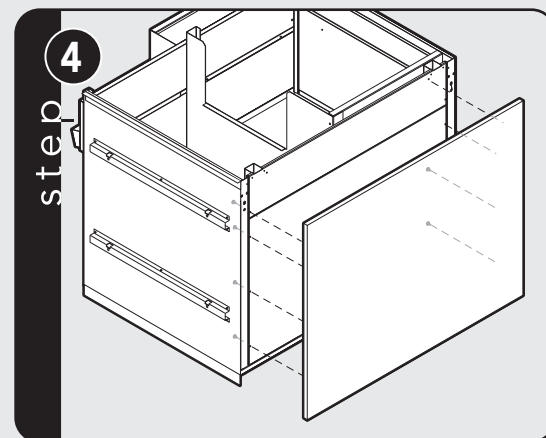
Remove Top Assembly.



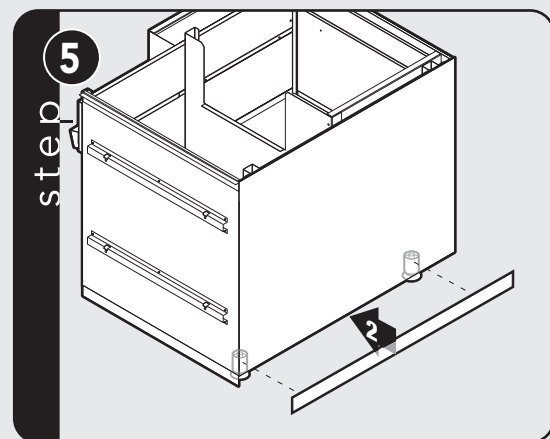
Remove upper assembly.



Remove drawers.

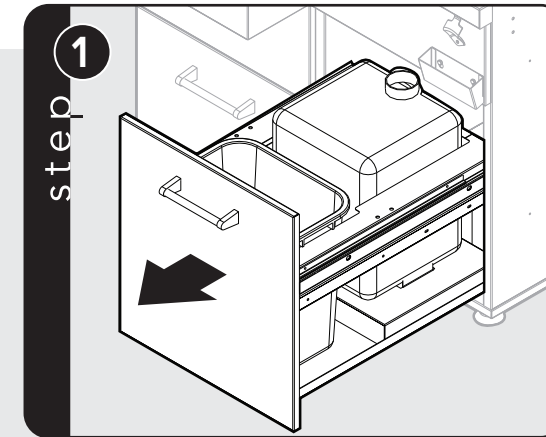


Remove all protective covering from panel and install using the #10 x 1/2" tek screws provided.

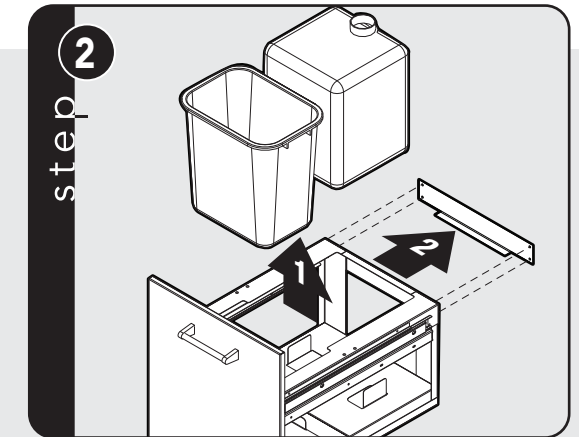


Attach rear toe kick to legs. Reassemble refreshment station.

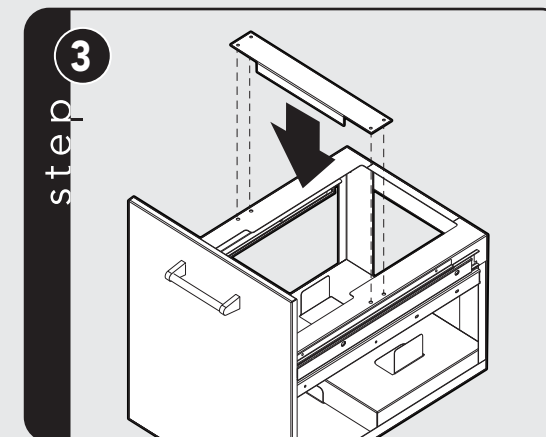
Optional Hard Plumbing Installation



Remove water collection drawer.



Remove waste basket and waste water collection container. Unscrew back support piece. Unscrew and remove water container base support



Align appropriate holes and attach back support across the top of the drawer. Install plumbing according to local codes.

Service & Registration

Only authorized replacement parts may be used in performing service on the appliance. All servicing should be referred to a qualified technician.

Contact Viking Range Corporation, 1-888-VIKING1 (845-4641), for the nearest service parts distributor in your area or write to:

**VIKING RANGE CORPORATION
PREFERRED SERVICE
1803 Hwy 82W
Greenwood, Mississippi 38930 USA**

The serial number and model number for your appliance can be found inside (trash/waste drawer) on right hand wall.

Record the following information indicated below. You will need it if service is ever required.

Model number _____

Serial number _____

Date of purchase _____

Date installed _____

Dealer's name _____

Address _____

**These installation instructions should remain with the unit
for future reference.**

Warranty

PROFESSIONAL SERIES OUTDOOR REFRESHMENT STATION WARRANTY

Outdoor refreshment stations and all of their component parts, except as detailed below*, are warranted to be free from defective materials or workmanship in normal household use for a period of twelve (12) months from the date of original retail purchase. Viking Range Corporation, warrantor, agrees to repair or replace, at its option, any part which fails or is found to be defective during the warranty period.

*Decorative items are warranted to be free from defective materials or workmanship for a period of ninety (90) days from the date of original retail purchase. ANY DEFECTS MUST BE REPORTED TO THE SELLING DEALER WITHIN NINETY (90) DAYS FROM DATE OF ORIGINAL RETAIL PURCHASE.

LIFETIME LIMITED WARRANTY

Any stainless steel part which rusts through due to defective materials or workmanship in normal household use during the second through the useful lifetime of the grill from the date of original retail purchase will be repaired or replaced, free of charge for the part itself, with the owner paying all other costs, including labor.

This warranty extends to the original purchaser of the product warranted hereunder and to each transferee owner of the product during the term of the warranty.

This warranty shall apply to products purchased and located in the United States and Canada. Products must be purchased in the country where service is requested. Warranty labor shall be performed by an authorized Viking Range Corporation service agency or representative. Warranty shall not apply to damage resulting from abuse, accident, natural disaster, loss of electrical power to the product for any reason, alteration, outdoor use, improper installation, improper operation, or repair or service of the product by anyone other than an authorized Viking Range Corporation service agency or representative. This warranty does not apply to commercial usage. Warrantor is not responsible for consequential or incidental damage whether arising out of breach of warranty, breach of contract, or otherwise. Some jurisdictions do not allow the exclusion or limitation of incidental or consequential damages, so the above limitation or exclusion may not apply to you.

Owner shall be responsible for proper installation, providing normal care and maintenance, providing proof of purchase upon request, and making the appliance reasonably accessible for service. If the product or one of its component parts contains a defect or malfunction during the warranty period, after a reasonable number of attempts by the warrantor to remedy the defects or malfunctions, the owner is entitled to either a refund or replacement of the product or its component part or parts. Warrantor's liability on any claim of any kind, with respect to the goods or services covered hereunder, shall in no case exceed the price of the goods or service or part thereof which gives rise to the claim.

WARRANTY SERVICE: Under the terms of this warranty, service must be performed by a factory authorized Viking Range Corporation service agent or representative. Service will be provided during normal business hours, and labor performed at overtime or premium rates shall not be covered by this warranty. To obtain warranty service, contact the dealer from whom the product was purchased, an authorized Viking Range Corporation service agent, or Viking Range Corporation. Provide model and serial number and date of original purchase. For the name of your nearest authorized Viking Range Corporation service agency, call the dealer from whom the product was purchased or Viking Range Corporation. **IMPORTANT:** Retain proof of original purchase to establish warranty period.

The return of the Owner Registration Card is not a condition of warranty coverage. You should, however, return the Owner Registration Card so that Viking Range Corporation can contact you should any question of safety arise which could affect you. Any implied warranties of merchantability and fitness applicable to the above described stainless steel parts are limited in duration to the period of coverage of the applicable express written limited warranties set forth above. Some jurisdictions do not allow limitations on how long an implied warranty lasts, so the above limitation may not apply to you. This warranty gives you specific legal rights, and you may also have other rights which may vary from jurisdiction to jurisdiction.

Specifications subject to change without notice.

