



# OUTDOOR—REFRESHMENT

## 24"W. Built-In & 41"W. Built-In/Portable Refreshment Stations



### Standard Features & Accessories

#### All models include

- Agency-certified for outdoor use
- High shelf ideal for storing various shapes of serving glasses and stemware.
  - Guardrail keeps glass from falling off backside.
- Commercial-style appearance/design
- Coldwater sink
  - Professional-style faucet
  - Sink can be plugged and used for bottle bath
- Condiment trays—four shallow stainless steel 6"W. x 4"D. bins are dishwasher-safe
- Cutting board and wire grate slide within each other to give you access to the sink/bottle bath at any time

- Insulated bottle bath located under countertop holds large amounts of ice, keeping drinks cold
  - Speed rail holds five standard-sized wine or liquor bottles
  - Bottle opener with cap catch
- #### VBRS/VPRS411 models include
- Bottle bath holds 2 cases of drinks
  - Additional large bin behind sink can hold or "ice" your juice mix, wine bottles, creams, etc. (capacity for 2-liter and 1-gallon containers)
  - Insulated bin (removable) for fresh ice supply slides toward back of unit for access to bottle bath
  - Large-capacity storage drawer protects items against the elements

- Bin can be removed for easy cleanup, and has the same dimensions as the fresh ice bin
- #### VPRS411 model includes
- Pullout trash container (removable)
  - One 16" x 24" fold-down side shelf (on left, as you face unit)
  - One 41"W. x 9"D. fold-down shelf in back provides additional surface area
  - Four heavy duty casters provide maneuverability as well as stability
  - Wastewater collection container

### Model Options



**VBRS241**  
24"W. Built-In Refreshment Station



**VBRS411**  
41"W. Built-In Refreshment Station



**VPRS411**  
41"W. Portable Refreshment Station

#### FINISH DETAILS FOR ALL MODELS

- Stainless Steel (SS)
  - Finish designates front of cabinets and handles/pulls (with chrome-plated brackets).





# OUTDOOR—REFRESHMENT

## 24"W. Built-In & 41"W. Built-In/Portable Refreshment Stations



★ Please see Installation Notes & Accessories for important information, including covers.

### Dimensions & Specifications

#### PRODUCT DIMENSIONS



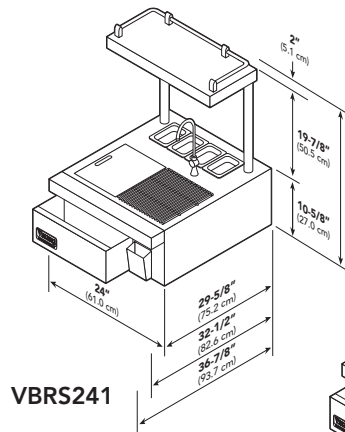
**VBR5241**  
24"W. Built-In Refreshment Station



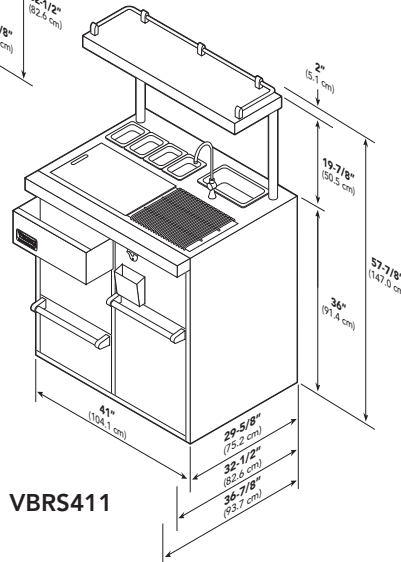
**VBR5411**  
41"W. Built-In Refreshment Station



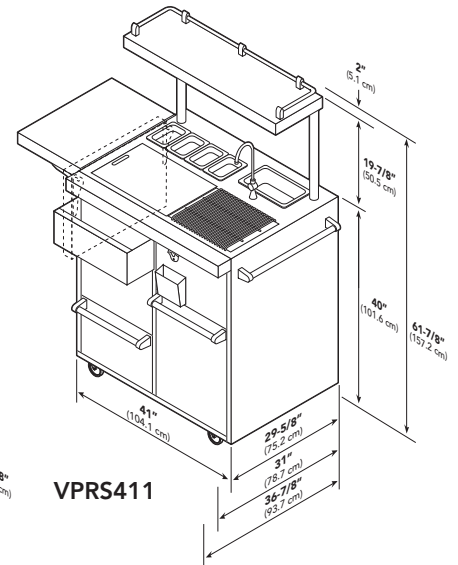
**VPRS411**  
41"W. Portable Refreshment Station



**VBR5241**



**VBR5411**



**VPRS411**

	<b>VBR5241</b>	<b>VBR5411</b>	<b>VPRS411</b>
Overall width	24" (61.0 cm)	41" (104.1 cm)	41" (104.1 cm)
With side shelf extended	N/A	N/A	57" (144.8 cm)
Overall height			
To top of landing ledge	10-5/8" (27.0 cm)	36" (91.4 cm)	40" (101.6 cm)
To top of high shelf	30-1/2" (77.5 cm)	55-7/8" (141.9 cm)	59-7/8" (152.1 cm)
Overall depth			
To end of landing ledge	32-1/2" (82.5 cm)	32-1/2" (82.5 cm)	31" (78.7 cm)
With back shelf extended	N/A	N/A	40" (101.6 cm)
Approx. ship wt. lbs. (kg)	82 (36.9)	305 (137.6)	317 (142.0)





# OUTDOOR—REFRESHMENT

## 24"W. Built-In & 41"W. Built-In/Portable Refreshment Stations



### Dimensions & Specifications

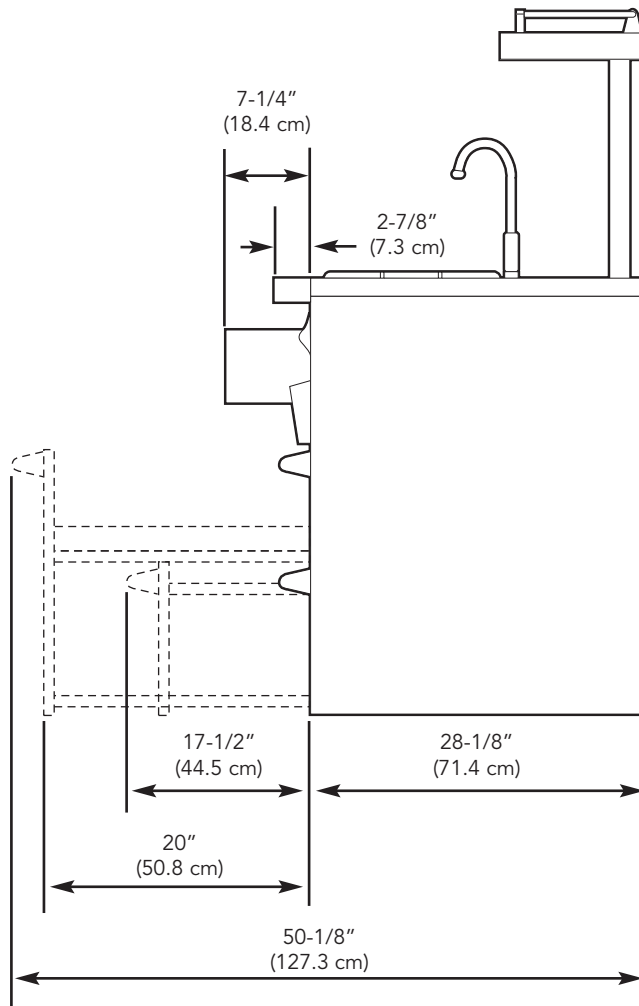
#### DOOR SWING



**VBRS411**  
41"W. Built-In  
Refreshment Station



**VPRS411**  
41"W. Portable  
Refreshment Station





### UTILITY REQUIREMENTS



**GAS**  
Not applicable



**ELECTRICAL**  
Not applicable



**PLUMBING**

- Install plumbing according to local codes
- Viking recommends using a hose made of USFDA material for food (for sale at any marine or camper supply store)

## Installation Requirements

### ACCESS REQUIREMENTS



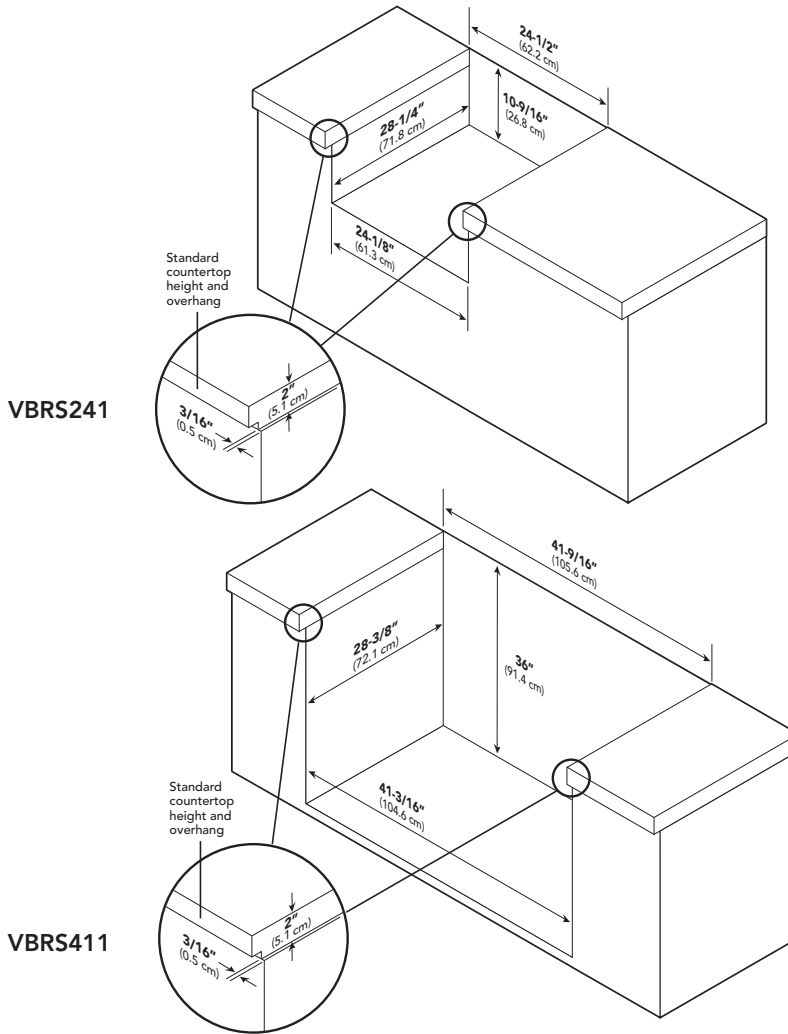
**VBR241**  
24"W. Built-In Refreshment Station



**VBR411**  
41"W. Built-In Refreshment Station



**VPR411**  
41"W. Portable Refreshment Station



	VBR241	VBR411	VPR411
Cutout width			
Upper	24-1/2" (62.2 cm)	41-9/16" (105.6 cm)	N/A
Lower	24-1/8" (61.3 cm)	41-3/16" (104.6 cm)	N/A
Cutout height	10-9/16" (26.8 cm)	36" (91.4 cm)	N/A
Cutout depth	28-1/4" (71.8 cm)	28-3/8" (72.1 cm)	N/A



# OUTDOOR—REFRESHMENT

## 24"W. Built-In & 41"W. Built-In/Portable Refreshment Stations



### ✦ Installation Notes & Accessories

#### Stainless Steel Cabinetry-Base

- Stainless Steel (SS)

Model	Description	Approx. ship wt. lbs. (kg)
VBBO2602	Base for portable refreshment station	160 (72.6)

#### Vinyl Cover

- For VPRS Refreshment Station
- Heavy-duty, reinforced, marine-grade vinyl exterior; felt-lined interior for protection

Model	Description	Approx. ship wt. lbs. (kg)
CV41RC-P	Cover for portable refreshment station	1 (0.5)

#### Compliance Information



#### WARRANTY SUMMARY\*

- One-year full warranty—complete product
- Lifetime limited warranty—rust through on all stainless steel components
- Ninety-day limited warranty—cosmetic parts such as glass, painted, and decorative items

\* For complete warranty see *Use & Care Guide*. Warranty valid on Viking products shipped within the United States and Canada.

