



# REFRIGERATION

## Freestanding 36"W. French-Door Bottom-Mount Refrigerator/Freezer with Ice and Water Dispenser



### Standard Features & Accessories

#### Models include

- Total capacity—19.8 cu. ft. (560 L)
- 70"H./24"D.
- "Cabinet depth" design (24"D. side panels) integrates with surrounding cabinetry—fit for replacement of most existing appliances
- Electronic controls with LCD display
- Frost-free refrigerator
  - o Capacity—14.8 cu. ft. (419 L)
  - o Three slide-out adjustable tempered glass spillproof shelves
  - o One small stationary glass shelf
  - o Temperature adjustable Meat Savor™/produce drawer
  - o Two moisture adjustable see-through produce drawers
  - o In-the-door dairy compartment with cover
- o Four large door bins (two bins store gallon containers); two small door bins
- o See-through egg bin with carrier holds up to 24 eggs
- o Glass butter tray with cover
- o Factory-installed automatic ice maker
- Frost-free freezer
  - o Capacity—5.0 cu. ft. (142 L)
  - o Adaptive defrost
  - o Three slide-out baskets
- Ice and water dispenser
  - o Through-the-door dispenser provides cubed ice and chilled water
  - o Easy fill option accommodates large containers
- o Premium water filter provides cleaner water supply by filtering bad tastes, odors, sediment and harmful contaminants.
- o LED dispenser lighting can be set to run continuously or to illuminate when room lighting is low
- Open door alarm sounds to warn that door has been ajar for five minutes
- High temperature alarm
- Energy Star Qualified
- CEE Tier I Super Efficient

### Model Options



**VCF136D**  
Professional



**DDFF136D**  
Designer

#### FINISH DETAILS FOR BOTH MODELS

- Stainless Steel (SS)
- Finish code designates door fronts.  
Gray cabinet sides and top (VCF)
- Black cabinet sides and top (DDFF)





# REFRIGERATION

## Freestanding 36"W. French-Door Bottom-Mount Refrigerator/Freezer with Ice and Water Dispenser



★ Please see Installation Notes & Accessories for important information, including water filter, handle, trim and top grille kits.

### Dimensions & Specifications

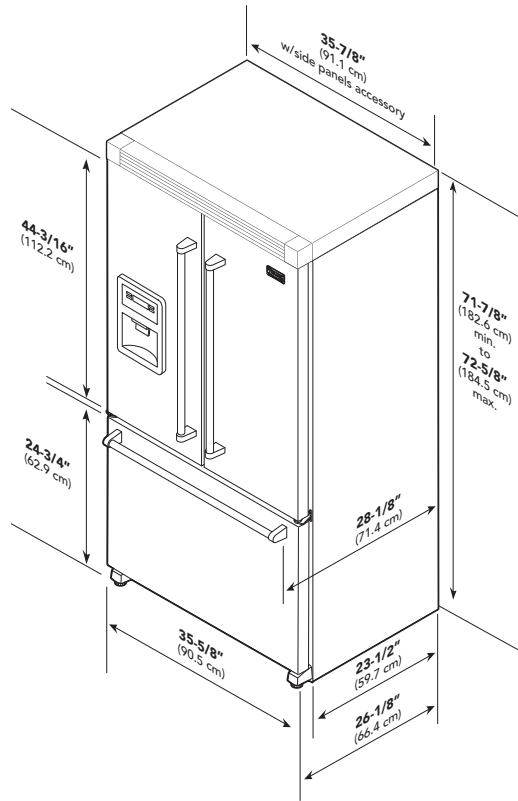
#### PRODUCT DIMENSIONS



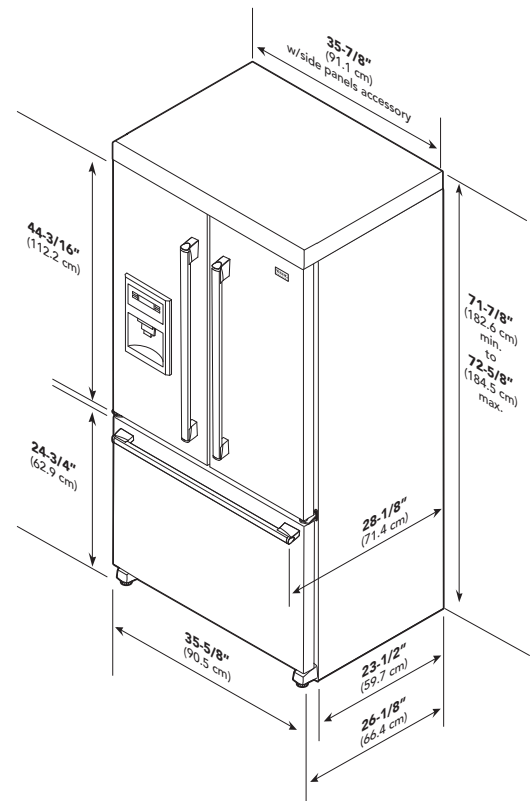
**VCFF136D**  
Professional



**Ddff136D**  
Designer



**PROFESSIONAL**



**DESIGNER**

#### VCFF/DDFF136D

Overall width	<b>35-5/8" (90.5 cm)</b>
Addition of side panels	<b>35-7/8" (91.1 cm)</b>
Overall height (from bottom to top of door)	<b>69-7/8" (177.5 cm)</b>
Addition of tops/grilles	<b>71-7/8" (182.6 cm)</b>
Overall depth (from rear)	
To front of door	<b>26-1/8" (66.3 cm)</b>
To front of handle	<b>28-1/8" (71.4 cm)</b>
Approx. ship weight	<b>327 lbs. (148.7 kg)</b>





# REFRIGERATION

## Freestanding 36"W. French-Door Bottom-Mount Refrigerator/Freezer with Ice and Water Dispenser



### Dimensions & Specifications

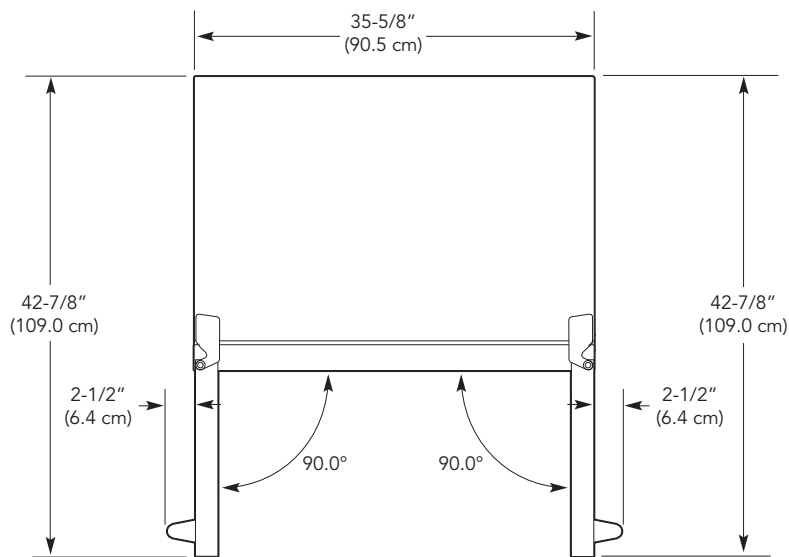
#### DOOR SWING



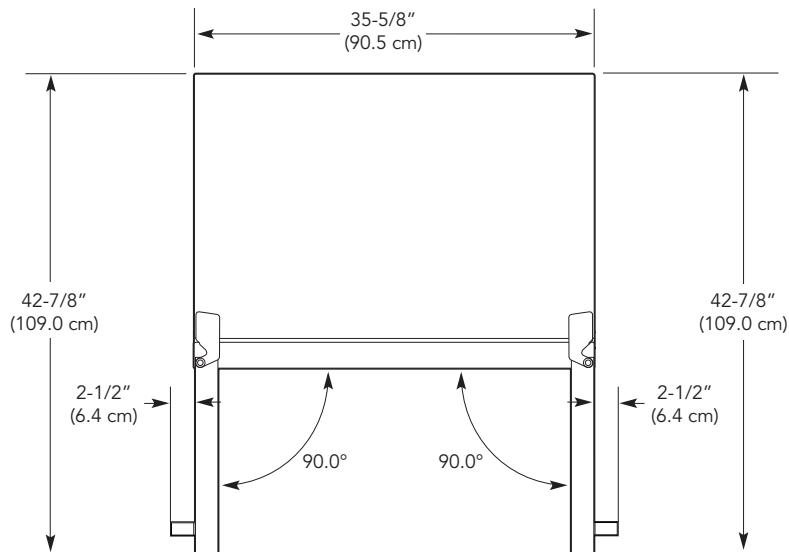
**VCFF136D**  
Professional



**DDFF136D**  
Designer



**PROFESSIONAL**



**DESIGNER**





# REFRIGERATION

## Freestanding 36"W. French-Door Bottom-Mount Refrigerator/Freezer with Ice and Water Dispenser



### UTILITY REQUIREMENTS



**GAS**  
Not applicable



- ELECTRICAL**
- Three-wire cord with grounded three-prong plug attached to product. Do not use an extension cord or adapter plug for a two-prong receptacle—call a qualified electrical installer.
    - o 115V/60 Hz; 15 amp dedicated circuit
    - o Maximum amp usage—10.0
    - o Estimated energy usage—523 kWh/year



- PLUMBING**
- Inlet waterline requirements—1/4" copper tubing
    - o 35 psi min.;
    - o 120 psi max.

## Installation Requirements

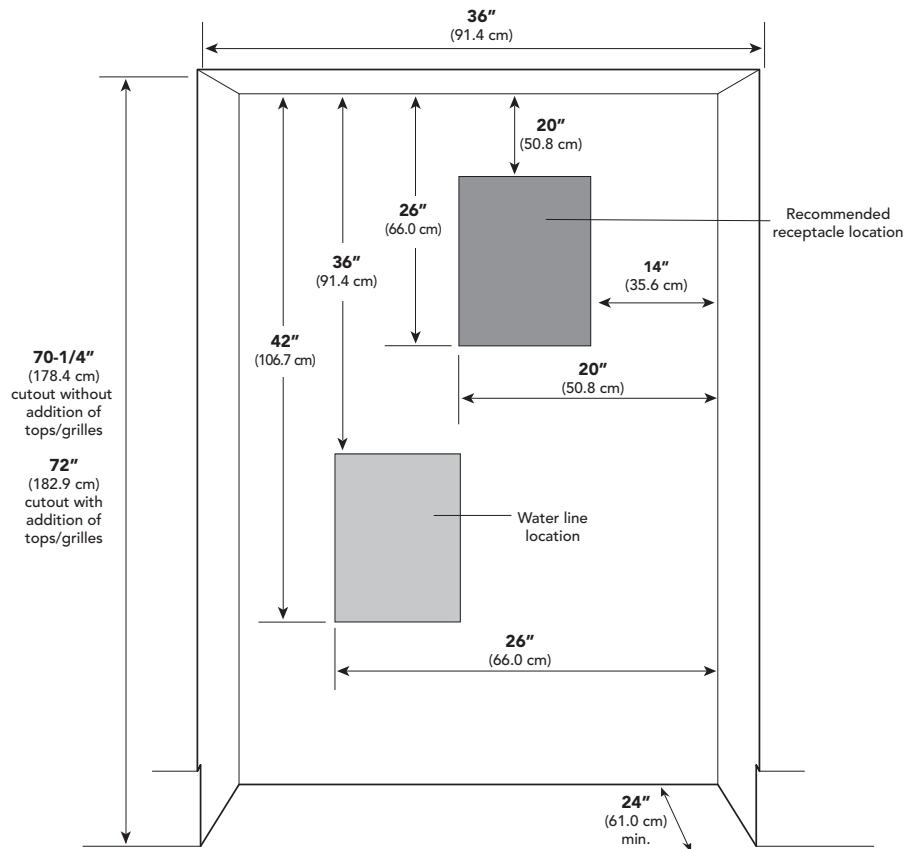
### ACCESS REQUIREMENTS



**VCFF136D**  
Professional



**DDFF136D**  
Designer



When installing into a cutout, the edge of the door must be 2-7/8" (7.3 cm) from the adjacent countertop cabinet.

Allow 1/2" (1.3 cm) space at top and 1/2" (1.3 cm) behind the machine compartment cover (located in the rear) for proper air circulation. Sub-flooring or floor coverings (i.e. carpet, tile, wood floors, rugs) may make your opening smaller than anticipated.

#### All models

Cutout width	<b>36" (91.4 cm)</b>
Cutout height	<b>70-1/4" (178.4 cm)</b>
Addition of tops/grilles	<b>72" (182.9 cm)</b>
Cutout depth	<b>24" (61.0 cm)</b>





# REFRIGERATION

## Freestanding 36"W. French-Door Bottom-Mount Refrigerator/Freezer with Ice and Water Dispenser



### ★ Installation Notes & Accessories

#### Side Trim Kit

- Stainless Steel finish
- Provides "built-in" look when used with a top grille kit

Model	Description	Approx. ship wt. lbs. (kg)
FRSTKFD	French door bottom-mount side trim kit	13 (5.9)

#### Top Grille Kits

- Stainless Steel finish
- Provides "built-in" look when used with a side trim kit; provides "wrapped" look when used with side panel and top kits

Model	Description	Approx. ship wt. lbs. (kg)
PFRGKFD	Professional french door bottom-mount grille kit	10 (4.5)
DFRGKFD	Designer french door bottom-mount grille kit	10 (4.5)

#### Side Panel Kit

- Stainless Steel finish
- Provides "wrapped" look when used with top grille and top kits
- Side panel kits include panels for both sides

Model	Description	Approx. ship wt. lbs. (kg)
FRSPKFD	French door bottom-mount side panel kit	60 (27.0)

#### Top Kit

- Stainless steel finish
- Provides "wrapped" look when used with side panel and top grille kits

Model	Description	Approx. ship wt. lbs. (kg)
FRTOPFD	French door bottom-mount top kit	19 (8.6)

#### Replacement Water Filter

- Replaces water filter cartridges supplied with freestanding refrigerator/freezers
- Reduces sediment, bad taste and odor
- Reduces cysts, particulates, turbidity, lead, chlorine, atrazine and lindane
- NSF certified
- Ready to install—no assembly required

Model	Description	Approx. ship wt. lbs. (kg)
RWF-FR	Replacement water filter	5 (2.3)

#### Compliance Information



#### WARRANTY SUMMARY\*

- Three-year full warranty—complete unit (Professional)
- Two-year full warranty—complete unit (Designer)
- Six-year full warranty—sealed refrigeration system (includes compressor, condenser, dryer/strainer, evaporator, and connecting tubing)
- Twelve-year limited warranty—sealed refrigeration system
- Ninety-day limited warranty—cosmetic parts such as glass, painted items, and decorative items (Professional and Designer)

\*For complete warranty see *Use & Care Guide*. Warranty valid on Viking products shipped within the United States and Canada.

