



Custom & Designer Built-In Electric 27"/30"/36"W. Warming Drawer

Standard Features & Accessories

All models include

- Drawer capacity
 - 27"W. models—1.4 cu. ft.—425 watts
 - 17-1/4"W. x 6"H. x 22-3/4"D.
 - 30"W. models—1.6 cu. ft.—450 watts
 - 20-1/2"W. x 6"H. x 22-3/4"D.
 - 36"W. models—2.0 cu. ft.—550 watts
 - 25"W. x 6"H. x 22-3/4"D.
- Temperature settings 90°F – 250°F
 - Low setting is ideal for platewarming or breadproofing
 - High setting keeps soups and sauces piping hot
- Versatile moisture-selector control regulates the amount of moisture released from drawer (not available on custom front models)
- **Exclusive**—two half-sized low racks
 - Stainless steel low racks with slots for heat distribution
 - Racks cover entire bottom of pan for the largest loads or for only half coverage by removing one section

- **Exclusive**—moisture cup
 - Moisture cup holds water to increase interior humidity
- Entire drawer removes for easy cleaning
- Stainless steel roller bearing glides for smooth drawer operation
- Power on indicator light cycles on and off with heating element

Custom models include

- Commercial-type size, construction, design, and styling
 - Heavy-duty drawer handle and perimeter trim
 - Large, easy-to-read, commercial-type knob (hidden when door is closed)
- Model numbers
 - VEWD527—27"W.
 - VEWD530—30"W.
 - VEWD536—36"W.

Designer models include

- Professional construction and design
 - Styling matches other Designer products
 - Ergonomically designed handle
- Model numbers
 - DEWD102—30"W.

Custom panel models include

- Blends seamlessly into cabinetry with locally supplied front panel
- Accessory options include Professional Series handle, Designer Series handle, or custom handle.
- Model numbers
 - DFWD171—27"W.
 - DFWD101—30"W.

Model Options



VEWD527/530/536
Custom
Warming Drawer

- #### FINISH DETAILS FOR CUSTOM MODELS
- Stainless Steel (SS), Black (BK), White (WH), Metallic Silver (MS), Graphite Gray (GG), Stone Gray (SG), Taupe (TP), Biscuit (BT), Cotton White (CW), Oyster Gray (OG), Golden Mist (GM), Lemonade (LE), Sage (SA), Mint Julep (MJ), Sea Glass (SE), Iridescent Blue (IB), Viking Blue (VB), Pumpkin (PM), Racing Red (RR), Apple Red (AR), Burgundy (BU), Plum (PL), Chocolate (CH), and Cobalt Blue (CB).
 - Finish designates drawer and control panel fronts. Black knob.
 - Door panel matches designated finish. All finishes except white have a black knob.
 - White (WH)
 - White units have a white knob. All finishes have silver finished vertical/horizontal trim, and stainless steel door handles with chrome plated brackets.
 - Brass Accent Option (BR)—nameplate and handle endcaps. Brass components have a durable protective coating for maintenance-free normal use.



DEWD102
Designer
Warming Drawer

- #### FINISH DETAILS FOR DESIGNER MODELS
- Stainless Steel (SS), Black (BK), White (WH), Metallic Silver (MS), Graphite Gray (GG), Stone Gray (SG), Taupe (TP), Biscuit (BT), Cotton White (CW), Oyster Gray (OG), Golden Mist (GM), Lemonade (LE), Sage (SA), Mint Julep (MJ), Sea Glass (SE), Iridescent Blue (IB), Viking Blue (VB), Pumpkin (PM), Racing Red (RR), Apple Red (AR), Burgundy (BU), Plum (PL), Chocolate (CH), and Cobalt Blue (CB).
 - Finish designates door panel, stainless steel knob, and handle. Black knob grips.
 - White (WH)
 - Finish designates door panel, stainless steel knob, and handle. Gray knob grips.



DFWD171/101
Custom Panel
Warming Drawer

- #### FINISH DETAILS FOR CUSTOM PANEL MODELS
- 3/4" thick custom panel
 - See **Installation Notes & Accessories** for handle kits.
 - See **Custom Panels** section for more information and additional specifications.

ORDERING INSTRUCTIONS

First specify model number, and then color code (VEWD527SS). If ordering optional brass accent, specify code at end (VEWD527SSBR).



Custom & Designer Built-In Electric 27"/30"/36"W. Warming Drawer

★ Please see Installation Notes and Accessories for important information, including handle kits and pan/lid set.

Dimensions & Specifications

PRODUCT DIMENSIONS & DOOR SWING



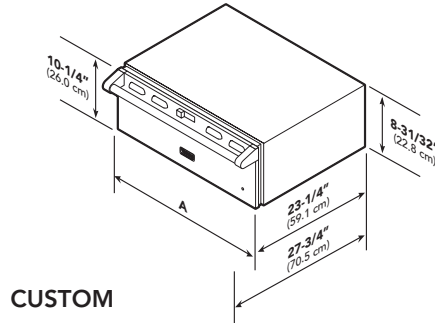
VEWD527/530/536
Custom Warming Drawer



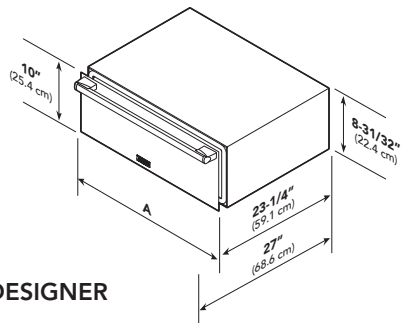
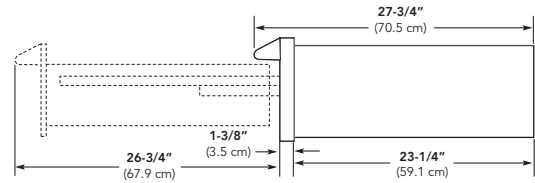
DEWD102
Designer Warming Drawer



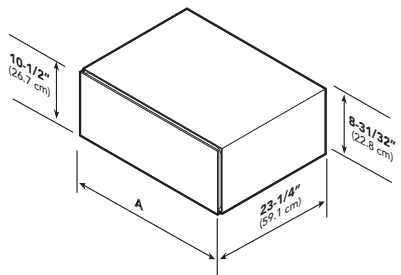
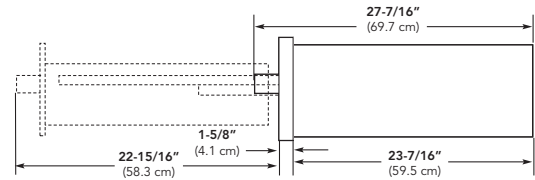
DFWD171/101
Custom Panel Warming Drawer



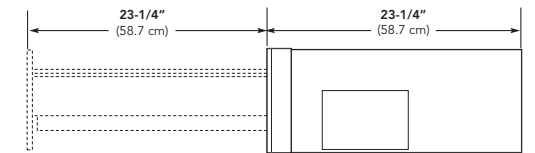
CUSTOM



DESIGNER



CUSTOM PANEL



	VEWD527/530/536	DEWD102	DFWD171/101
Overall width (A)	26-1/2" (67.3 cm)/29-1/2" (74.9 cm)/ 35-3/8" (89.9 cm)	29-1/2" (74.9 cm)	26" (66.0 cm)/ 29" (73.7 cm)
Overall height (from bottom)	10-1/4" (26.0 cm)	10" (25.4 cm)	10-1/2" (26.7 cm)
Overall depth (from rear)			
To end of handle	27-3/4" (70.5 cm)	27-7/16" (69.7 cm)	N/A
With drawer fully extended	51-3/8" (130.5 cm)	50-7/8" (129.2 cm)	46-1/2" (118.1 cm)
Interior width	17-1/4" (43.8 cm)/20-1/2" (52.1 cm)/ 25" (63.5 cm)	20-1/2" (52.1 cm)	17-1/4" (43.8 cm)/ 20-1/2" (52.1 cm)
Interior height		6" (15.2 cm)	
Interior depth		22-3/4" (27.8 cm)	
Approx. ship weight	80 lbs. (36.0 kg)/90 lbs. (40.5 kg)/ 110 lbs. (49.5 kg)	90 lbs. (40.5 kg)	80 lbs. (36.0 kg)/ 90 lbs. (40.5 kg)



Custom & Designer Built-In Electric 27"/30"/36"W. Warming Drawer

UTILITY REQUIREMENTS



GAS
• Not applicable



ELECTRICAL

- Hardwire direct with separate 15-amp minimum 2-wire with ground circuit
- 120 VAC/50 – 60 Hz
- Maximum amp usage—
 - o 27"W. models—3.6 (425 watts)
 - o 30"W. models—3.8 (450 watts)
 - o 36"W. models—4.6 (550 watts)



PLUMBING
Not applicable

Installation Requirements

ACCESS REQUIREMENTS



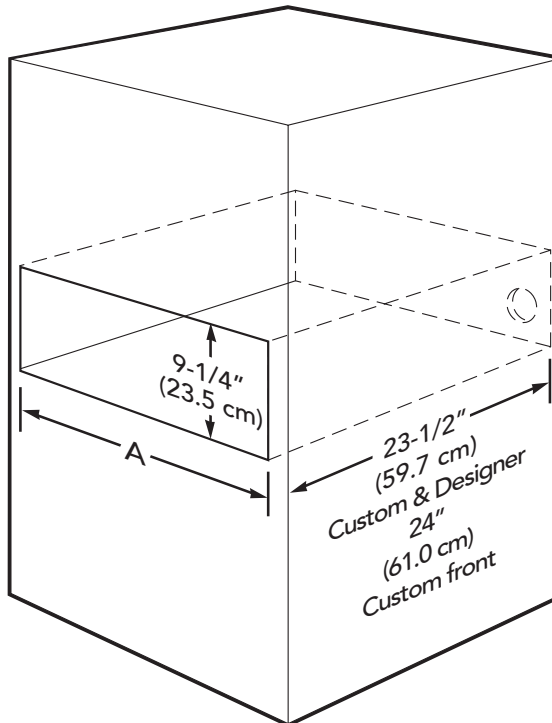
VEWD527/530/536
Custom
Warming Drawer



DEWD102
Designer
Warming Drawer



DFWD171/101
Custom Panel
Warming Drawer



	VEWD527/530/536	DEWD102	DFWD171/101
Cutout width (A)	25-1/4" (64.1 cm)/28-1/4" (71.8 cm)/ 34" (86.4 cm)	28-1/4" (71.8 cm)	25-1/4" (64.1 cm)/ 28-1/4" (71.8 cm)
Cutout height	9-1/4" (23.5 cm)	9-1/4" (23.5 cm)	9-5/8" (24.4 cm)
Cutout depth		23-1/2" (59.7 cm)*	

* Standard Mount - 23-1/2" (59.7 cm)
Flush Mount - 25-1/8" (63.8 cm) Use trim piece included with product.



✪ Installation Notes & Accessories

Handle Kits

- For use with custom panel (DFWD) warming drawers
- For use on locally supplied custom panels
- Handles allow custom panel products to coordinate with other Custom & Designer products
- Kit includes one handle and installation hardware

Model	Description	Approx. ship wt. lbs. (kg)
CHK23-SS	Custom handle for DFWD171/101 (Stainless Steel)	5 (2.3)
DDHK23-SS	Designer handle for DFWD171 (Stainless Steel)	5 (2.3)
DDHK29-SS	Designer handle for DFWD101 (Stainless Steel)	5 (2.3)

Pan/Lid Set

- Five heavy-gauge stainless steel commercial pans with lids
 - Two 2-1/2"D. by 12"L. by 7"W. pans
 - Two 4"D. by 12"L. by 7"W. pans
 - One 4"D. by 12"L. by 10-1/2"W. pan

Model	Description	Approx. ship wt. lbs. (kg)
PAN-VEWD	Pans/lids	10 (4.5)

Compliance Information



WARRANTY INFORMATION*

- Three-year full warranty—complete product (Professional Series)
- One-year full warranty—complete product (Designer Series)
- Five-year limited warranty—electric elements (Professional and Designer)
- Ninety-day limited warranty—cosmetic parts such as glass, painted, and decorative items (Professional and Designer)

*For complete warranty see Use & Care Guide. Warranty valid on Viking products shipped within the United States and Canada.

