

Viking Door Panel Installation



Viking Range Corporation

111 Front Street

Greenwood, Mississippi 38930 USA

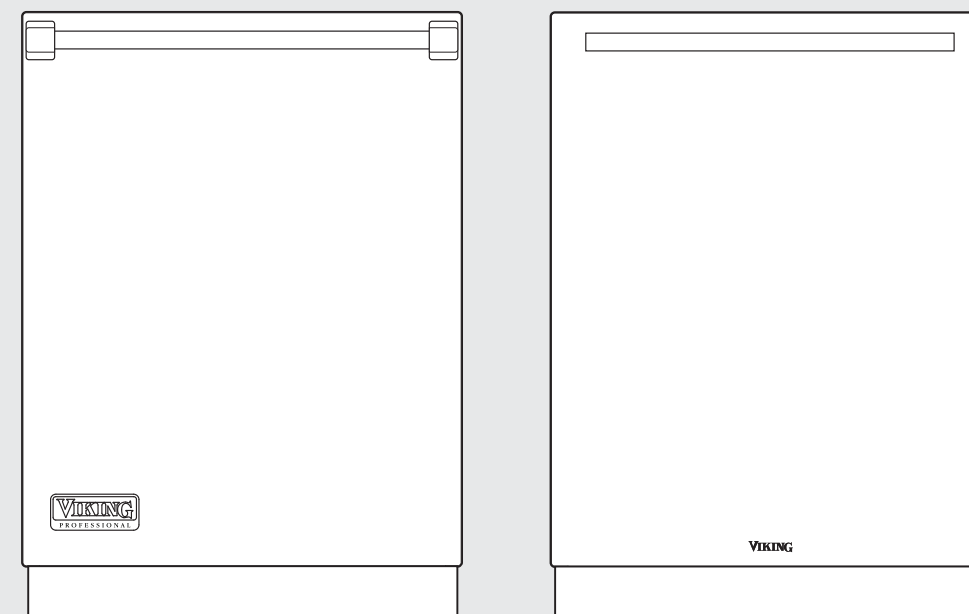
(662) 455-1200

For product information,

call 1-888-VIKING1 (845-4641)

or visit the Viking Web site at

vikingrange.com



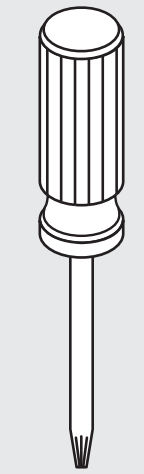
Professional & Designer Series
Dishwasher Door Panel

Door Panel Installation (Professional/Designer)

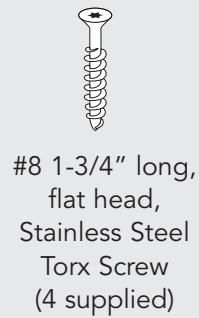
(Purchased Separately)

The unit comes with everything needed to make installing the door panel easy.

What you will need:

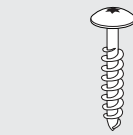


Torx Driver

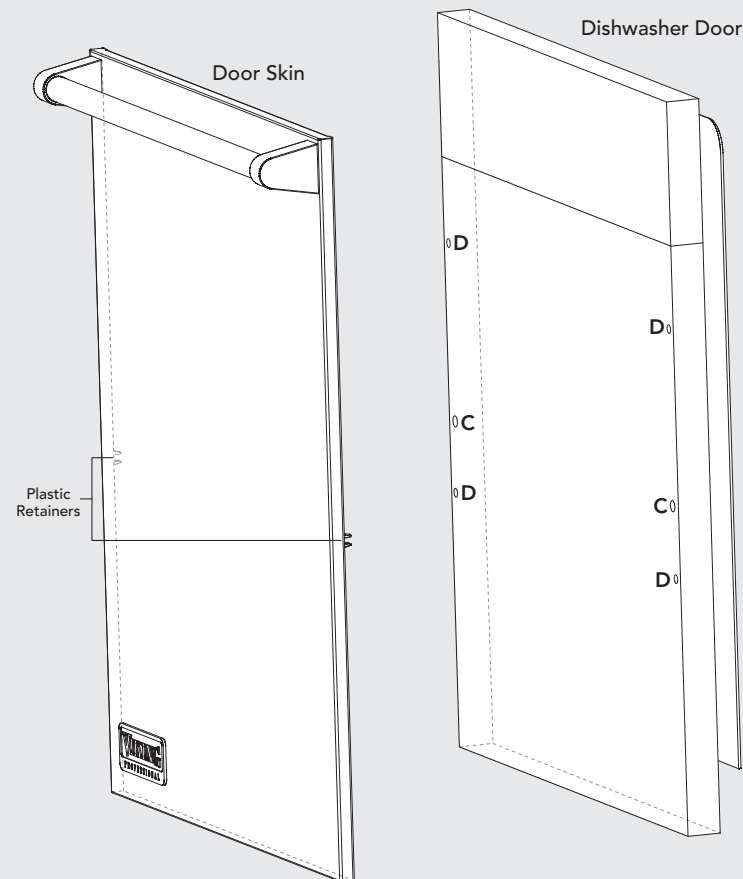


#8 1-3/4" long, flat head, stainless steel Torx screw (4 supplied)

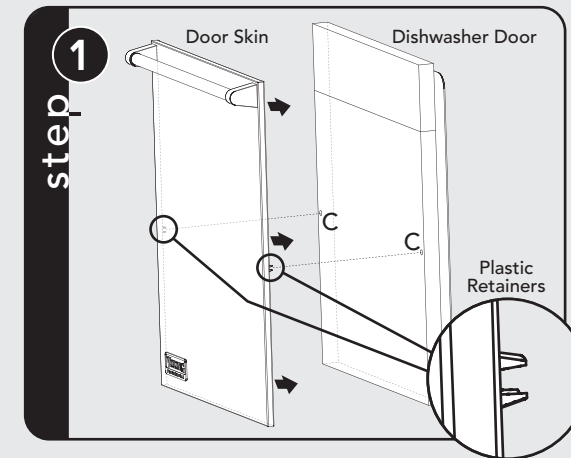
OR



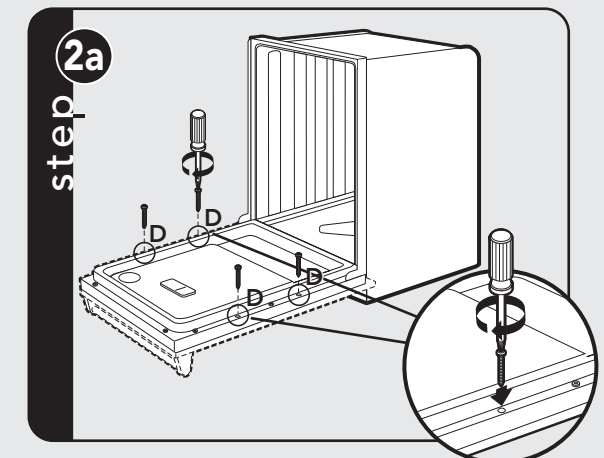
#8 1-3/4" long, stainless steel truss head screw (4 supplied)



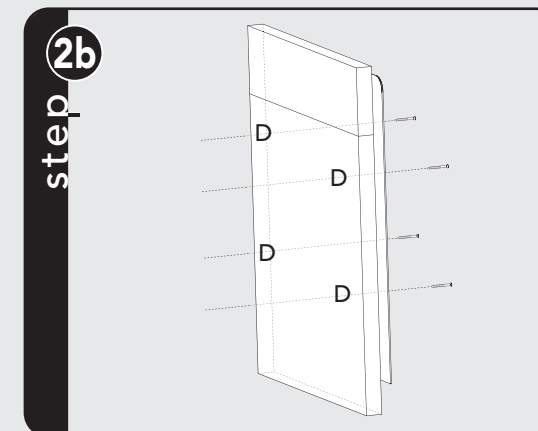
Installation



Position door skin on front of dishwasher door. Snap the plastic retainers on the door skin into the holes (C) on dishwasher door.



While holding the door skin in position, carefully open the dishwasher door. Using either the 4 flat head or 4 truss head screws provided*, secure the door skin to the 4 holes (D) on the dishwasher door.



Carefully tighten all 4 screws and check to ensure that the panel is square with the dishwasher door. **Note:** Verify the operation of the door counterbalance springs after installation of the door skin.

WARNING
The door skin must not obstruct the fan exhaust vent.

*Note: Use the set of screws which matches the screws already installed on the door.