



## OUTDOOR—COOKING

### Built-In Gas Side Burner, 24"W. Rangetop, Wok/Cooker, & TruSear™ Infrared Grillers



## Standard Features & Accessories

### All models include

- Push-button electronic ignition (battery-powered) provides a positive, consistent, and continuous spark for easy lighting
- Large, easy-to-read knob(s) with childproof, push-to-turn safety feature
- For built-in installation only (can be installed adjacent to or separately from grills)
- Heavy-duty commercial-type size, construction (stainless steel), design, and styling
  - Heavy-duty porcelain-coated grates or grids (removable) prevent food sticking and make cleanup easy
- Full-width, pull-out, removable drip tray with full-length handle, and removable grease pan
  - Stainless steel ball-bearing roller glides allow drip tray to pull out

easily and remain level when fully extended

- Stainless steel landing ledge with solid, welded, seamless finish
- Standard stainless steel island trim and countertop side trim
- Includes protective stainless steel cover with handle provides protection from the elements
- Must specify fuel type—natural gas or LP/propane

### VGSB152T (Side Burner) model includes

- Two 15,000 BTU burners
- Removable stainless steel grate support with separately removable stainless steel burner bowls for easy cleanup
- "V" grates provide continuous front-to-rear surface for easy movement of large stock pots

### VGRT244T (Rangetop) model includes

- Four 15,000 BTU burners
- Removable stainless steel grate support with separately removable stainless steel burner bowls for easy cleanup
- "V" grates provide continuous front-to-rear surface for easy movement of large stock pots

### VGWT241T (24"W. Wok/Cooker) model includes

- Agency-certified for outdoor use
- 27,500 BTU burner for high-heat/fast cooking
- Two-piece grate
- **Exclusive**—agency-approved center trivet converts burner grate for use with large stock pots
- 20" steel wok with lid included

## Model Options



**VGSB152T**  
Double Side Burner



**VGRT244T**  
24"W. Rangetop



**VGWT241T**  
24"W. Wok/Cooker

### FINISH DETAILS FOR VGSB, VGRT, & VGWT MODELS

- Stainless Steel (SS)
  - Black porcelain grate(s) and knob(s).
- Brass Trim Option (BR)—nameplate, drip tray/pull, and knob bezel(s). Brass components have a durable protective coating for maintenance-free normal use.

### ORDERING INSTRUCTIONS

You must specify fuel type ("N" or "L") following model number (VGSB152TNSS). If ordering optional brass trim, specify code at end (VGSB152TNSSBR).





## OUTDOOR—COOKING

### Built-In Gas Side Burner, 24"W. Rangetop, Wok/Cooker, & TruSear™ Infrared Grillers



## Standard Features & Accessories

### All models include

- Push-button electronic ignition (battery-powered) provides a positive, consistent, and continuous spark for easy lighting
- Large, easy-to-read knob(s) with childproof, push-to-turn safety feature
- For built-in installation only (can be installed adjacent to or separately from grills)
- Heavy-duty commercial-type size, construction (stainless steel), design, and styling
  - Heavy-duty porcelain-coated grates or grids (removable) prevent food sticking and make cleanup easy
- Full-width, pull-out, removable drip tray with full-length handle, and removable grease pan

- Stainless steel ball-bearing roller glides allow drip tray to pull out easily and remain level when fully extended
- Stainless steel landing ledge with solid, welded, seamless finish
- Standard stainless steel island trim and countertop side trim
- Includes protective stainless steel cover with handle provides protection from the elements
- Must specify fuel type—natural gas or LP/propane

### VGIB151T/242T (TruSear™ Infrared Griller) models include

- Constructed of heavy-duty inconel stainless steel—a nickel/chromium alloy with an impressive high-

temperature corrosion resistance

- Porcelain cooking grids
- Intense searing heat caramelizes the outside of food, locking in natural juices and flavors
  - VGIB151T (15"W.)—21,500 BTU high; 14,500 BTU low
  - VGIB242T (24"W.)—43,000 BTU high; 14,500 BTU low
- Drippings are vaporized from intense heat, generating flavor and preventing flare-ups
- Reduced cooking times due to short preheat time and intense heat
- Versatile—cooks everything from thick steaks and chops to seafood and vegetables

## Model Options



**VGIB151T**  
15"W. TruSear  
Infrared Griller



**VGIB242T**  
24"W. TruSear  
Infrared Griller

### FINISH DETAILS FOR VGIB MODELS

- Stainless Steel (SS)
- Brass Trim Option (BR)—nameplate and knob bezel(s). Brass components have a durable protective coating for maintenance-free normal use.

### ORDERING INSTRUCTIONS

You must specify fuel type ("N" or "L") following model number (VGIB151TNSS). If ordering optional brass trim, specify code at end (VGIB151TNSSBR).





# OUTDOOR—COOKING

## Built-In Gas Side Burner, 24"W. Rangetop, Wok/Cooker, & TruSear™ Infrared Grillers



★ Please see Installation Notes & Accessories for important information, including fuel conversion kits and bases.

### Dimensions & Specifications

#### PRODUCT DIMENSIONS



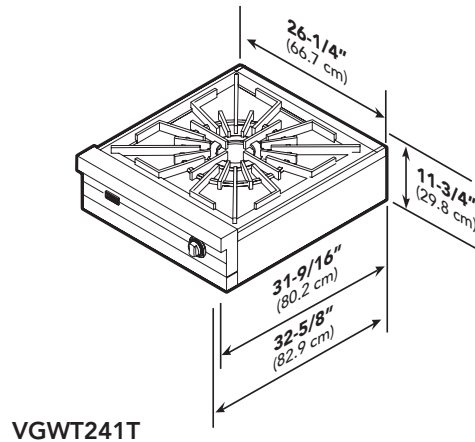
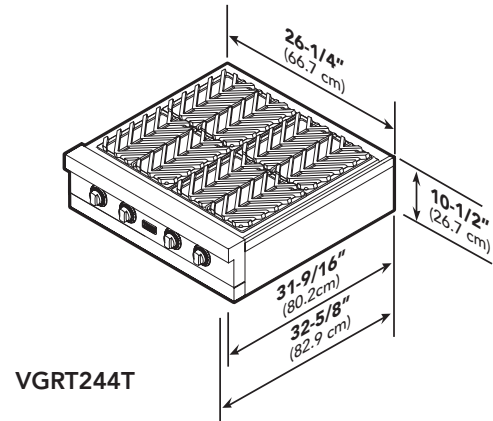
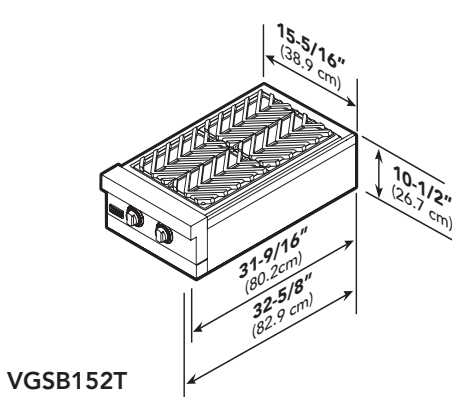
**VGSB152T**  
Double Side Burner



**VGRT244T**  
24"W. Rangetop



**VGWT241T**  
24"W. Wok/Cooker



	<b>VGSB152T</b>	<b>VGRT244T</b>	<b>VGWT241T</b>
Overall width	15-5/16" (38.9 cm)	26-1/4" (66.7 cm)	26-1/4" (66.7 cm)
Overall height			
To cooking surface	10-1/2" (26.7 cm)	10-1/2" (26.7 cm)	11-3/4" (29.8 cm)
Overall depth			
To end of landing ledge		<b>31-9/16" (80.2 cm)</b>	
To end of knobs		<b>32-5/8" (82.9 cm)</b>	
Approx. ship wt. lbs. (kg)	80 (36.3)	160 (72.0)	145 (66.0)





# OUTDOOR—COOKING

## Built-In Gas Side Burner, 24"W. Rangetop, Wok/Cooker, & TruSear™ Infrared Grillers



★ Please see Installation Notes & Accessories for important information, including fuel conversion kits and bases.

### Dimensions & Specifications

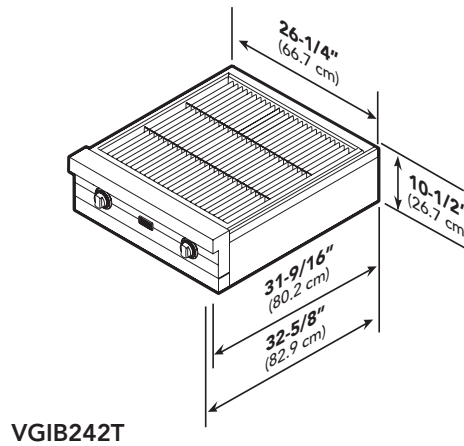
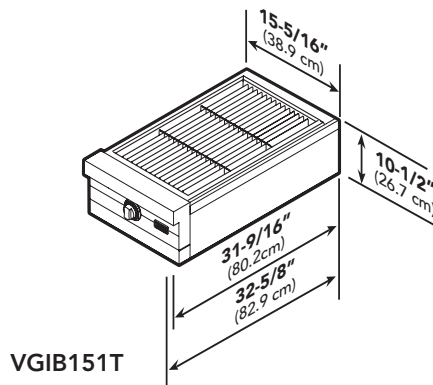
#### PRODUCT DIMENSIONS



**VGIB151T**  
15"W. TruSear  
Infrared Griller



**VGIB242T**  
24"W. TruSear  
Infrared Griller



	<b>VGIB151T</b>	<b>VGIB242T</b>
Overall width	15-5/16" (38.9 cm)	26-1/4" (66.7 cm)
Overall height		10-1/2" (26.7 cm)
To cooking surface		
Overall depth		31-9/16" (80.2 cm)
To end of landing ledge		32-5/8" (82.9 cm)
To end of knobs		
Approx. ship wt. lbs. (kg)	80 (36.3)	160 (72.0)





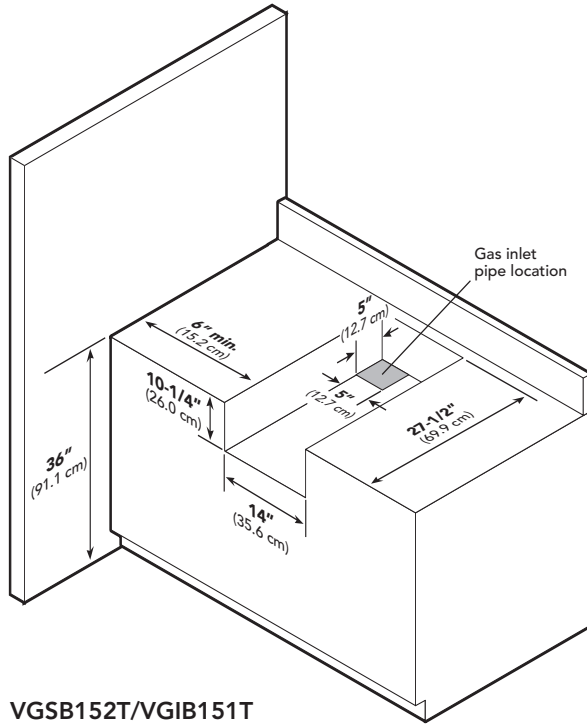
# OUTDOOR—COOKING

## Built-In Gas Side Burner, 24"W. Rangetop, Wok/Cooker, & TruSear™ Infrared Grillers

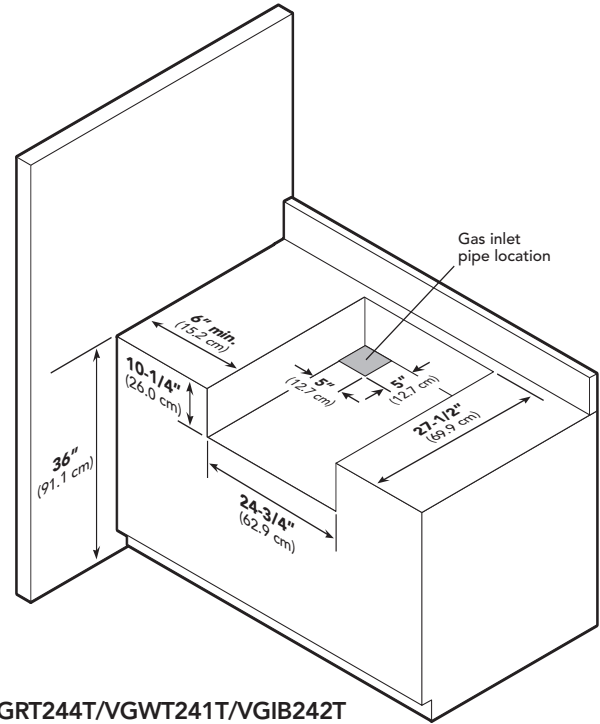


### Dimensions & Specifications

#### CUTOUT DIMENSIONS



VGSB152T/VGIB151T



VGRT244T/VGWT241T/VGIB242T

#### 15"W. SIDEBURNERS & GRILLERS

1. Maintain a minimum of 6" (15.2 cm) from the sides of the side burners (above the cooking surface) to adjacent vertical combustible construction. Do not install under overhead, unprotected combustible construction.
2. Allow at least 6" side clearance to non-combustible construction above the cooking surface for counter space.
3. When choosing a suitable location, consider factors such as wind exposure, proximity to traffic paths, keeping gas supply lines as short as possible. Install only in a well-ventilated area. Never install in a building, garage, breezeway, shed, or other such fully enclosed areas.

#### 24"W. RANGETOP/WOK/GRILLER

##### PROXIMITY TO CABINET INSTALLATION

The unit may be installed directly adjacent to the existing base cabinets. The side trim must be 3/8" (0.95 cm) above the adjacent base cabinet countertop. There is a 0" side and rear clearance to non-combustible surfaces. The unit cannot be installed directly adjacent to combustible sidewalls. There must be a minimum of 6" (15.2 cm) side and rear clearance from the unit to such combustible surfaces. This unit cannot be placed under an overhead which is unprotected and combustible.

	VGSB152T	VGRT244T	VGWT241T	VGIB151T	VGIB242T
Cutout width	14" (35.6 cm)	24-3/4" (62.9 cm)	24-3/4" (62.9 cm)	14" (35.6 cm)	24-3/4" (62.9 cm)
Cutout height	<b>10-1/4" (26.0 cm)</b>				
Cutout depth	27-1/2" (69.9 cm)	27-1/2" (69.9 cm)	27-3/8" (69.5 cm) min. to 27-7/8" (70.8 cm) max.	27-1/2" (69.9 cm)	27-1/2" (69.9 cm)





# OUTDOOR—COOKING

## Built-In Gas Side Burner, 24"W. Rangetop, Wok/Cooker, & TruSear™ Infrared Grillers



### Installation Requirements



**VGSB152T**  
Double Side Burner



**VGRT244T**  
24"W. Rangetop



**VGWT241T**  
24"W. Wok/Cooker



**VGIB151T**  
15"W. TruSear  
Infrared Grill



**VGIB242T**  
24"W. TruSear  
Infrared Grill

### UTILITY REQUIREMENTS



#### GAS

##### Burner rating

- VGSB152T—Two grated burners @ 15,000 BTU (4.4 kW) Nat./13,500 BTU LP (4.0 kW)
- VGRT244T—Four grated burners @ 15,000 BTU (4.4 kW) Nat./13,500 BTU LP (4.0 kW)
- VGWT241T—One grated burner @ 27,500 BTU (8.1 kW) Nat./LP
- VGIB151T—One infrared grill burner @ 21,500 BTU (6.3 kW) Nat./20,000 BTU (5.9 kW) LP
- VGIB242T—Two infrared grill burners, each @ 21,500 BTU (6.3 kW) Nat./20,000 BTU (5.9 kW) LP

##### Fixed piping installations

- o Check with local gas utility company or with local codes for instructions on installing gas supply lines. All gas connections should be made by a competent technician and in accordance with local codes and ordinances. In the absence of codes, the installation must comply with the National Fuel Gas Code ANSI Z223.1.
- o An installer-supplied gas shut-off valve must be installed in an easily accessible location. All installer-supplied parts must conform to local codes.
- o Must be isolated from the gas supply piping system by closing its individual manual

shut-off valve during any pressure testing of that system at test pressures equal to or less than 1/2 psi (3.5 kPa).

##### Natural gas models (and LP/propane, for VGWT only)

- o Water column pressure
  - Operating pressure—4.0" WCP
  - Supply pressure of 6" – 14" WCP
  - If incoming pressure exceeds 14" WCP, a step-down regulator is required.
- o Accepts standard residential 1/2" (1.3 cm) ID gas service line; 1/2" (1.3 cm) NPT male with 7/8" (2.2 cm) flare adapter.
- o If using a Viking GSH12 flexible hose, remove the 1/2" (1.3 cm) flare adapter and attach hose to the 7/8" (2.2 cm) male flare on the regulator assembly.

##### LP/propane models

- o Water column pressure
  - Operating pressure—10" WCP
  - Supply pressure of 11" – 14" WCP (for fixed piping installations)
  - If incoming pressure exceeds 14" WCP, a step-down regulator is required.
- o Accepts standard residential 1/2" (1.3 cm) ID gas service line; 1/2" (1.3 cm) NPT male with 3/8" (0.95) flare adapter.

##### LP/propane tank installations

- o Water column pressure
  - Operating pressure—10" WCP
- o Includes high-capacity hose/regulator assembly for connection to a standard 5-gal./20-lb. (approx. 12" diameter/18"H.) LP/propane gas cylinder equipped with a Type 1, QCC-1 connector
- The cylinder connection device must be compatible with the Type 1, QCC-1 connector on the outdoor cooking appliance.
- The cylinder must be provided with a shut-off valve terminating in an LP/propane gas supply cylinder valve outlet specified.
- The cylinder supply system must be arranged for vapor withdrawal and provided with a listed OPD (overfilling prevention device).



#### ELECTRICAL

- 9-volt DC battery for electronic ignition (not included?)
- Max. amp usage
  - o VGWT—0.08



#### PLUMBING

Not applicable





# OUTDOOR—COOKING

## Built-In Gas Side Burner, 24"W. Rangetop, Wok/Cooker, & TruSear™ Infrared Grillers



### ✦ Installation Notes & Accessories

#### Gas Conversion Kits

- For field conversions
- Conversions should be performed only by an authorized technician
- Kit includes all hardware necessary for conversion

Model	Description	Approx. ship wt. lbs. (kg)
TNK-VGBO	Conversion kit—LP/propane to natural (for side burner and rangetop)	3 (1.2)
TLPK-VGBO	Conversion kit—natural to LP/propane (for side burner and rangetop)	3 (1.2)
TNK-VGIQ	Conversion kit—LP/propane to natural (for grillers)	3 (1.2)
TLPK-VGIQ	Conversion kit—natural to LP/propane (for grillers)	3 (1.2)

#### 12' Natural Gas Supply Hose & Quick Disconnect Assembly

- For use with natural gas fuel supply
- For outdoor use only with portable appliances that may be moved for convenience of operation
- Valve in the socket automatically allows full gas flow when the plug is connected, and prevents gas flow when the plug is disconnected
- Kit includes quick disconnect socket with female pipe threads, plug/hose assembly, and adapter to mate with female fitting on the grill (remove for mating hose to male fittings)

Model	Description	Approx. ship wt. lbs. (kg)
GSH12	Supply hose/disconnect assembly	3 (1.4)

#### Stainless Steel Cabinetry-Bases

- Stainless Steel (SS)
- Must be installed with locally supplied countertop
- See individual product pages (storage section) for more information and additional specifications on these multi-use bases

Model	Description	Approx. ship wt. lbs. (kg)
VBBO1601	Base (for 15"W. side burners or 15"W. TruSear griller)	104 (47.2)
VBBO2602	Base (for wok/cooker, 24"W. TruSear griller, or 24"W. rangetop)	160 (72.6)

#### Compliance Information



#### WARRANTY SUMMARY\*

- One-year full warranty—complete product
- Lifetime limited warranty—rust through on all stainless steel components
- Five-year limited warranty—grill burners (VGSB & VGWT models) or infrared burner (VGIB models)
- Ninety-day limited warranty—cosmetic parts such as glass, painted, and decorative items

\* For complete warranty see *Use & Care Guide*. Warranty valid on Viking products shipped within the United States and Canada.

