



OUTDOOR—COOKING

Built-In 30"W. Electric Smoker Oven & 26"W. Gas Oven



Standard Features & Accessories

Both models include

- Commercial-type construction, design, and styling
 - Built from thick sheets of rugged, non-rusting stainless steel
- Agency-certified for outdoor use
- Three heavy-duty racks

VEOS model includes

- Standard capacity—3.2 cu. ft. (90.6 lit.)
 - 23"W. (58.4 cm) x 14-7/8"H. (37.8 cm) x 15-15/16"D. (40.5 cm)
 - Can accommodate up to 40 lbs. of meat
 - Large capacity water pan holds 1.5 gallons (5.7 liters) of water for smoking
 - Drip tray can accommodate 1.5 gallons (5.7 liters) of liquid
 - Smoker box is capable of holding large quantities of wood chips or chunks of wood for smoking
- **Exclusive**—state-of-the-art plenum system mixes heat, water vapor, and smoke for perfect cooking environment
- Baking temperatures from 175°F to 400°F (80°C to 205°C)
- Separate control for smoke element
- 120-volt, thermal convection oven

- Precision louvered oven side walls for balanced oven heat
- Six rack positions
- Cook with smoke, water vapor, and heat—meats are tenderized by slow cooking with heat and moisture, resulting in less shrinkage and perfect texture
 - Roasting—slow cook prime rib or any other roast to perfection using regular oven
 - Hot and cold smoking—imparts deep smoke flavor to meats, fish, cheeses, vegetables, and more
 - Moist vegetable cooking—gentle moist cooking to retain minerals and color in vegetables. No steaming under pressure or harsh boiling
 - Baking—thermal convection oven can be used for baking everything from side dishes to desserts

VGSO model includes

- Standard capacity—2.5 cu. ft. (70.8 lit.)—18-1/8"W. (46.0 cm) x 12-1/2"H. (31.8 cm) x 18-3/4"D. (47.6 cm)
- 20,000 BTU gas oven
- 200 – 550°F (93° – 260°C) thermostat
- Natural airflow bake function, perfect

- for baking side dishes and desserts to complement items cooked on the grill
- Electronic ignition powered by 9-volt battery
- Four rack positions
 - Must be factory ordered for use with LP/propane gas (L) or natural gas (N)
 - LP/propane gas model equipped with high-capacity hose/regulator assembly
 - To convert oven from natural to LP/propane, or LP/propane to gas, you must use a Viking conversion kit (see **Installation Notes & Accessories**)

Model Options



VEOS100T
30"W. Electric
Smoker Oven



VGSO260T
26"W. Gas Oven

FINISH DETAILS

- Stainless Steel (SS)
- Brass Trim Option (BR)—nameplate, handle/brackets, and knob bezel(s). Brass components have a durable protective coating for maintenance-free normal use.

ORDERING INSTRUCTIONS

For gas oven, you must specify fuel type ("N" or "L") following model number (VGSO260TNSS). If ordering optional brass trim, specify code at end (VGSO260TNSSBR).





OUTDOOR—COOKING

Built-In 30"W. Electric Smoker Oven & 26"W. Gas Oven



★ Please see Installation Notes and Accessories for important installation information, including racks and gas connection kit.

Dimensions & Specifications

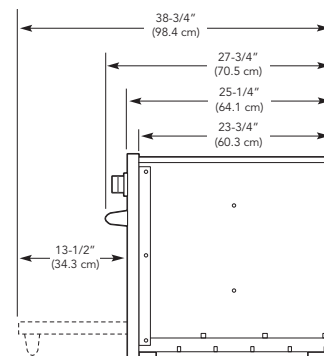
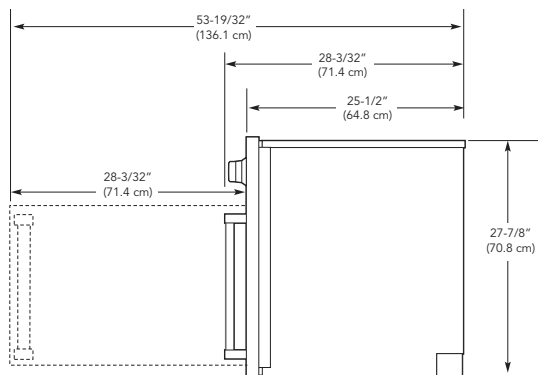
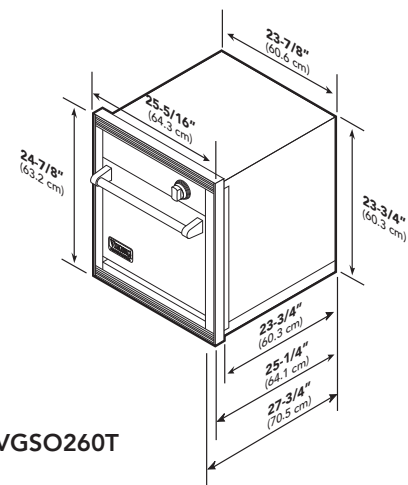
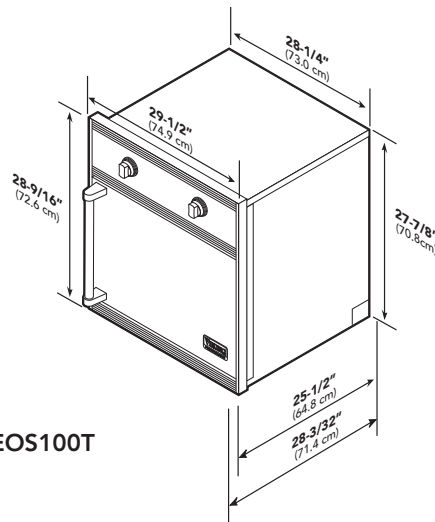
PRODUCT DIMENSIONS & DOOR SWING



VEOS100T
30"W. Electric Smoker Oven



VGSO260T
26"W. Gas Oven



	VEOS100T	VGSO260T
Overall width	29-1/2" (74.9 cm)	25-5/16" (64.3 cm)
Overall height	28-9/16" (72.6 cm)	24-7/8" (63.2 cm)
Overall depth (from rear)		
To edge of door	25-1/2" (64.8 cm)	25-1/4" (64.1 cm)
To front of handle	28-3/32" (71.4 cm)	27-3/4" (70.5 cm)
With door open	53-19/32" (136.1 cm)	38-3/4" (98.4 cm)
Interior (each oven)		
Width	23" (58.4 cm)	18-1/8" (46.0 cm)
Height	14-7/8" (37.8 cm)	12-1/2" (31.8 cm)
Depth	15-15/16" (40.5 cm)	18-3/4" (47.6 cm)
Approx. ship weight	260 lbs. (117.0 kg)	196 lbs. (88.2 kg)





OUTDOOR—COOKING

Built-In 30"W. Electric Smoker Oven & 26"W. Gas Oven



Installation Requirements

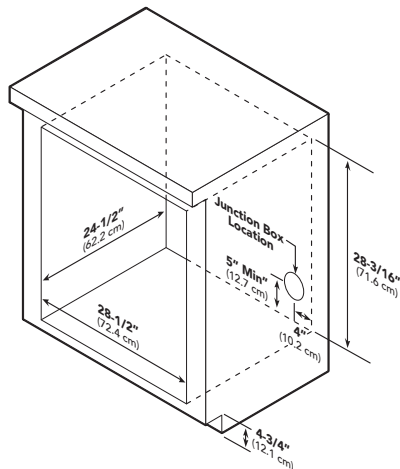
ACCESS REQUIREMENTS



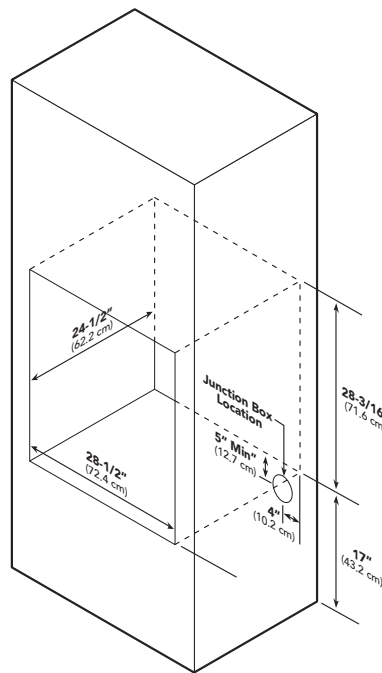
VEOS100T
30"W. Electric
Smoker Oven



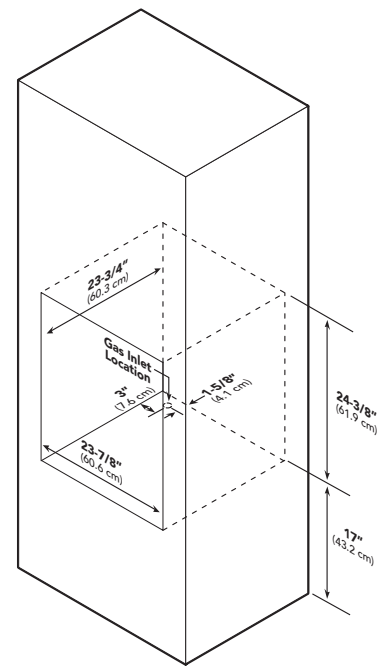
VGSO260T
26"W. Gas Oven



VEOS100T Undercounter



VEOS100T Built-In



VGSO260T Built-In

Note: The use of cabinets for storage above the oven may result in a potential burn hazard. Combustible items may ignite, and metallic items may become hot and cause burns. If cabinet storage is to be provided, the risk can be reduced by installing a hood that projects horizontally a minimum of 5" (12.7 cm) beyond the bottom of the cabinets. Do not obstruct the flow of combustion and ventilation air.

	VEOS100T	VGSO260T
Cutout width	28-1/2" (72.4 cm)	23-7/8" (60.6 cm) min. to 24-1/4" (61.6 cm) max.
Cutout height	28-3/16" (71.6 cm)	24-3/8" (61.9 cm) min. to 24-3/4" (62.9 cm) max.
From floor	4-3/4" (12.1 cm) min.* 17" (43.2 cm) min.**	17" (43.2 cm)
Cutout depth	24-1/2" (62.2 cm)	23-3/4" (60.3 cm)

*Undercounter installation for VEOS only

**Recommended, for wall installation





OUTDOOR—COOKING

Built-In 30"W. Electric Smoker Oven & 26"W. Gas Oven



Installation Requirements



VEOS100T
30"W. Electric
Smoker Oven



VGSO260T
26"W. Gas Oven

UTILITY REQUIREMENTS



GAS (VGSO)

Bake burner rating

- Two burners, each 20,000 BTU (5.9 kW) Nat./LP
- Can field convert to LP/propane (see **Installation Notes & Accessories** for kit)
- **Fixed piping installations**
 - o Check with local gas utility company or with local codes for instructions on installing gas supply lines. All gas connections should be made by a competent technician and in accordance with local codes and or ordinances. In the absence of codes, the installation must comply with the National Fuel Gas Code ANSI Z223.1.

- o An installer-supplied gas shut-off valve must be installed in an easily accessible location. All installer-supplied parts must conform to local codes.
- o Must be isolated from the gas supply piping system by closing its individual manual shut-off valve during any pressure testing of that system at test pressures equal to or less than 1/2 psi (3.5 kPa).

Natural gas models

- Water column pressure
 - o Operating pressure—4.0" WCP
 - o Supply pressure of 6" – 14" WCP

- o If incoming pressure exceeds 14" WCP, a step-down regulator is required.
- Accepts standard residential 1/2" (1.3 cm) ID gas service line; 1/2" (1.3 cm) NPT male with 7/8" (2.2 cm) flare adapter.
- o If using a Viking GSH12 flexible hose, remove the 1/2" (1.3 cm) flare adapter and attach hose to the 7/8" (2.2 cm) male flare on the regulator assembly.

LP/propane models

- Water column pressure
 - o Operating pressure—10" WCP
 - o Supply pressure of 11" – 14" WCP (for fixed piping installations)
 - o If incoming pressure exceeds 14" WCP, a step-down regulator is required.
- Accepts standard residential 1/2" (1.3 cm) ID gas service line; 1/2" (1.3 cm) NPT male with 3/8" (0.95) flare adapter.

LP/propane tank installations

- Water column pressure
 - o Operating pressure—10" WCP
- Includes high-capacity hose/regulator assembly for connection to a standard 5-gal./20-lb. (approx. 12" diameter/18"H.) LP/propane gas cylinder equipped with a Type 1, QCC-1 connector

- o The cylinder connection device must be compatible with the Type 1, QCC-1 connector on the outdoor
- o The cylinder must be provided with a shut-off valve terminating in an LP/propane gas supply cylinder valve outlet specified.
- o The cylinder supply system must be arranged for vapor withdrawal and provided with a listed OPD (overfilling prevention device).



ELECTRICAL

Smoker element rating

- One element 300 watts (2.7 amps)

Cook element rating

- Two (elements, each 750 watts (6.8 amps))
- VEOS
 - o 120V/60 Hz, 30-amp
 - o 4' (121.9 cm) 3-wire cord with grounded 3-prong plug
 - o Max. amp usage—17.7 (1,950 watts)
- VGSO
 - o 9-volt battery for ignition



PLUMBING

Not applicable





OUTDOOR—COOKING

Built-In 30"W. Electric Smoker Oven & 26"W. Gas Oven



✦ Installation Notes & Accessories

Stainless Steel Cabinetry-Oven Towers

- Stainless Steel (SS)
- See individual product pages (storage section) for more information and additional specifications.

Model	Description	Approx. ship wt. lbs. (kg)
VEUO3202	32"W. tower (for smoker oven & storage access)	295 (133.8)
VERO3200	32"W. tower (for smoker oven & 24"W. beverage center)	271 (122.9)
VGUO3202	32"W. tower (for gas oven & storage access)	295 (133.8)
VGRO3200	32"W. tower (for gas oven & 24"W. beverage center)	271 (122.9)

Gas Conversion Kits

- For VGSO260T
- For field conversions
- Conversions should be performed only by an authorized technician
- Kit includes all hardware necessary for conversion

Model	Description	Approx. ship wt. lbs. (kg)
TNK-BQCO	Conversion kit—LP/propane to natural	3 (1.2)
TLPK-BQCO	Conversion kit—natural to LP/propane	3 (1.2)

Compliance Information



WARRANTY SUMMARY*

- One-year full warranty—complete product
- Five-year limited warranty—tube burners (VGSO model), heating element (VEOS model)
- Ten-year limited warranty—porcelain oven (VGSO model)
- Lifetime limited warranty—rust through on all stainless steel components
- Ninety-day limited warranty—cosmetic parts such as glass, painted, & decorative items

* For complete warranty see *Use & Care Guide*. Warranty valid on Viking products shipped within the United States and Canada.

