



REFRIGERATION

Undercounter/Freestanding 24"W. Beverage Center



Standard Features & Accessories

All models include

- Hidden touchpad electronic controls with digital temperature readout
 - Inside temperature can be adjusted from 40 – 65°F
 - TruProtect™ system signals if door is left open or if temperature is out of set range
 - Sabbath mode disables audible tones, LED display and lights
 - Temperature can be displayed in either Fahrenheit or Celsius
- Capacity—6.1 cu. ft. (172.6 L)
- Top wire shelf has 6-1/2" split flip-up section to chill or store open wine bottles or large containers
- Full-depth tempered glass shelf with top two wire shelves hold 128 12-ounce cans and create distinct temperature zone for wine storage
- Two wine shelves cradle 12 bottles and pull out for easy access
- Low-E argon-filled glass doors
- Automatic cycle defrost
- Interior light—turns on by switch when door is opened
- Install as undercounter or freestanding unit
- Must be ordered right or left hinge (As you face unit, RIGHT has hinge on right side and handle on left side; LEFT has hinge on left side and handle on right side.)

Model Options



VUAR1441/VUAR1431
Professional

- FINISH DETAILS FOR VUAR MODELS**
- Clear and fluted glass doors
 - Stainless Steel (SS)—stainless steel frame around large window door, stainless steel handle with chrome-plated brackets, and black exterior cabinet.
 - Black interior
 - Solid door
 - Stainless Steel (SS)
 - White interior
 - Finish codes designate door front. Stainless steel handle with chrome-plated brackets and black exterior cabinet.



DUAR1441
Designer

- FINISH DETAILS FOR DUAR MODELS**
- Clear glass doors
 - Stainless Steel (SS)—stainless steel frame around large window door, stainless steel handle and black exterior cabinet.
 - Black interior



DFUR1441
Custom Panel

- FINISH DETAILS FOR DFUR MODELS**
- Clear glass doors.
 - Black interior
 - Handle not included—opt for custom handle, or purchase a Viking Professional Series or Designer Series handle kit (see **Installation Notes & Accessories**).
 - Accepts 3/4"-thick custom wood frame.
 - See **Custom Panels** section for more information and additional specifications.

ORDERING INSTRUCTIONS

First specify model number, then specify door style ("F" for fluted, "C" for clear or "D" for solid) immediately after model number (VUAR1441F). Next, specify hinge preference ("R" for right or "L" for left), and then color code (VUAR1441FRSS).





VIKING
designer

REFRIGERATION

Undercounter/Freestanding 24"W. Beverage Center



★ Please see
Installation Notes &
Accessories
for important
information,
including handle
kits.

Dimensions & Specifications

PRODUCT DIMENSIONS



VUAR1441/VUAR1431
Professional

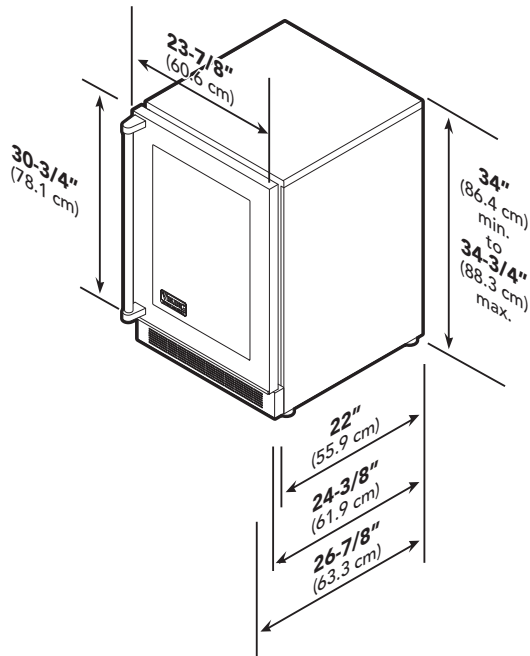


DUAR1441
Designer

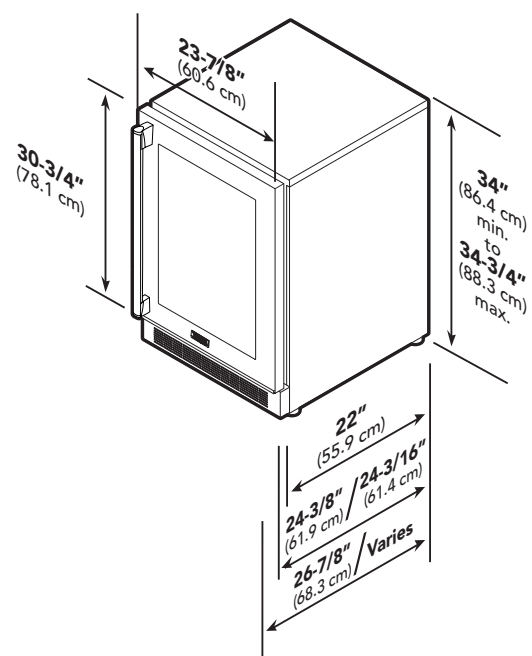


DFUR1441
Custom Panel

See Custom Panels section for more information and additional specifications.



PROFESSIONAL



**DESIGNER/
CUSTOM PANEL**

	VUAR1441/VUAR1431	DUAR1441	DFUR1441
Overall width		23-7/8" (60.6 cm)	
Overall height		34" (86.4 cm) min. to 34-3/4" (88.3 cm) max.	
Overall depth (from rear)			
To front of handle	26-7/8" (68.3 cm)	26-7/8" (68.3 cm)	Varies
With door open		47-1/4" (120.0 cm)	
Approx. ship weight		140 lbs. (63.0 kg)	





REFRIGERATION

Undercounter/Freestanding 24"W. Beverage Center



Dimensions & Specifications

DOOR SWING



VUAR1441/VUAR1431
Professional

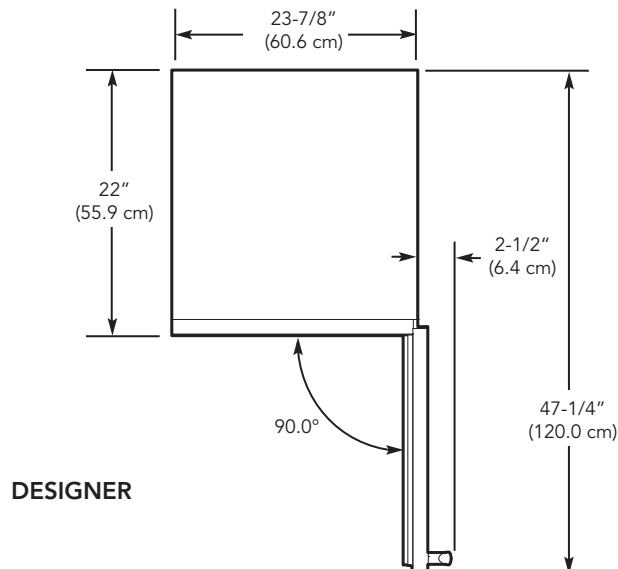
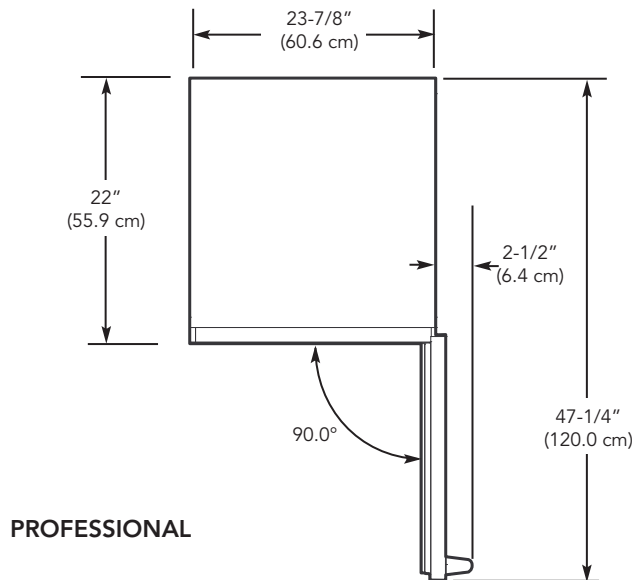


DUAR1441
Designer



DFUR1441
Custom Panel

See **Custom Panels** section for more information and additional specifications.





UTILITY REQUIREMENTS



GAS
Not applicable



ELECTRICAL

- Three-wire cord with grounded three-prong plug attached to product
- 115 VAC/60 Hz; 15 amp dedicated circuit
- Maximum amp usage—3.3



PLUMBING
Not applicable

Installation Requirements

ACCESS REQUIREMENTS



VUAR1441/VUAR1431
Professional

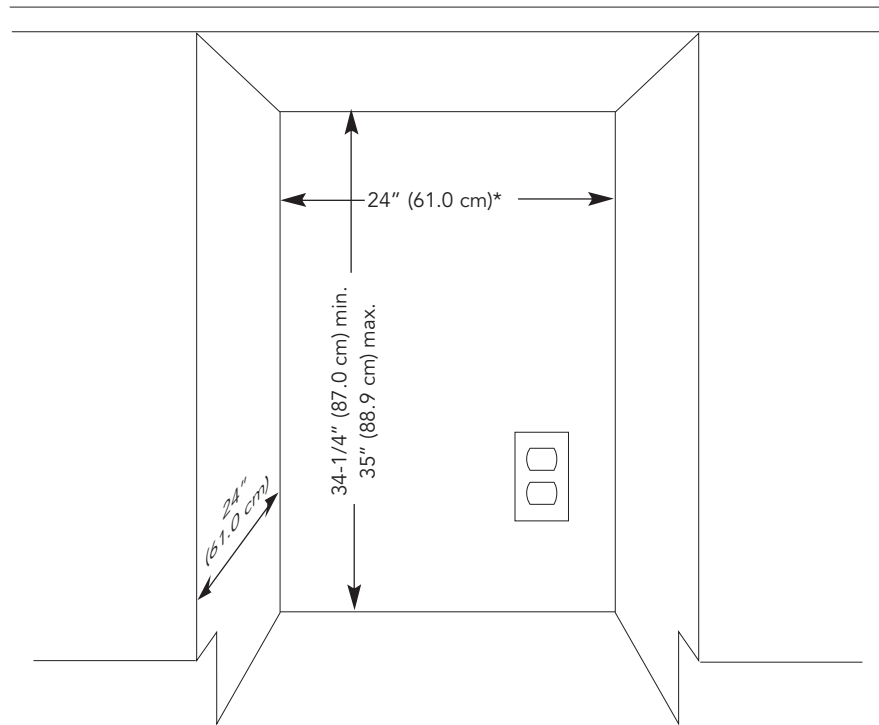


DUAR1441
Designer



DFUR1441
Custom Panel

See **Custom Panels** section for more information and additional specifications.



*24" (61.0 cm) width for cabinet only; If door is recessed between cabinets, cutout must be 24-1/4" (61.6 cm).

All models	
Cutout width	24" (61.0 cm)*
Cutout height	34-1/4" (87.0 cm) min. to 35" (88.9 cm) max.
Cutout depth	24" (61.0 cm)



REFRIGERATION

Undercounter/Freestanding 24"W. Beverage Center



★ Installation Notes & Accessories

Handle Kits

- For use with custom panel 24"W. beverage center
- For use on locally supplied custom panels
- Handles allow custom panel products to coordinate with other Professional & Designer products
- Kit includes one handle and installation hardware

Model	Description	Approx. ship wt. lbs. (kg)
PHK30-SS	Professional handle (Stainless Steel)	6 (2.7)
DDHK29-SS	Designer handle (Stainless Steel)	5 (2.3)

Compliance Information



WARRANTY SUMMARY*

- Two-year full warranty—complete unit
- Six-year full warranty—sealed refrigeration system (includes compressor, condenser, dryer/strainer, evaporator, and connecting tubing)
- Twelve-year limited warranty—sealed refrigeration system
- Ninety-day limited warranty—cosmetic parts such as glass, painted items, and decorative items

*For complete warranty see *Use & Care Guide*. Warranty valid on Viking products shipped within the United States and Canada.

