



REFRIGERATION

Undercounter/Freestanding 15"W. Beverage Center



Standard Features & Accessories

All models include

- Hidden touchpad electronic controls with digital temperature readout
 - Inside temperature can be adjusted from 40 – 65°F
 - TruProtect™ system signals if door is left open or if temperature is out of set range
 - Sabbath mode disables audible tones, LED display and lights
 - Temperature can be displayed in either Fahrenheit or Celsius
- Capacity—3.0 cu. ft. (84.9 L)
- Two full-depth removable wire shelves
- One full-depth tempered glass shelf creates distinct temperature zone for wine storage
- Wine shelf holds four bottles of wine and pulls out for easy access
- Low-E argon-filled glass doors
- Automatic cycle defrost
- Interior light—turns on by switch or when door is opened
- Install as undercounter or freestanding unit
- Must be ordered right or left hinge (As you face unit, RIGHT has hinge on right side and handle on left side; LEFT has hinge on left side and handle on right side.)

Model Options



VUAR1541/VUAR1531
Professional

- FINISH DETAILS FOR VUAR MODELS**
- Clear glass doors
 - Stainless Steel (SS)—stainless steel frame around large window door, stainless steel handle with chrome-plated brackets, and black exterior cabinet.
 - Black interior
 - Solid door
 - Stainless Steel (SS)
 - White interior
 - Finish codes designate door front. Stainless steel handle with chrome-plated brackets and black exterior cabinet.



DUAR1541
Designer

- FINISH DETAILS FOR DUAR MODELS**
- Clear glass doors
 - Stainless Steel (SS)—stainless steel frame around large window door, stainless steel handle and black exterior cabinet.
 - Black interior



DFUR1541
Custom Panel

- FINISH DETAILS FOR DFUR MODELS**
- Clear glass doors.
 - Black interior
 - Handle not included—opt for custom handle, or purchase a Viking Professional Series or Designer Series handle kit (see **Installation Notes & Accessories**).
 - Accept 3/4"-thick custom wood frame.
 - See **Custom Panels** section for more information and additional specifications.

ORDERING INSTRUCTIONS

First specify model number, then specify door style ("C" for clear or "D" for solid) immediately after model number (VUAR1541**C**). Next, specify hinge preference ("R" for right or "L" for left), and then color code (VUAR1541**CRSS**).





REFRIGERATION

Undercounter/Freestanding 15"W. Beverage Center



★ Please see **Installation Notes & Accessories** for important information, including handle and trim kits.

Dimensions & Specifications

PRODUCT DIMENSIONS



VUAR1541/VUAR1531
Professional

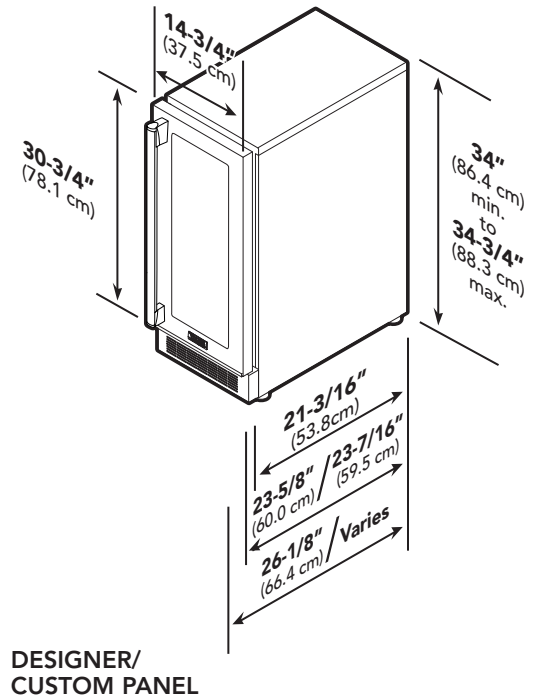
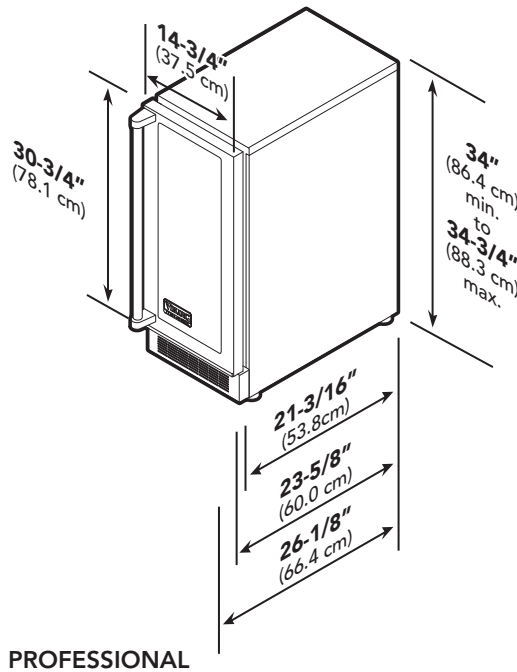


DUAR1541
Designer



DFUR1541
Custom Panel

See **Custom Panels** section for more information and additional specifications.



	VUAR1541/VUAR1531	DUAR1541	DFUR1541
Overall width		14-3/4" (37.5 cm)	
Overall height		34" (86.4 cm) min. to 34-3/4" (88.3 cm) max.	
Overall depth (from rear)			
To front of handle	26-1/8" (66.4 cm)	26-1/8" (66.4 cm)	Varies
With door open		37-3/16" (94.5 cm)	
Approx. ship weight		110 lbs. (49.5 kg)	





REFRIGERATION

Undercounter/Freestanding 15"W. Beverage Center



Dimensions & Specifications

DOOR SWING



VUAR1541/VUAR1531
Professional

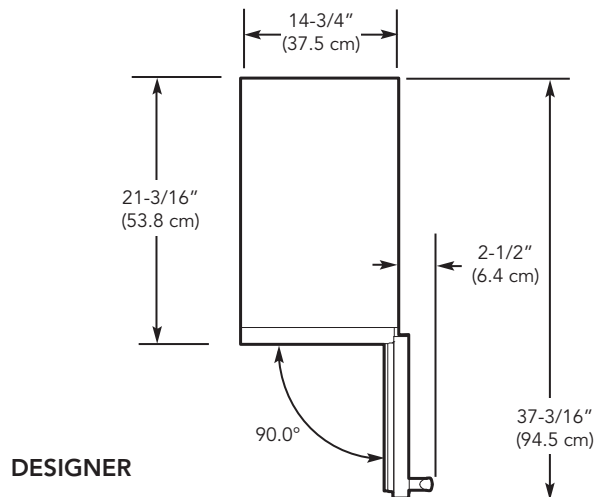
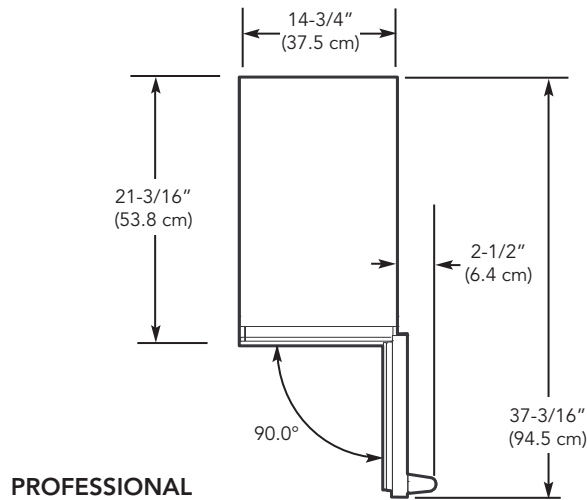


DUAR1541
Designer



DFUR1541
Custom Panel

See **Custom Panels** section for more information and additional specifications.





UTILITY REQUIREMENTS



GAS
Not applicable



- ELECTRICAL**
- Three-wire cord with grounded three-prong plug attached to product
 - 115 VAC/60 Hz; 15 amp dedicated circuit
 - Maximum amp usage—3.0



PLUMBING
• Not applicable

Installation Requirements

ACCESS REQUIREMENTS



VUAR1541/VUAR1531
Professional

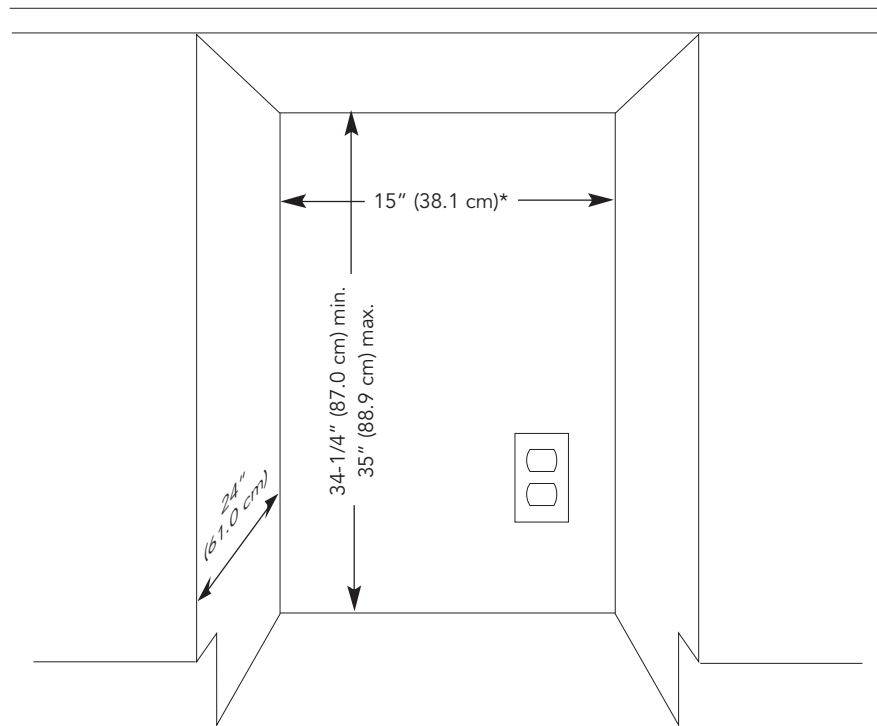


DUAR1541
Designer



DFUR1541
Custom Panel

See **Custom Panels** section for more information and additional specifications.



*15" (38.1 cm) width for cabinet only; If door is recessed between cabinets, cutout must be 15-1/4" (38.7 cm).

All models	
Cutout width	15" (38.1 cm)*
Cutout height	34-1/4" (87.0 cm) min. to 35" (88.9 cm) max.
Cutout depth	24" (61.0 cm)



REFRIGERATION

Undercounter/Freestanding 15"W. Beverage Center



★ Installation Notes & Accessories

Handle Kits

- For use with custom panel 15"W. beverage center
- For use on locally supplied custom panels
- Handles allow custom panel products to coordinate with other Professional & Designer products
- Kit includes one handle and installation hardware

Model	Description	Approx. ship wt. lb. (kg)
PHK30-SS	Professional handle (Stainless Steel)	6 (2.7)
DDHK29-SS	Designer handle (Stainless Steel)	5 (2.3)

Trim

- Stainless Steel (SS)
- Increases overall size of product to install in 18"W. cutout

Model	Description	Approx. ship wt. lb. (kg)
TRIM-18	Trim for 18"W. cutout	5 (2.3)

Compliance Information



WARRANTY SUMMARY*

- Two-year full warranty—complete unit
- Six-year full warranty—sealed refrigeration system (includes compressor, condenser, dryer/strainer, evaporator, and connecting tubing)
- Twelve-year limited warranty—sealed refrigeration system
- Ninety-day limited warranty—cosmetic parts such as glass, painted items, and decorative items

*For complete warranty see *Use & Care Guide*. Warranty valid on Viking products shipped within the United States and Canada.

