

Viking Installation Guide



Viking Range Corporation

111 Front Street

Greenwood, Mississippi 38930 USA

(662) 455-1200

For product information,

call 1-888-VIKING1 (845-4641)

or visit the Viking web site at

vikingrange.com

DDHK29 Designer Handle Kit
For Use With DFUR, DFUW, DFRI, DFIM, DFWD101 Models

IMPORTANT—Please Read and Follow!

- Before beginning, please read these instructions completely and carefully.
- Use caution during assembly to minimize scratches.
- Do not remove permanently affixed labels, warnings or plates from the product. This may void the warranty.
- Please refer to the DFUR, DFUW, DFRI, DFIM, DFWD101 Installation Instructions for more information on installing the door panel.
- **The installer should leave instructions with the customer who should retain for local inspector's use and future reference.**

Installation with Wooden Full Overlay Custom Door Front

Parts Included

Part	Quantity
Designer Handles	(1)
#10 x 3/4" Hex Head Screws	(4)
Installation Instructions	

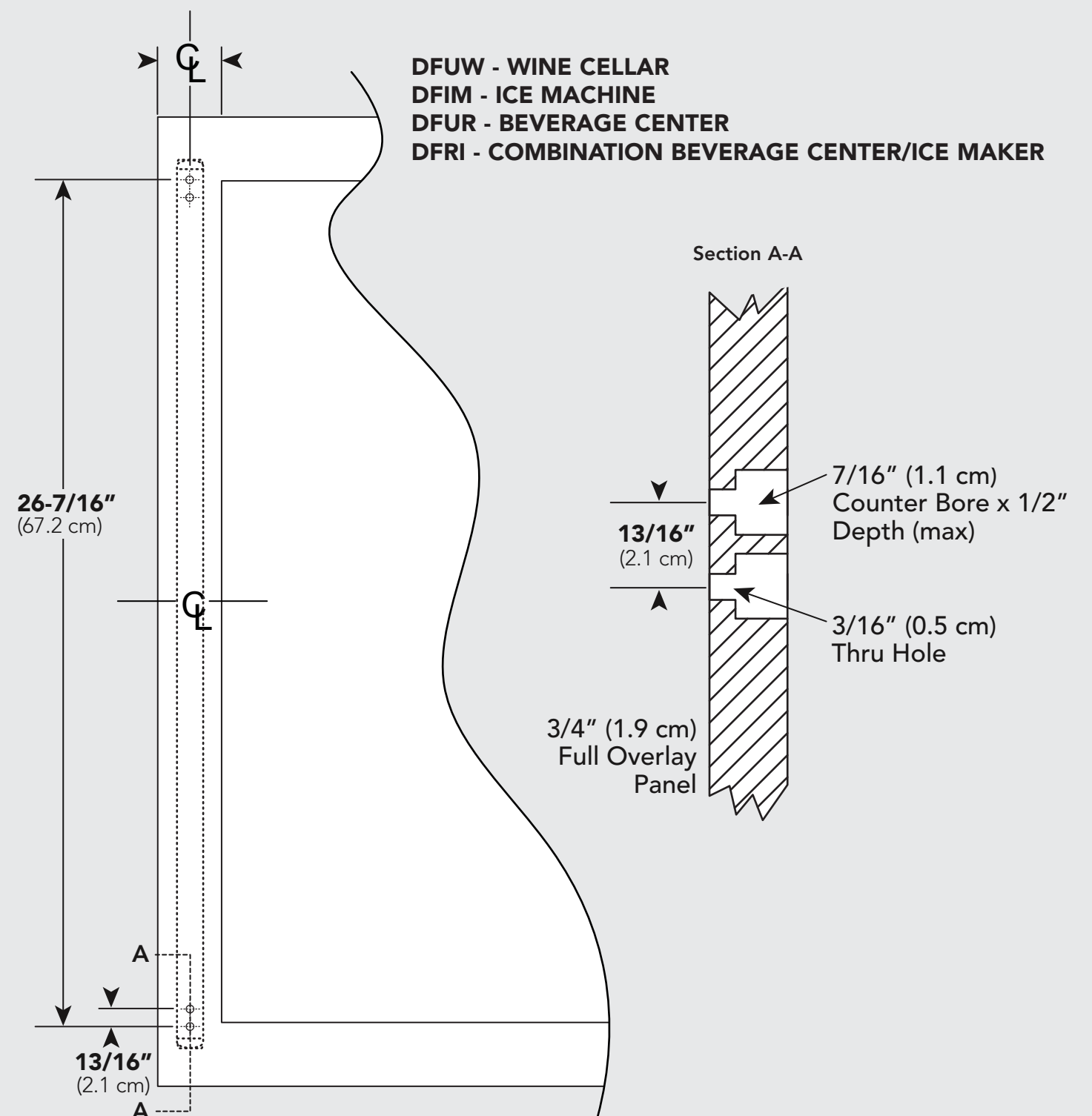
Required Tools

- Electric Drill
- 3/16" (0.5 cm) Drill Bit
- 7/16" (1.1 cm) Spade or Forstner Bit (Counterbore)
- Tape Measure
- Hex Head Screw Driver
- Masking Tape and Pencil

To Install:

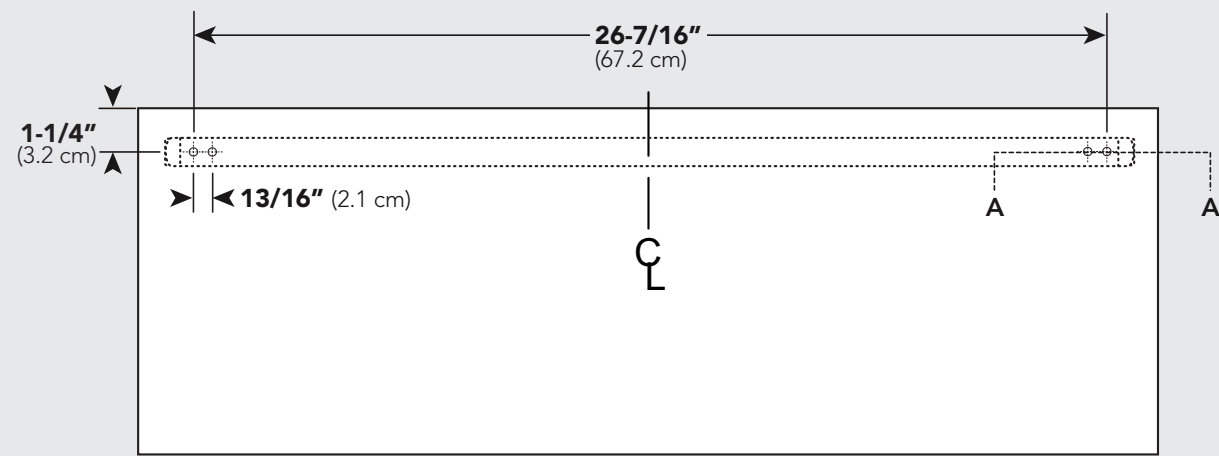
1. Locate the wooden custom panel.
2. Using the illustrations on the next page, layout the handle location on the panels. It is recommended that masking tape be placed where the four holes will be drilled to help mark the hole placement and to prevent any damage to the door when drilling the holes.
3. The Designer handle will be mounted using (4) of the #10 x 3/4" Hex head screws provided. Using the 3/16" (0.5 cm) drill bit, drill completely through the door in the hole locations. Using the 7/16" (1.1 cm) bit, counter-bore four holes 1/2" (1.2 cm) deep max. on the **BACKSIDE** of the custom door panel.
4. Attach the Designer handle to the panel using (4) #10 x 3/4" screws provided.

Handle Installation

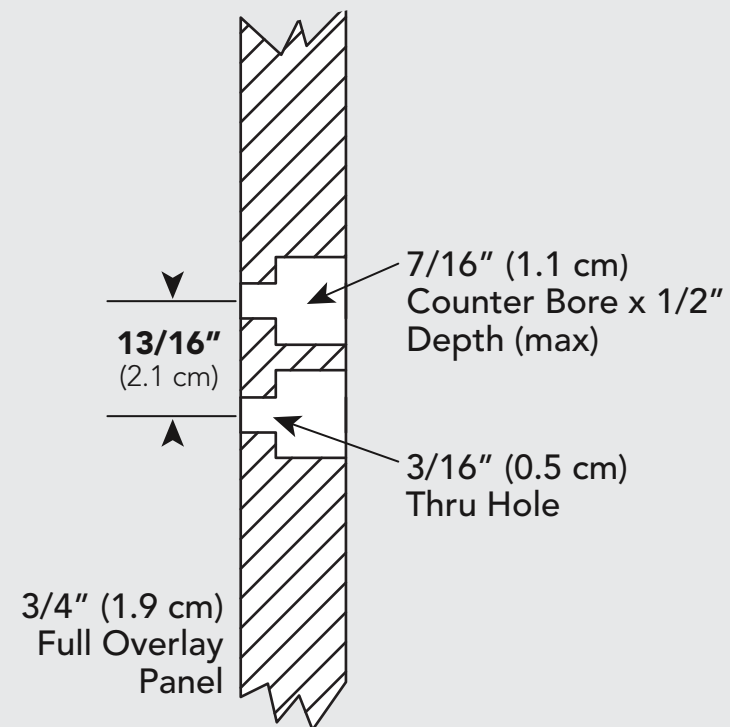


Handle Installation

DFWD101 - WARMING DRAWER



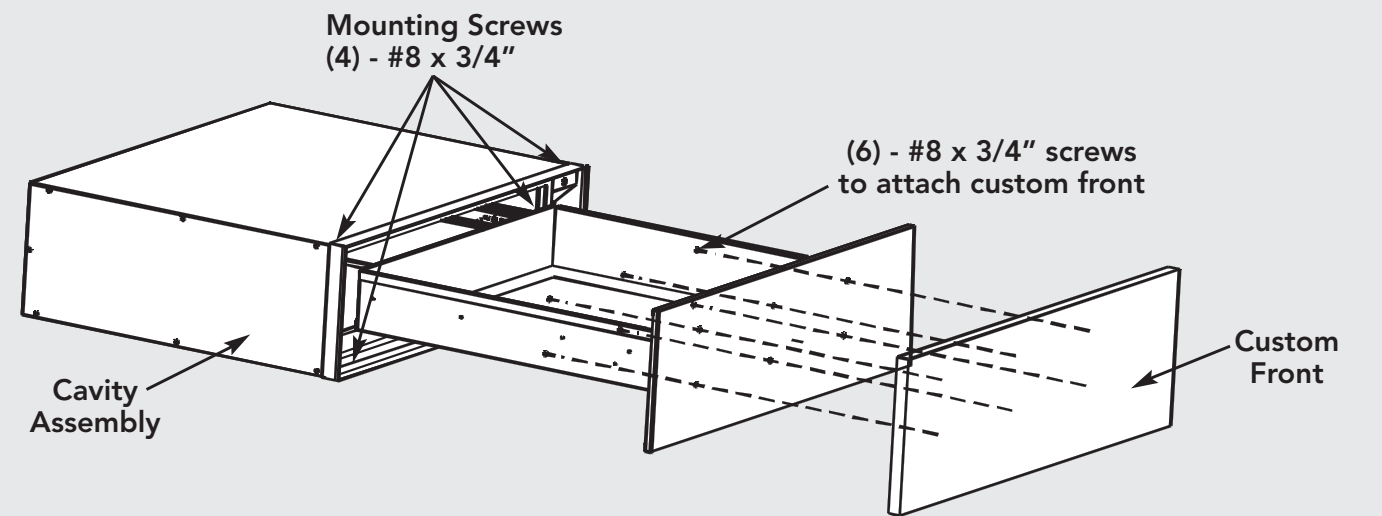
Section A-A



Custom Front Installation

CUSTOM FRONT INSTALLATION

1. Open the drawer and remove the pan.
2. Center the custom front on the inside panel.
3. Attach the custom front with the (6) six #8 x 3/4" screws provided.



Specifications subject to change without notice.

