



Standard Features & Accessories

All models include

- Hidden touchpad electronic controls with digital temperature readout
 - Inside temperature can be adjusted from 40 – 65°F
 - TruProtect™ system signals if door is left open or if temperature is out of set range
 - Sabbath mode disables audible tones, LED display and lights
 - Temperature can be displayed in either Fahrenheit or Celsius
- Capacity—24 bottles
- Six shelves cradle bottles horizontally to keep corks moist
 - Shelves are coated to reduce vibration and hold bottles snugly in place
 - Roller rack shelves glide in and out for easy access to stored bottles
 - Locks on shelf glides prevents shelves from being removed inadvertently
 - Shelves can be removed to store magnum or larger bottles
- Ultraviolet-resistant tempered glass and black interior protect wine from harmful light
- Maple wood facings provide additional ultraviolet protection
- Low-intensity lighting displays wine with minimal heat and light output
- Interior light turns on by switch or when door is opened
- Keyed door lock provides protection for stored wines
- Low-E argon-filled glass doors
- Install as undercounter or freestanding unit
- Must be ordered right or left hinge. (As you face unit, RIGHT has hinge on right side and handle on left side; LEFT has hinge on left side and handle on right side.)

Model Options



VUWC1541
Professional

FINISH DETAILS FOR VUWC MODEL

- Clear glass doors
 - Stainless Steel (SS)—stainless steel frame around large window door, stainless steel handle with chrome-plated brackets, black exterior cabinet, and black interior.



DUWC1541
Designer

FINISH DETAILS FOR DUWC MODEL

- Clear glass doors
 - Stainless Steel (SS)—stainless steel frame around large window door, stainless steel handle, black exterior cabinet, and black interior.



DFUW1541
Custom Panel

FINISH DETAILS FOR DFUW MODEL

- Clear glass doors
- Handle not included—opt for custom handle, or purchase a Viking Professional Series or Designer Series handle kit (see **Installation Notes & Accessories**).
- Accept 3/4"-thick custom wood frame
- See **Custom Panels** section for more information and additional specifications.

ORDERING INSTRUCTIONS

First specify model number, then specify door style ("C" for clear) immediately after model number (VUWC1541**C**). Next, specify hinge preference ("R" for right or "L" for left), and then color code (VUWC1541**CRSS**).





★ Please see **Installation Notes & Accessories** for important information, including handle and trim kits.

Dimensions & Specifications

PRODUCT DIMENSIONS



VUWC1541
Professional

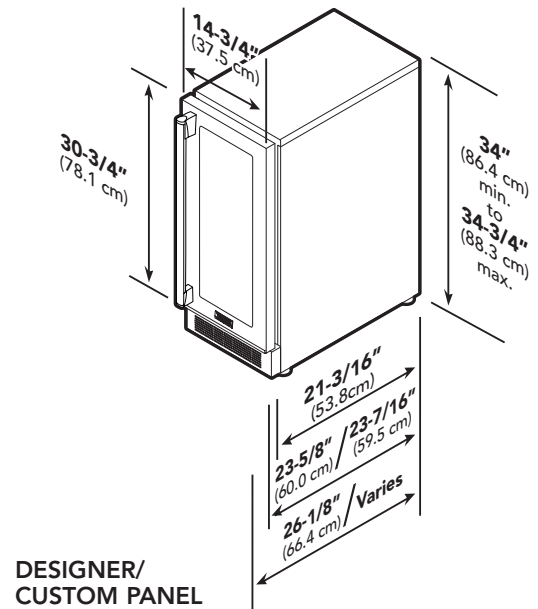
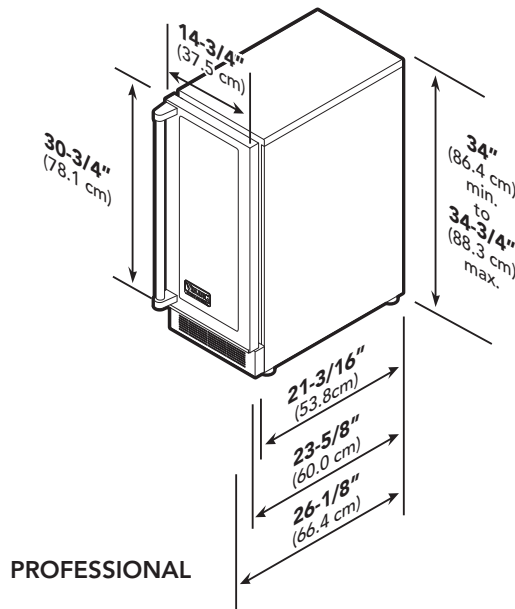


DUWC1541
Designer



DFUW1541
Custom Panel

See **Custom Panels** section for more information and additional specifications.



| | VUWC1541 | DUWC1541 | DFUW1541 |
|------------------------------|-------------------|---|-----------------|
| Overall width | | 14-3/4" (37.5 cm) | |
| Overall height (from bottom) | | 34" (86.4 cm) min. to 34-3/4" (88.3 cm) max. | |
| Overall depth (from rear) | | | |
| To front of handle | 26-1/8" (66.4 cm) | 26-1/8" (66.4 cm) | Varies |
| With door open | | 37-3/16" (94.5 cm) | |
| Approx. ship weight | | 110 lbs. (49.5 kg) | |



Dimensions & Specifications

DOOR SWING



VUWC1541
Professional

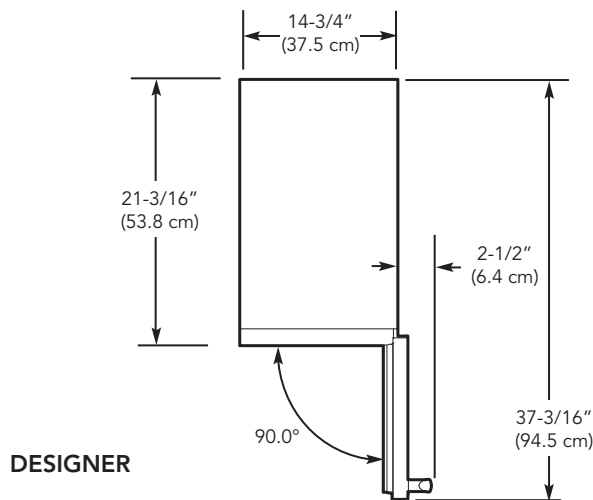
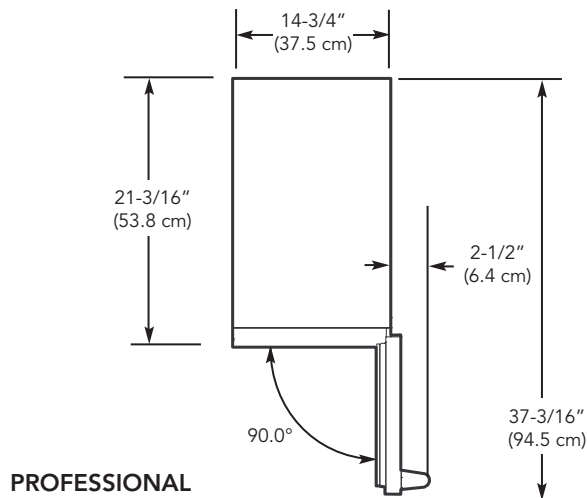


DUWC1541
Designer



DFUW1541
Custom Panel

See **Custom Panels** section for more information and additional specifications.





UTILITY REQUIREMENTS



GAS
Not applicable



ELECTRICAL

- Three-wire cord with grounded, three-prong plug attached to product
- 115 VAC/60 Hz; 15 amp dedicated circuit
- Maximum amp usage—3.0



PLUMBING
Not applicable

Installation Requirements

ACCESS REQUIREMENTS



VUWC1541
Professional

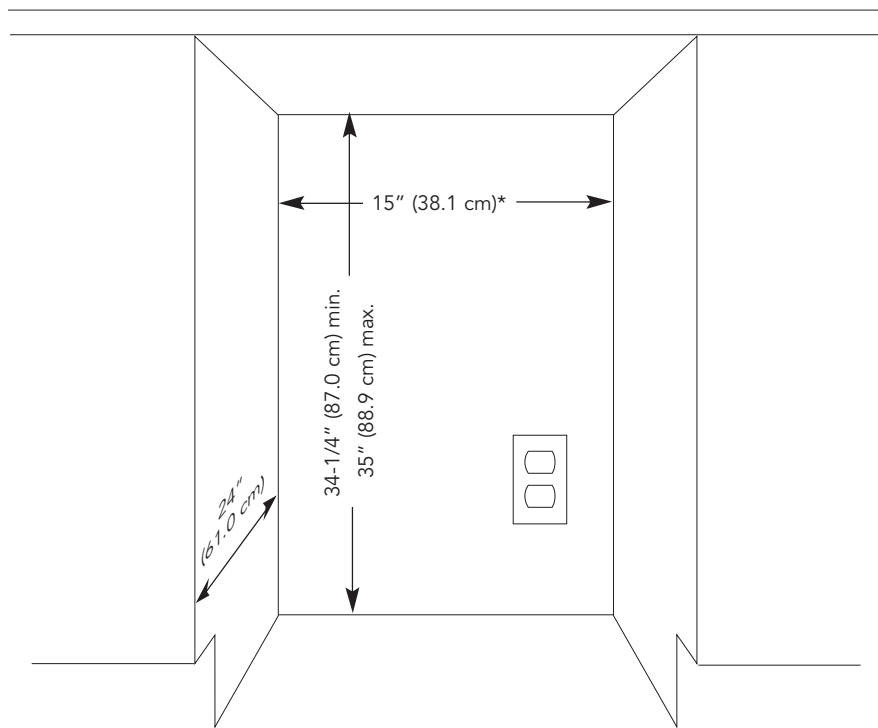


DUWC1541
Designer



DFUW1541
Custom Panel

See **Custom Panels** section for more information and additional specifications.



*15" (38.1 cm) width for cabinet only. If door is recessed between cabinets, cabinet cutout must be 15-1/4" (38.7 cm).

| All models | |
|-------------------|--|
| Cutout width | 15" (38.1 cm)* |
| Cutout height | 34-1/4" (87.0 cm) min. to 35" (88.9 cm) max. |
| Cutout depth | 24" (61.0 cm) |



✦ Installation Notes & Accessories

Handle Kits

- For use with custom panel 15"W. wine cellar
- For use on locally supplied custom panels
- Handles allow custom panel products to coordinate with other Professional & Designer products
- Kit includes one handle and installation hardware

| Model | Description | Approx. ship wt. lbs. (kg) |
|-----------|---------------------------------------|----------------------------|
| PHK30-SS | Professional handle (Stainless Steel) | 6 (2.7) |
| DDHK29-SS | Designer handle (Stainless Steel) | 5 (2.3) |

Trim

- Stainless Steel (SS)
- Increases overall size of product to install in 18"W. cutout

| Model | Description | Approx. ship wt. lbs. (kg) |
|---------|-----------------------|----------------------------|
| TRIM-18 | Trim for 18"W. cutout | 5 (2.3) |

Compliance Information



WARRANTY SUMMARY*

- Two-year full warranty—complete unit
- Six-year full warranty—sealed refrigeration system (includes compressor, condenser, dryer/strainer, evaporator, and connecting tubing)
- Twelve-year limited warranty—sealed refrigeration system
- Ninety-day limited warranty—cosmetic parts such as glass, painted, and decorative items

*For complete warranty see *Use & Care Guide*. Warranty valid on Viking products shipped within the United States and Canada.

