

# Settings and Functions

### Before Using Your Wine Cellar

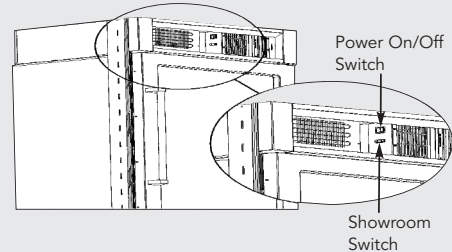
To obtain the best possible results from your wine cellar, it is important that you operate it properly.

**IMPORTANT**

Be sure the power on/off switch is in the ON position after cleaning the wine cellar or changing the light tubes.

### Power ON/OFF Switch

The power on/off switch is used to turn the power off to the wine cellar when cleaning it or changing the light tubes. The wine cellar is shipped with the power on/off switch in the "On" position. To turn the power off, remove the center grille assembly by grasping the three center louvers, lifting up and pulling outward. Press the power on/off switch to the "Off" position. To turn the power back on, press the power on/off switch to the "On" position. Replace the center grille assembly by aligning the hooks in the assembly with the slots in the brackets which are attached to the grille. Push in over the hooks and slide grille assembly downward.



### Showroom Switch

The showroom switch allows electronic controls and interior lights to function independently of the refrigeration system. Your wine cellar is shipped with the showroom switch in the "Off" position. To use the showroom mode, remove center grille assembly and turn the showroom switch to the "On" position. Showroom mode will be engaged.

### Electronic Control Center



With the TriTemp™ Storage System, you can set the temperature in each of the three zones within a range of 43°F to 65°F (6°C to 18°C). The unit is factory set at 43° F (6°C) in the top two zones and 55°F (13°C) in the bottom zone. Select the zone you wish to adjust by pressing the "ZONE" key. The lighted bar on the control center will toggle between the upper, middle, and lower zones. When the bar above the zone you wish to adjust is lit, press the lower temp or higher temp key to select the desired temperature. The set temperature will flash on the control center. After 7 seconds, the temperature displayed will revert to the ACTUAL zone temperature and will no longer flash. To again view the set temperature, press the "ZONE" key. Refer to the "Wine Storage" section for wine storage guidelines and suggested serving temperatures.

### Lower Temp

The lower temp key allows you to decrease the temperature in the selected zone in one degree increments.

### Higher Temp

The higher temp key allows you to increase the temperature in the selected zone in one degree increments.

### Lights

The lights key allows you to turn the lighting on independent of the door opening for displaying the contents of the upper and middle zones. To turn the lights on, press the button once. Lights should not be left on for extended periods of time, as long term light exposure will affect the quality of your wine.

### Display

The display key will turn the power to the display off. Press this button if you do not wish for the control panel to be illuminated. To turn the display on, press the display key.

### Alarm

Your wine cellar is equipped with two alarms: High Temperature alarm and Open Door alarm. The High Temperature alarm will signal if the temperature in any zone fluctuates 5 degrees from your set point for an extended period of time. To set this alarm, press and hold the alarm key for two seconds. A bell will appear on the display when the alarm has been successfully enabled. When the alarm is triggered, a beeping noise will be heard and the wine cellar's display will flash and show an alarm message. To turn the alarm off, press the alarm key. To completely disengage the alarm, press and hold the alarm key for two seconds. The Open Door alarm is set automatically. The Open Door alarm will signal if the wine cellar's door has been left open for three minutes. A beeping noise will be heard and an alarm message will appear on the display. The wine cellar's door must be closed in order to turn the alarm off.

### Temperature Unit Conversion

Your wine cellar is factory set to display degrees Fahrenheit. If you prefer Celsius, press and hold the alarm key and display key for 5 seconds.

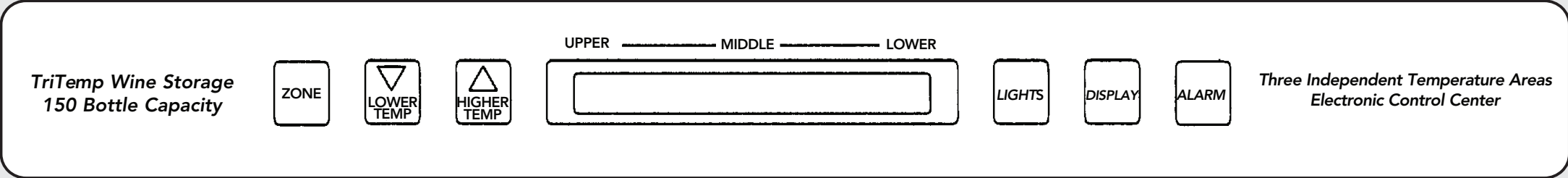
### Holiday Mode for Sabbath Observance

Pressing and holding the display button continuously for 10 seconds accesses this mode. The display will continue to be on as long as the button is pressed and at the end of 10 seconds, the display will turn off and holiday mode will be engaged.

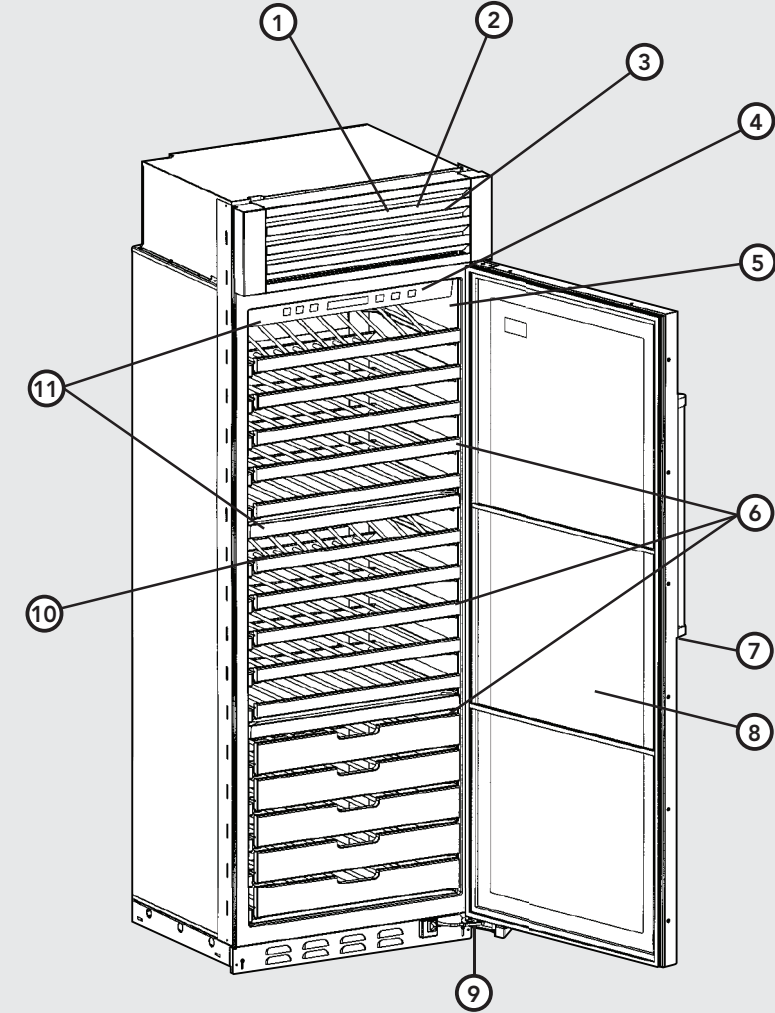
**Note:** To enter Holiday Mode, the display must be on prior to initiating the Holiday Mode. To cancel Holiday Mode, press and hold the display button continuously for 10 seconds. At the end of 10 seconds the display will turn on.

When Holiday Mode is selected a random time delay will be applied to the compressor relay start and stop. The chamber lights relay will remain de-energized. The display will not be illuminated. Audible sound (beep) from the control will be disabled. Fan outputs will not be affected by opening or closing of the door switch. All front panel buttons will be inoperative except a 10 second press of the display button causing the control to exit Holiday Mode. All other functions will continue as in normal cooling.

# Control Panels



# Features



- 1. High Temperature Alarm** (behind grille)  
Your wine cellar has a high temperature alarm feature that will sound if temperatures within your wine cellar fluctuate outside of your set point by 5 degrees for an extended period of time.
- 2. Door Alarm** (behind grille)  
The door alarm feature alerts you if you have left the wine cellar's door open for more than 3 minutes.
- 3. Home Security System Connection** (behind grille)  
For added peace of mind, your wine cellar can be connected to your home security system to alert you while away from home if the temperatures within your wine cellar fluctuate outside of your set point by 5 degrees for an extended period of time.
- 4. Electronic Control Center**  
The electronic control center allows you to set and monitor the operations of the wine cellar easily and accurately.
- 5. Black Interior**  
The wine cellar's black interior not only provides a stylish backdrop for your prized wines but absorbs harmful light and protects your wines.
- 6. TriTemp™ Storage System**  
Your wine cellar has three independent temperature zones separated by gaskets and tempered glass shelves to seal the zones. This allows you to set the temperatures in your wine cellar to match your wine storage needs. Each zone has its own fan, allowing for true air circulation within the zone. One control, conveniently located at the top of the unit, allows you to precisely control the temperature in each zone separately.  
  
**Bottom Zone** – The bottom zone is designed for longer term wine storage with no lighting and raised wood facings to add further UV protection. This is the perfect place to store your most delicate and precious wine.
- 7. Door Lock** (on front of door)  
A keyed door lock comes standard with the wine cellar. The door lock provides added protection for your wine collection.
- 8. Energy Efficient/UV Resistant Glass**  
Glass door units are energy efficient and UV resistant. The doors are insulated and coated to protect against UV rays.
- 9. Door Stop Settings**  
For utmost flexibility, the wine cellar door stop can easily be set to 90, 110, or 120 degrees, allowing it to be used in many different applications.
- 10. Versatile Shelving System**  
Your wine cellar's shelving system is designed for optimal wine storage. This system includes two convertible display shelves that lay flat for normal storage or convert to display shelves to beautifully display your wine. All shelves are coated to absorb vibration and prevent unnecessary movement. Shelves pull forward on roller bearing glides and remain level at full extension allowing for easy loading and unloading and are fully removable for easy cleaning. Shelves are designed to accommodate different bottle sizes and shapes including standard bottle, half-size bottles and magnums.
- 11. Low Intensity Lighting**  
The low intensity lighting system allows wines to be displayed without compromising wine integrity. Lights can be set so that they stay on for display purposes or to only come on when the door is opened.

# Important Safety Instructions—Please Read and Follow

Warning and Important Safety Instructions appearing in this guide are not meant to cover all possible conditions and situations that may occur. Common sense, caution, and care must be exercised when installing, maintaining, or operating the appliance.

ALWAYS contact the manufacturer about problems or conditions you do not understand.

## Recognize Safety Symbols, Words, Labels

**DANGER**

Hazards or unsafe practices which WILL result in severe personal injury or death

**WARNING**

Hazards or unsafe practices which COULD result in death severe personal injury or death

**CAUTION**

Hazards or unsafe practices which COULD result in minor personal injury.  
All safety messages will identify the hazard, tell you how to reduce the chance of injury, and tell you what can happen if the instructions are not followed.

Read and follow all instructions before using this appliance to prevent the potential risk of fire, electric shock, personal injury or damage to the appliance as a result of improper usage of the appliance. Use appliance only for its intended purpose as described in this guide.

To ensure proper and safe operation: Appliance must be properly installed and grounded by a qualified technician. DO NOT attempt to adjust, repair, service, or replace any part of your appliance unless it is specifically recommended in this guide. All other servicing should be referred to a qualified servicer.

**WARNING**

**ELECTRICAL SHOCK HAZARD**

- Plug into a grounded 3-prong outlet. If a 2-prong wall receptacle is encountered, contact a qualified electrician
- DO NOT remove ground prong. Unit must be grounded at all times.
- DO NOT use an adapter.
- DO NOT use an extension cord.
- Failure to follow these instructions can result in death, fire, or electrical shock.

**WARNING**

To reduce the risk of fire, electric shock, or injury when using your wine cellar, follow these basic precautions:

- Read all instructions before using the wine cellar.
- Never allow children to operate, play with, or crawl inside the wine cellar.
- Never clean wine cellar parts with flammable fluids. The fumes can create a fire hazard or explosion.
- Always turn the power on/off switch (located behind the air grille on top right side) to the OFF position before attempting to change light tubes, clean, or service the wine cellar.
- For your safety, DO NOT store or use gasoline or other flammable vapors and liquids in the vicinity of this or any other appliance. The fumes can create a fire hazard or explosion.

**DANGER**

**RISK OF CHILD ENTRAPMENT**

Before you throw away your old refrigerator or Freezer:

- Take off the doors.
- Leave the shelves in place so that children may not easily climb inside.

**IMPORTANT:** Child entrapment and suffocation are not problems of the past. Junked or abandoned refrigerators are still dangerous, even if they will sit for just a few days.

### Safety/Installation Tips

- Install and level the wine cellar on a floor that will hold the weight and in an area suitable for its size and use.
- DO NOT install the wine cellar near an oven, radiator, or other heat source.
- Keep the wine cellar out of the weather.
- Connect the wine cellar only to the proper type of outlet, with the correct electrical supply and grounding. (Refer to the electrical requirements section of the Installation Guide).
- Properly maintain the wine cellar.
- Be sure the wine cellar is not used by anyone unable to operate properly.

**KEEP THESE INSTRUCTIONS FOR FUTURE REFERENCE**

**CAUTION**

Remove wine bottles from shelves before removing shelves. Failure to do so could result in bottle breakage.

**CAUTION**

To store magnum or oversized bottles, the shelf directly above must be removed. Failure to do so could result in bottle breakage. Refer to the Use and Care Manual for proper shelf removal.

**IMPORTANT**

Be sure the power on/off switch is in the ON position after cleaning the wine cellar or changing the light tubes.

**WARNING**

**ELECTRICAL SHOCK HAZARD**

Disconnect power or turn power disconnect switch to OFF position before removing top grille. Failure to do so can result in death or electrical shock.

**WARNING**

**BURN HAZARD**

DO NOT touch condenser coils near defrost pan. Doing so can result in burns.

**WARNING**

**TIPPING HAZARD**

Appliance is top heavy and tips easily when not completely installed. Keep doors closed until appliance is completely installed and secured per installation instructions.

Use two or more people to move and install appliance. Failure to do so can result in death or serious injury.

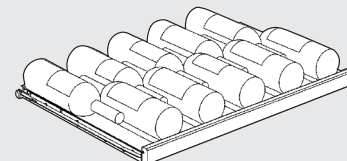
# Wine Storage

**CAUTION**

To store magnum or oversized bottles, the shelf directly above must be removed. Failure to do so could result in bottle breakage. Refer to the Use and Care Manual for proper shelf removal.

### Versatile Shelving System

Your wine cellar's shelving system makes it easy to store standard, magnum and half-size bottles easily. There are a total of fifteen wine shelves which will each accommodate 10 bottles of wine, alternately displayed. Two convertible wine shelves adjust to allow bottles to be displayed.

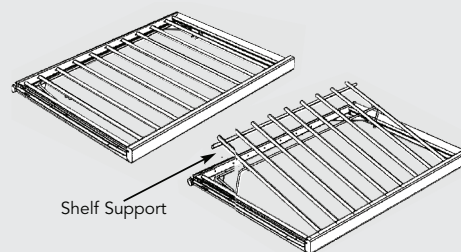


### Loading the Shelves

To load a shelf, pull the shelf forward and place the bottles on the shelf with the neck in the center of the shelf. Alternate the direction of the next bottle. Note the illustration above for maximum bottle storage.

### Convertible Display Shelves

Your wine cellar has two convertible display shelves - one in each of the top two compartments. To use the display shelf, first remove any wine bottles stored on the shelf. Next, remove the wine shelf directly above (see shelf removal instructions on page 12 of the Use and Care Manual). Lift the shelf up, rotate the shelf support up and lock shelf into place with legs (see illustration below).



### Wine Storage Guidelines

Wines that are stored for a long period of time should be stored at a stable temperature in a dark, vibration free environment. Wines stored for a short term (six months) can be stored at 55°F (13°C), or they can be stored at temperatures optimal for serving. The chart on the next page provides recommended serving temperatures for different types of wines.

- The ambient temperature of the room you locate your wine cellar in could affect the temperature in your wine cellar if the room temperature is lower than the wine cellar compartment setting. The wine cellar is designed to cool, not heat the stored wines. Temperatures inside the wine cellar cannot be higher than room temperatures outside of the wine cellar. The wine cellar is designed to perform at room temperatures of 70°F (21°C) and above.
- In certain conditions, the temperature of the middle zone can vary up to 5°F (2.8°C) from your selected temperature setting.

### Optimal Wine Serving Temperatures

Red wines are generally served from cool to room temperatures (55°F – 65°F [13°C – 18°C]). White wines are served at cellar temperatures (50°F – 55°F [10°C – 13°C]), and sparkling wines are served at the coolest temperatures (45°F – 50°F [7°C – 10°C]).

# Viking Quick Reference Guide



## Built-In Full Height Wine Cellars

