



## Standard Features & Accessories

### All models include

- Capacity—15.9 cu. ft. (450.0 L)
  - 84"H./24"D.
- ProChill™ Temperature Management System
  - Variable-speed DC Overdrive™ Compressor is one of the quietest, most technologically advanced compressors available
  - Electronic controls maintain the temperature selection within 1°F
  - Multi-channel airflow system and Odor Eliminator™ Evaporator removes odors and excess humidity
- Six adjustable half-width wire shelves
- One full-width metal shelf
- Two full-width slide-out wire baskets with tempered glass fronts
- Factory-installed automatic ice maker
  - One full-width ice storage drawer with two separate metal ice bins
  - Full-extension precision ball-bearing glides on all baskets and drawers
  - Three patented adjustable aluminum door bins with tempered glass fronts
  - Adaptive defrost
  - All-metal freezer interior
  - Super Clog-Resistant™ Condenser is maintenance-free under normal use
  - Tru-Flush™ design
    - Allows Professional Integrated and Custom Panel models to fit flush into 24" deep installation cutout
  - Open door alarm sounds and glows to warn that door has been ajar for three minutes
- Adjustable door stops standard—90°, 110°, or 120° swing
- Sabbath Mode
- For installation of two units side-by-side, a separate grille kit accessory must be purchased
- Must be ordered right or left hinge. (As you face unit, RIGHT has hinge on right side and handle on left side; LEFT has hinge on left side and handle on right side.)

## Model Options



VCFB530/VIFB530

### Professional/Professional Integrated

- FINISH DETAILS FOR VCFB/VIFB MODELS**
- Stainless Steel (SS), Black (BK), White (WH), Metallic Silver (MS), Graphite Gray (GG), Stone Gray (SG), Taupe (TP), Biscuit (BT), Cotton White (CW), Oyster Gray (OG), Golden Mist (GM), Lemonade (LE), Sage (SA), Mint Julep (MJ), Sea Glass (SE), Iridescent Blue (IB), Viking Blue (VB), Pumpkin (PM), Racing Red (RR), Apple Red (AR), Burgundy (BU), Plum (PL), Chocolate (CH), and Cobalt Blue (CB).
  - Finish codes designate door front. Stainless steel upper grille, side trim, and handle (with chrome-plated brackets); black lower kickplate.
  - Brass Accent Option (BR)—nameplate and handle endcaps. Brass components have a durable protective coating for maintenance-free normal use.

DDFB530  
Designer

- FINISH DETAILS FOR DDFB MODELS**
- Stainless Steel (SS), Black (BK), White (WH), Metallic Silver (MS), Graphite Gray (GG), Stone Gray (SG), Taupe (TP), Biscuit (BT), Cotton White (CW), Oyster Gray (OG), Golden Mist (GM), Lemonade (LE), Sage (SA), Mint Julep (MJ), Sea Glass (SE), Iridescent Blue (IB), Viking Blue (VB), Pumpkin (PM), Racing Red (RR), Apple Red (AR), Burgundy (BU), Plum (PL), Chocolate (CH), and Cobalt Blue (CB).
  - Finish codes designate door front. Stainless steel upper grille, side trim, and handle; black lower kickplate.

DFFB530  
Custom Panel

- FINISH DETAILS FOR DFFB MODEL**
- Handle not included—opt for custom handle, or purchase a Viking Professional Series or Designer Series handle kit (see **Installation Notes & Accessories**).
  - See **Custom Panels** section for more information and additional specifications.

### ORDERING INSTRUCTIONS

First specify model number, followed by hinge preference ("R" for right or "L" for left), and then color code (VCFB530**RSS**). If ordering optional brass accent, specify code at end (VCFB530**RSSBR**).





**VIKING**  
designer

# REFRIGERATION

## Quiet Cool™ Built-In 30" W. All Freezer



★ Please see Installation Notes & Accessories for important information, including panel, grille, trim, and handle kits.



ALL MODELS

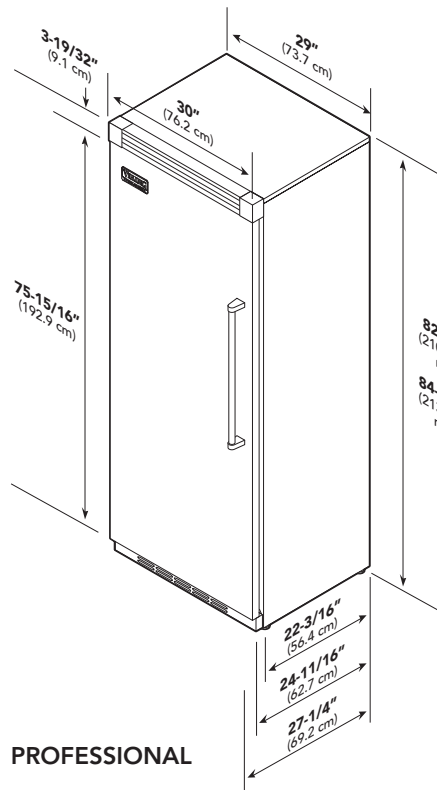
Star-K Kosher Certification for use on the Jewish Sabbath or Jewish holidays

### Dimensions & Specifications

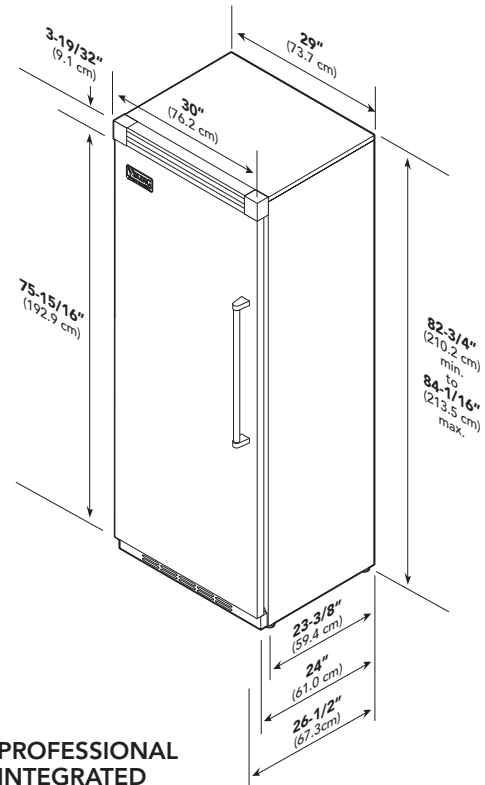
#### PRODUCT DIMENSIONS



VCFB530/VIFB530  
Professional/  
Professional Integrated



PROFESSIONAL



PROFESSIONAL  
INTEGRATED

	VCFB530	VIFB530
Overall width	30" (76.2 cm)	
Overall height (from bottom)	82-3/4" (210.2 cm) min. to 84-1/16" (213.5 cm) max.	
Overall depth (from rear)		
To front edge of side trim	22-3/16" (56.4 cm)	23-3/8" (59.4 cm)
To front of top grille	24-11/16" (62.7 cm)	24" (61.0 cm)
To front of handle	27-1/4" (69.2 cm)	26-1/2" (67.3 cm)
Approx. ship weight	530 lbs. (238.5 kg)	530 lbs. (238.5 kg)





**VIKING**  
designer

# REFRIGERATION

## Quiet Cool™ Built-In 30" W. All Freezer



★ Please see Installation Notes & Accessories for important information, including panel, grille, trim, and handle kits.



ALL MODELS

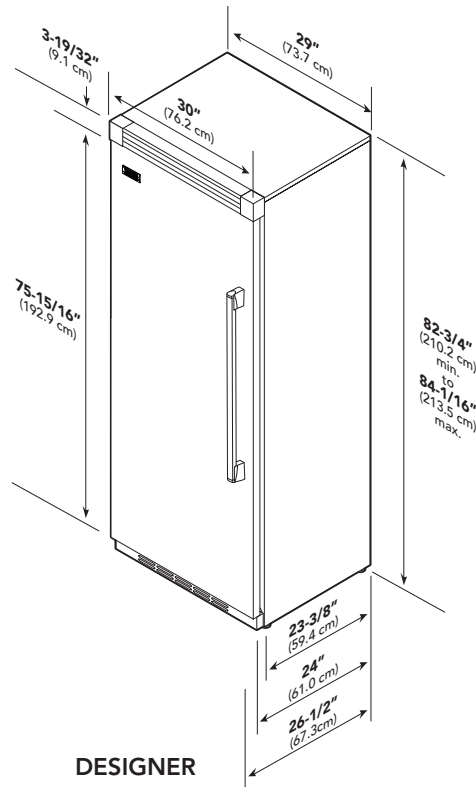
Star-K Kosher Certification for use on the Jewish Sabbath or Jewish holidays

### Dimensions & Specifications

#### PRODUCT DIMENSIONS



**DDFB530**  
Designer



#### DDFB530

Overall width	30" (76.2 cm)
Overall height (from bottom)	82-3/4" (210.2 cm) min. to 84-1/16" (213.5 cm) max.
Overall depth (from rear)	
To front edge of side trim	23-3/8" (59.4 cm)
To front of top grille	24" (61.0 cm)
To front of handle	26-1/2" (67.3 cm)
Approx. ship weight	530 lbs. (238.5 kg)





# REFRIGERATION

## Quiet Cool™ Built-In 30"W. All Freezer



★ Please see **Installation Notes & Accessories** for important information, including panel, grille, trim, and handle kits.



ALL MODELS

Star-K Kosher Certification for use on the Jewish Sabbath or Jewish holidays

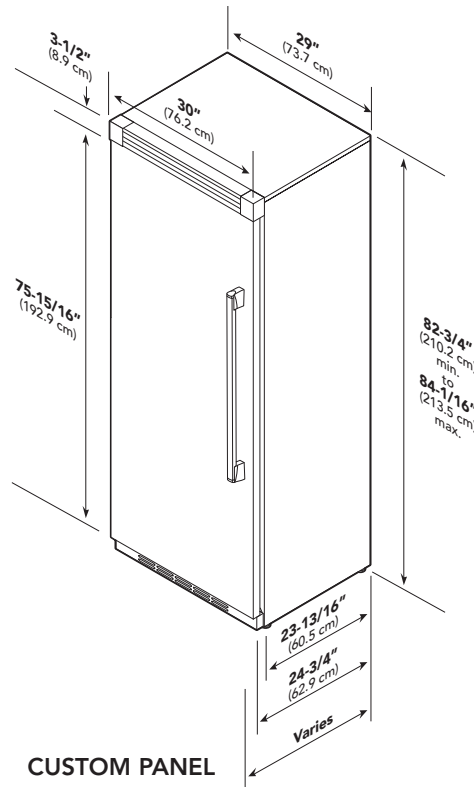
### Dimensions & Specifications

#### PRODUCT DIMENSIONS



**DFFB530**  
Custom Panel

See **Custom Panels** section for more information and additional specifications.



CUSTOM PANEL

<b>DFFB530</b>	
Overall width	<b>30" (76.2 cm)</b>
Overall height (from bottom)	<b>82-3/4" (210.2 cm) min. to 84-1/16" (213.5 cm) max.</b>
Overall depth (from rear)	
To front edge of side trim	<b>23-13/16" (60.5 cm)</b>
To front of top grille	<b>24-3/4" (62.9 cm)</b>
To front of handle	<b>Varies</b>
Approx. ship weight	<b>490 lbs. (220.5 kg)</b>





### Dimensions & Specifications

#### DOOR SWING

- Adjustable door stops standard—90°, 110°, or 120° swing



**VCFB530/VIFB530**  
Professional/  
Professional Integrated

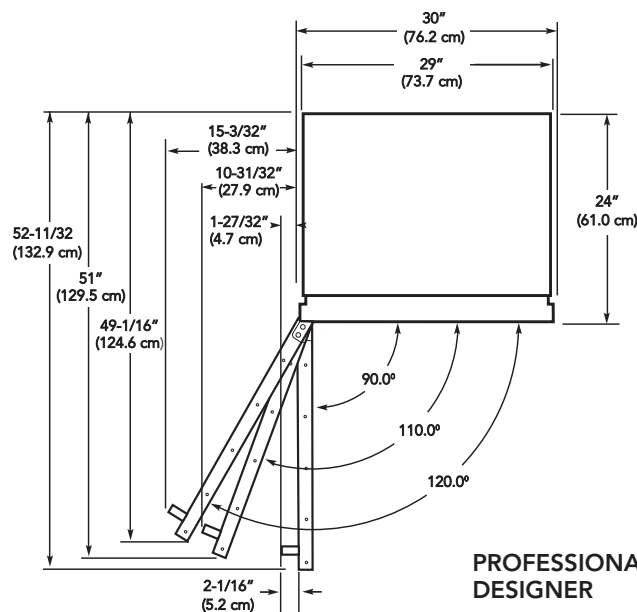
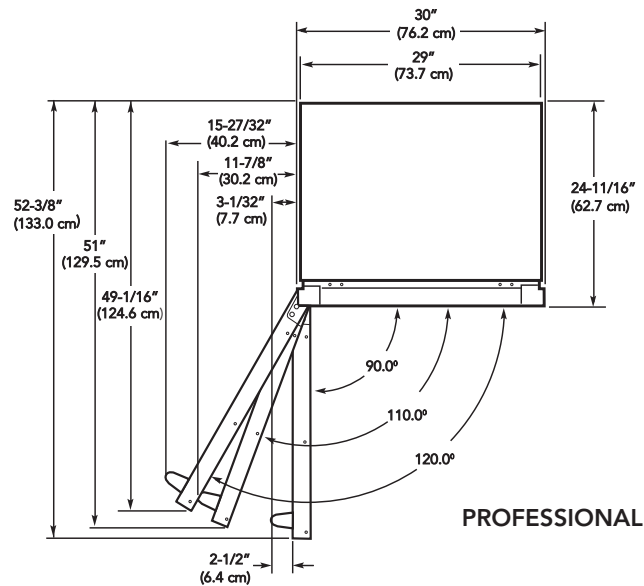


**DDFB530**  
Designer



**DFFB530**  
Custom Panel

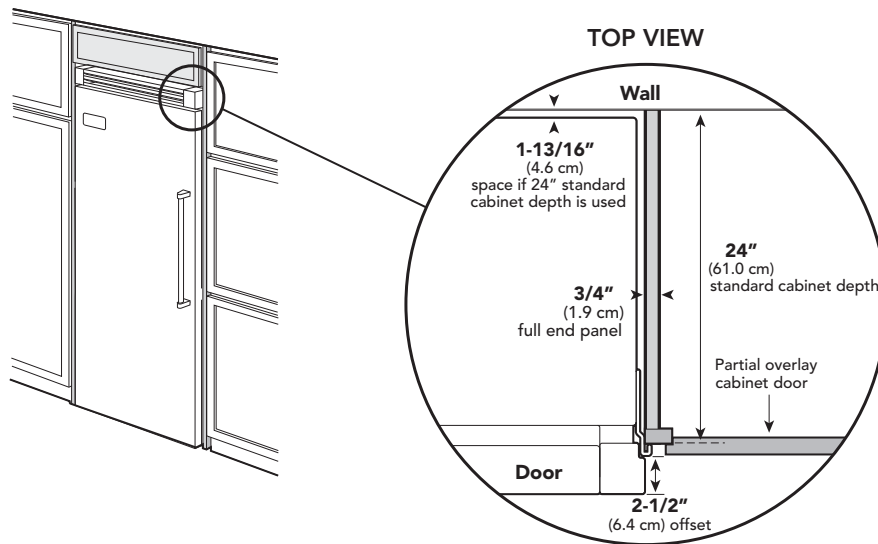
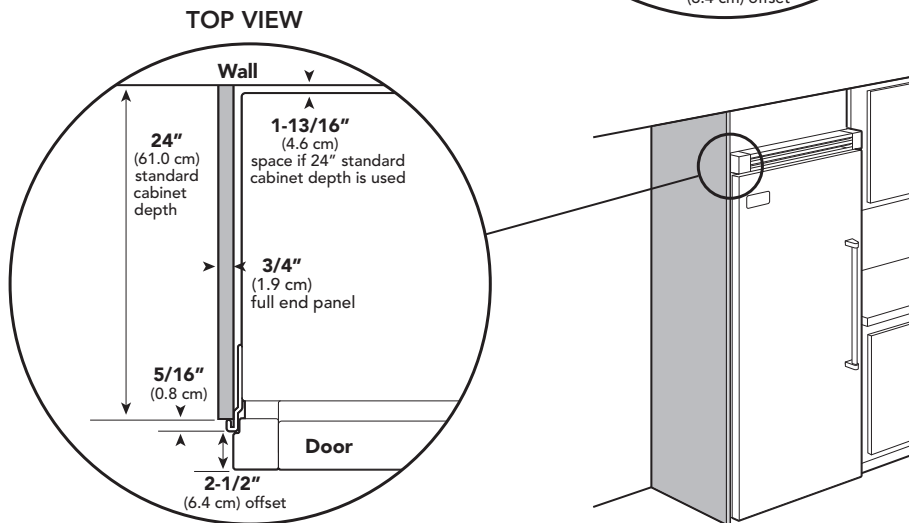
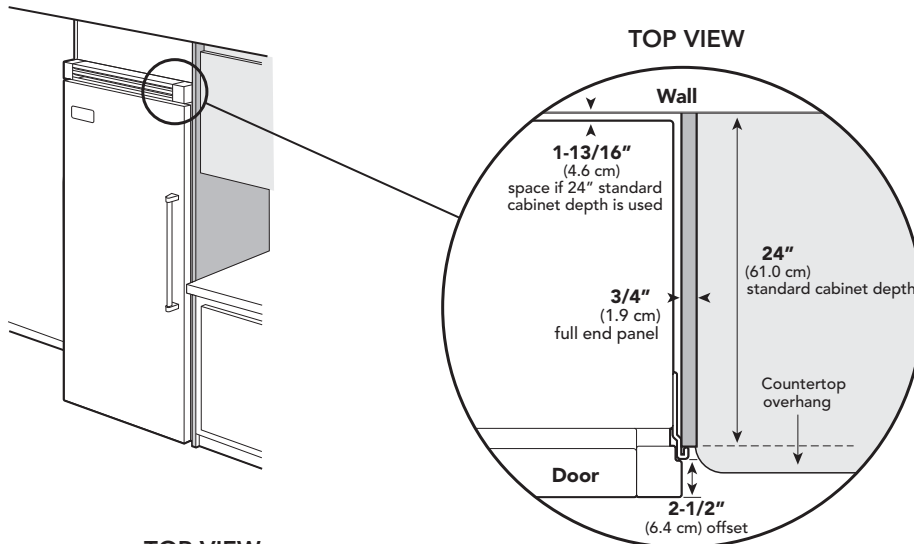
See **Custom Panels** section for more information and additional specifications.





## Dimensions & Specifications

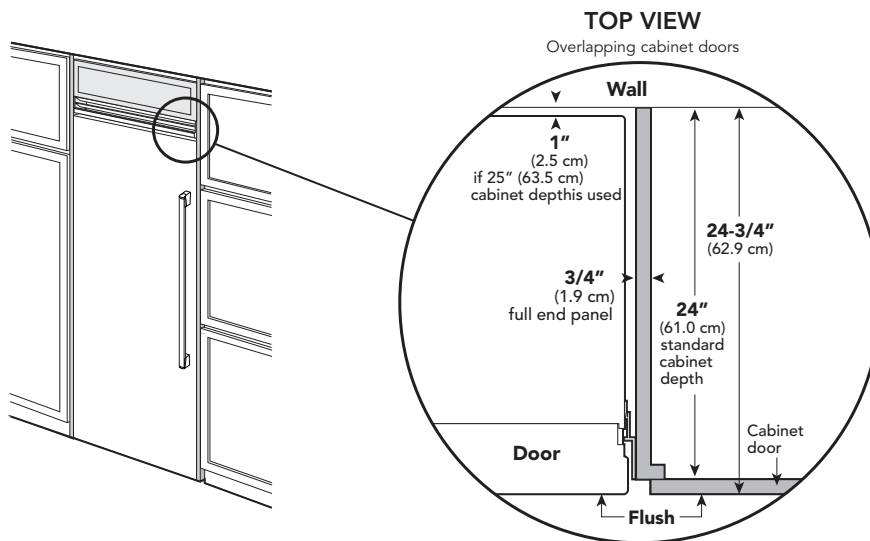
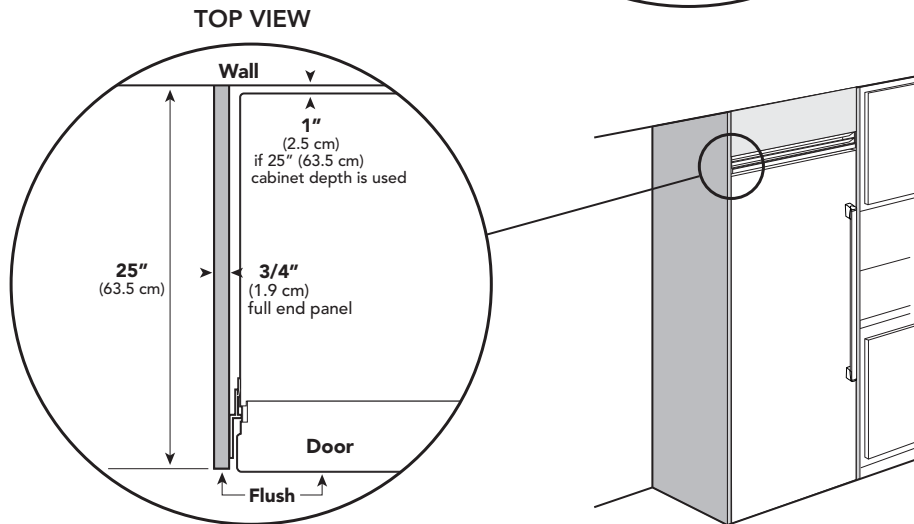
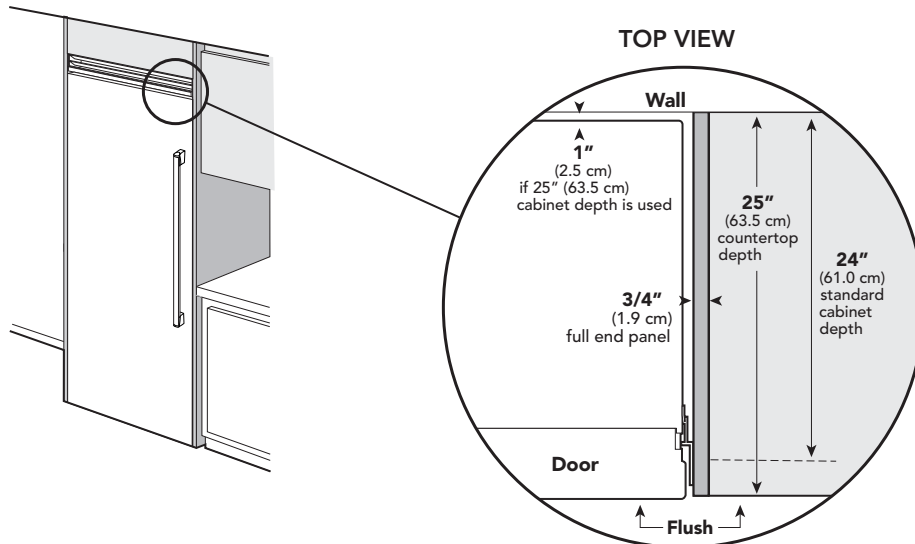
### CLEARANCE DIMENSIONS—PROFESSIONAL





## Dimensions & Specifications

### CLEARANCE DIMENSIONS—PROFESSIONAL INTEGRATED/DESIGNER





### UTILITY REQUIREMENTS



**GAS**  
Not applicable



- ELECTRICAL**
- Three-wire cord with grounded three-prong plug attached to product
  - 115 VAC/60 Hz; 15 amp dedicated circuit
  - Maximum amp usage—9.1
  - Estimated energy usage—601 kWh/year



- PLUMBING**
- Inlet waterline requirements—1/4" copper tubing
  - 20 psi min.; 120 psi max.

## Installation Requirements

### ACCESS REQUIREMENTS – Single Installation



**VCFB530/VIFB530**  
Professional/  
Professional Integrated

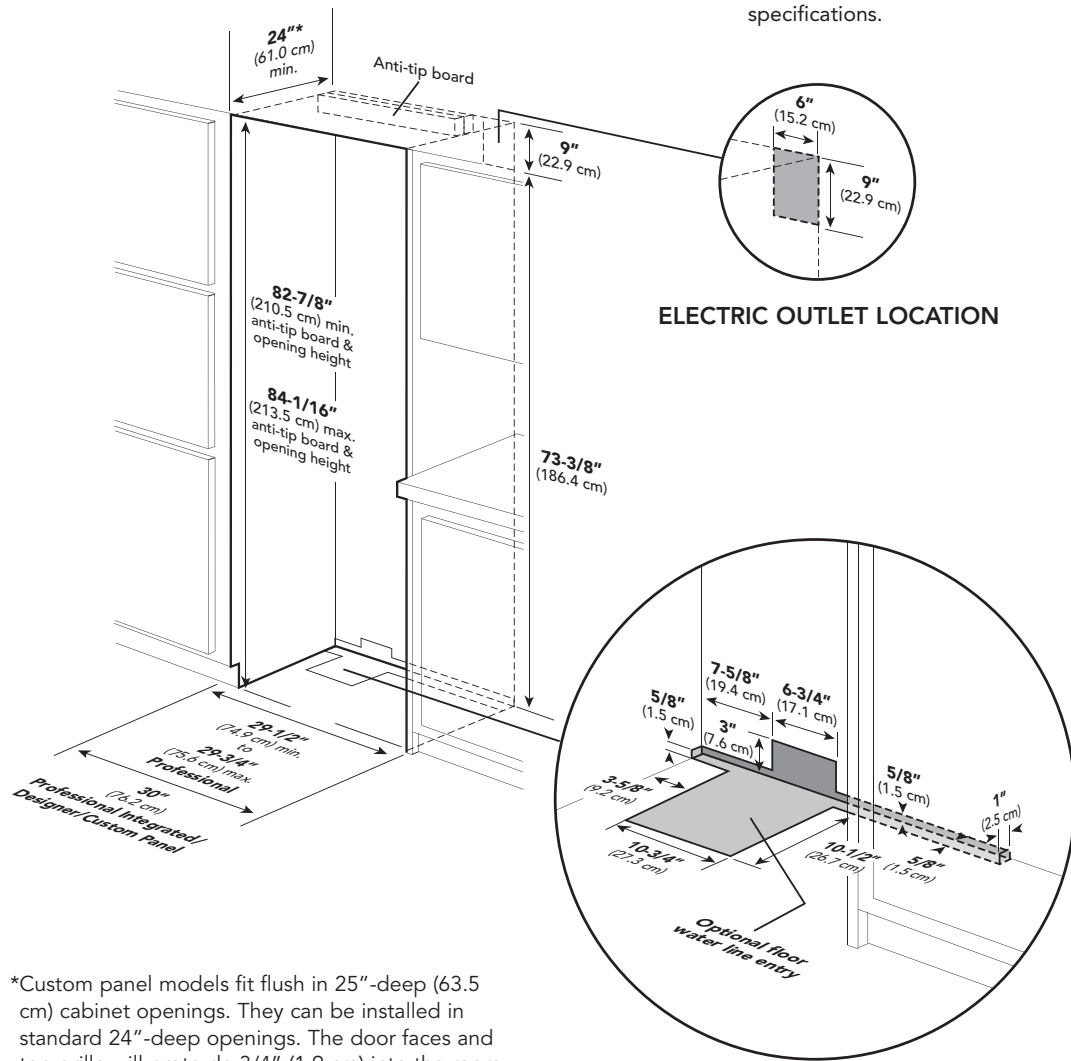


**DDFB530**  
Designer



**DFFB530**  
Custom Panel

See Custom Panels section for more information and additional specifications.



\*Custom panel models fit flush in 25"-deep (63.5 cm) cabinet openings. They can be installed in standard 24"-deep openings. The door faces and top grille will protrude 3/4" (1.9 cm) into the room.

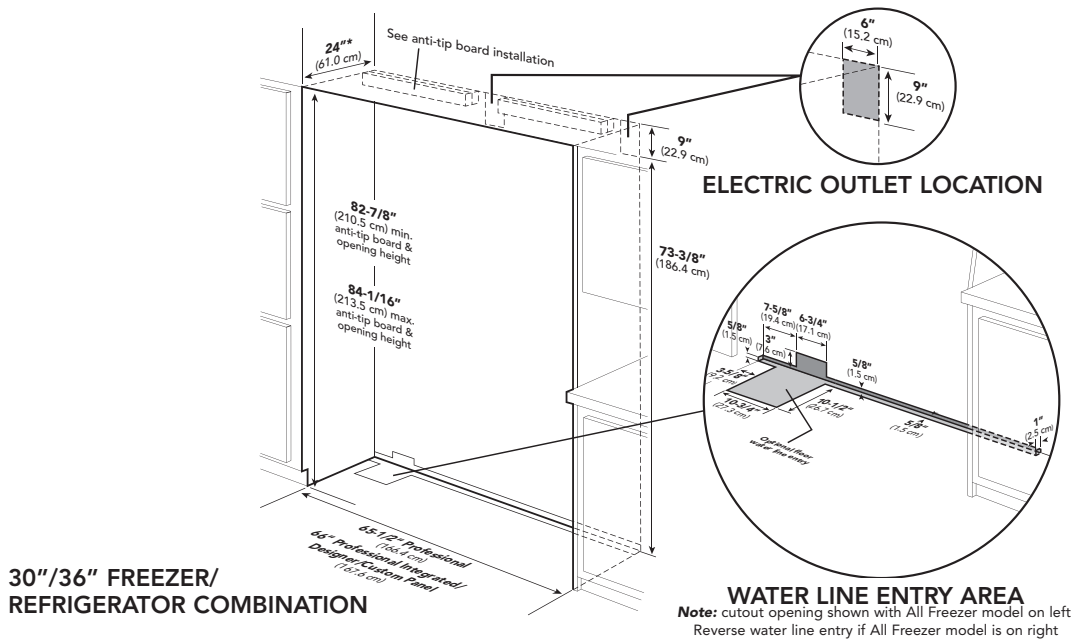
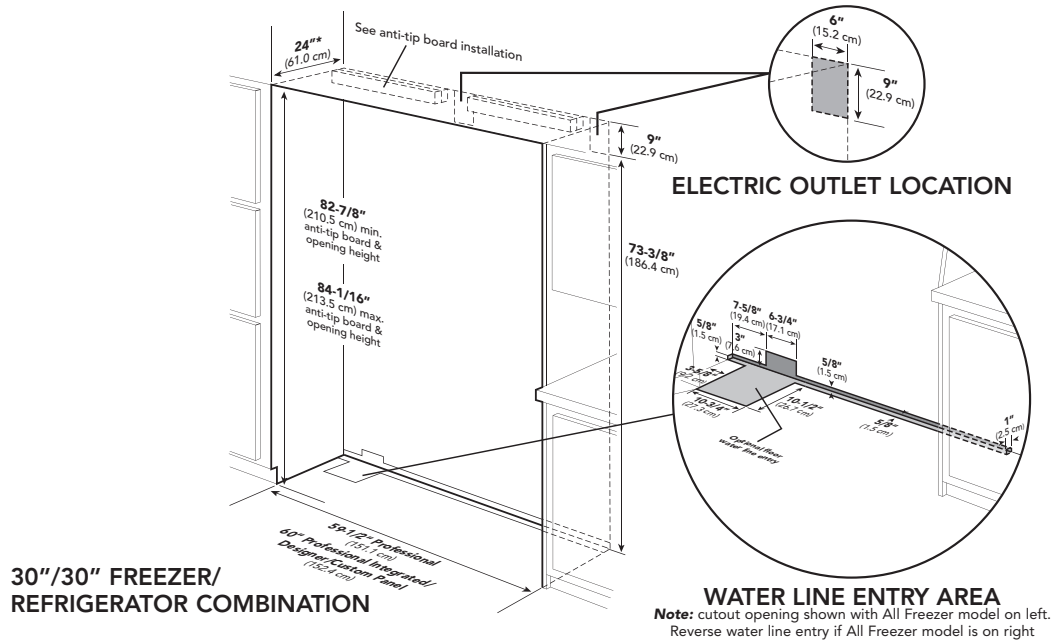
	VCFB530	VIFB530/DDFB530	DFFB530
Cutout width	29-1/2" (74.9 cm) min. to 29-3/4" (75.6 cm) max.	30" (76.2 cm)	30" (76.2 cm)
Cutout height	82-7/8" (210.5 cm) min. to 84-1/16" (213.5 cm) max.		
Cutout depth	24" (61.0 cm) min.*		





### Installation Requirements

#### ACCESS REQUIREMENTS – Dual Installation



\*Custom panel models fit flush in 25"-deep (63.5 cm) cabinet openings. They can be installed in standard 24"-deep openings. The door faces and top grille will protrude 3/4" (1.9 cm) into the room.

VCFB530/VCRB530	VIFB530/VIRB530/DDFB530/DRRB530	DFFB530/DFRB530
Cutout width	59-1/2" (151.1 cm)	60" (152.4 cm)
Cutout height	82-7/8" (210.5 cm) min. to 84-1/16" (213.5 cm) max.	
Cutout depth	24" (61.0 cm) min.*	
VCFB530/VCRB536	VIFB530/VIRB536/DDFB530/DRRB536	DFFB530/DFRB536
Cutout width	65-1/2" (166.4 cm)	66" (167.6 cm)
Cutout height	82-7/8" (210.5 cm) min. to 84-1/16" (213.5 cm) max.	
Cutout depth	24" (61.0 cm) min.*	



## ★ Installation Notes & Accessories

### Side Panel Kits

- Stainless Steel (SS)
- Panels provide finished, freestanding look; unit must still be secured to the wall
- Kit includes one panel and installation hardware

Model	Description	Approx. ship wt. lbs. (kg)
PSSPL2	Professional side panel left (VCFB)	45 (20.2)
PSSPR2	Professional side panel right (VCFB)	45 (20.2)
DSSPL2	Designer side panel left (VIFB/DDFB/DFFB)	45 (20.2)
DSSPR2	Designer side panel right (VIFB/DDFB/DFFB)	45 (20.2)

### Side Panel Hardware Kit

- For use with Designer built-in refrigerator/freezers
- Hardware allows installation of custom side panels
- Kit includes brackets, screws, and installation instructions to mount panels on left and right side

Model	Description	Approx. ship wt. lbs. (kg)
SPHKDS	Side panel hardware	3 (1.4)

### Top Panel Kit

- Stainless Steel (SS)
- Panel provides finished, freestanding look; unit must still be secured to the wall
- Kit includes one panel and installation hardware

Model	Description	Approx. ship wt. lbs. (kg)
TOP-30	30"W. top panel	21 (9.5)

### Top Grille Kits

- Stainless Steel (SS)
- 60"W. top grille kit—for use with installation of two 30"W. all refrigerators/all freezers side-by-side
- 66"W. top grille kit—for use with installation of one 30"W. and one 36"W. all refrigerators/all freezers side-by-side
- Grille creates a single unit look
- Kit includes one full-length grille, center cabinet trim connector, and all installation hardware

Model	Description	Approx. ship wt. lbs. (kg)
PGK60-SS	Professional 60"W. grille (for two VCRB/VCFB units)	21 (9.5)
PGK66-SS	Professional 66"W. grille (for two VCRB/VCFB units)	23 (10.4)
IGK60-SS	Professional Integrated 60"W. grille (for two VIRB/VIFB units)	21 (9.5)
IGK66-SS	Professional Integrated 66"W. grille (for two VIRB/VIFB units)	23 (10.4)
DDGK60-SS	Designer 60"W. grille (for two DDRB/DDFB/DFRB/DFFB units)	21 (9.5)
DDGK66-SS	Designer 66"W. grille (for two DDRB/DDFB/DFRB/DFFB units)	23 (10.4)

### Center Trim Kit

- Stainless Steel (SS)
- Kit includes center cabinet trim connector to install two custom front units with wood top grille

Model	Description	Approx. ship wt. lbs. (kg)
FCTK-SS	Center trim	5 (2.3)





# REFRIGERATION

## Quiet Cool™ Built-In 30"W. All Freezer



### Handle Kits

- For use with custom panel freezers
- For use on locally supplied custom panels
- Handles allow refrigerator/freezers with custom panels to coordinate with other Professional and Designer products
- Kit includes handle(s) and installation hardware

Model	Description	Approx. ship wt. lbs. (kg)
PHK28-SS	Professional one handle (Stainless Steel)	7 (3.2)
DDHK41-SS	Designer one handle (Stainless Steel)	7 (3.2)
PHKDFSB5-SS	Professional two handles (Stainless Steel)	10 (4.5)
DDHKDFSB5-SS	Designer two handles (Stainless Steel)	10 (4.5)

### Compliance Information



### WARRANTY SUMMARY\*

- Three-year full warranty—complete unit (Professional)
- Two-year full warranty—complete unit (Designer)
- Six-year full warranty—sealed refrigeration system
- Twelve-year limited warranty—sealed refrigeration system (includes compressor, condenser, dryer/strainer, evaporator, and connecting tubing)
- Ninety-day limited warranty—cosmetic parts such as glass, painted, and decorative items (Professional and Designer)

\*For complete warranty see *Use & Care Guide*. Warranty valid on Viking products shipped within the United States and Canada.

