



## Standard Features & Accessories

### All models include

- Must purchase and install an interior- or exterior-power ventilator (motor) kit (see **Installation Requirements** table for recommendations)
- For use with custom hoods
  - The look and performance of Viking ventilation in a blank canvas for virtually endless overlay options
  - Easily installs into almost any custom hood application
- Powerful enough to handle even the most pungent cooking odors
- Heat sensor on hood turns ventilator on full power when cooking temperatures reach uncomfortable levels
- Variable speed controls for custom venting—separate on/off switch allows you to leave ventilator at favorite/most-used setting
- Quiet fans also keep temperatures down
- Heavy-duty construction
  - Virtually seamless stainless steel design with no visible screws
- Easy cleanup
  - Design of low-profile filter system means less interior hood space to be cleaned
  - Stainless steel liner for increased rigidity, seamless appearance, and easy cleaning
- 50-watt halogen lights with dimmer control (bulbs included)

- Power switch and dimmer control are separate, allowing you to leave dimmer at favorite position
- See **Dimensions & Specifications** table for number of lights per model

### Professional models include

- Professional-type size, design, and styling
- Heat lamps standard on wall ventilator systems (bulbs not included)
- Commercial-type baffle filter system efficiently removes grease and heated vapors from the air; especially designed for use with commercial-type products
  - See **Dimensions & Specifications** table for number of filters per model
- Removable trough catches liquefied grease, making cleanup quick and easy

### Designer models include

- Elegant design and styling
- 12-hour timer built into ventilator controls
- Delay feature allows you to set the ventilator to shut off on its own from 10 – 30 minutes later
- Dishwasher-safe, stainless steel mesh filters efficiently remove grease and heated vapors from the air, and are easily removed for quick cleaning
  - See **Dimensions & Specifications** table for number of filters per model

### Model numbers

#### PROFESSIONAL CUSTOM WALL

**VENTILATOR SYSTEMS** (for use with custom wall hoods)

- VBCV30381—30"W./18"H./22"D.
- VBCV36381—36"W./18"H./22"D.
- VBCV42381—42"W./18"H./22"D.
- VBCV48381—48"W./18"H./22"D.
- VBCV54381—54"W./18"H./22"D.
- VBCV60381—60"W./18"H./22"D.
- VBCV66381—66"W./18"H./22"D.

#### PROFESSIONAL CUSTOM ISLAND

**VENTILATOR SYSTEMS** (for use with custom island hoods)

- VICV36981—36"W./18"H./29"D.
- VICV42981—42"W./18"H./29"D.
- VICV54981—54"W./18"H./29"D.
- VICV66981—66"W./18"H./29"D.

#### DESIGNER CUSTOM WALL VENTILATOR

**SYSTEMS** (for use with custom wall hoods)

- DBCV30821—30"W./12"H./18"D.
- DBCV36821—36"W./12"H./18"D.
- DBCV42821—42"W./12"H./18"D.
- DBCV48821—48"W./12"H./18"D.

#### DESIGNER CUSTOM ISLAND VENTILATOR

**SYSTEMS** (for use with custom island hoods)

- DICV36321—36"W./12"H./23"D.
- DICV42321—42"W./12"H./23"D.
- DICV54321—54"W./12"H./23"D.

## Model Options



**VBCV Professional Custom Wall Ventilator System**



**VICV Professional Custom Island Ventilator System**



**DBCV Designer Custom Wall Ventilator System**



**DICV Designer Custom Island Ventilator System**

### FINISH DETAILS

- Designed to be covered by custom materials—no standard exterior finish
- Stainless steel interior
- See **Custom Panels** section for more information and additional specifications.



★ Please see Installation Notes & Accessories for important information, including ventilator kits.

### Dimensions & Specifications

#### PRODUCT DIMENSIONS



**VBCV Professional Custom Wall Ventilator System**



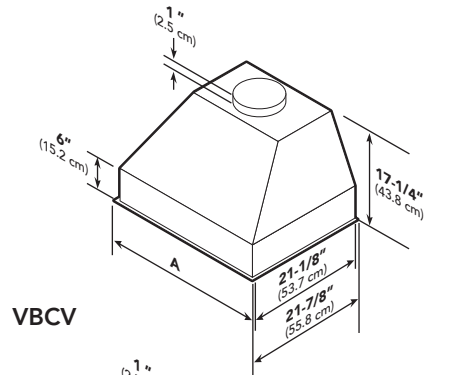
**VICV Professional Custom Island Ventilator System**



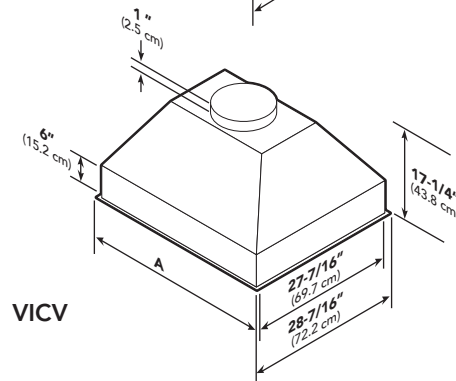
**DBCV Designer Custom Wall Ventilator System**



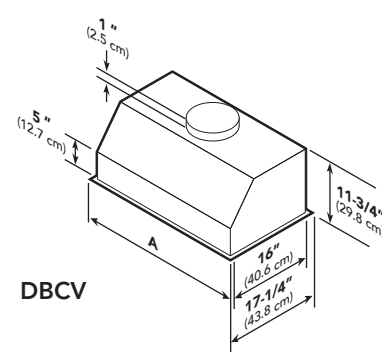
**DICV Designer Custom Island Ventilator System**



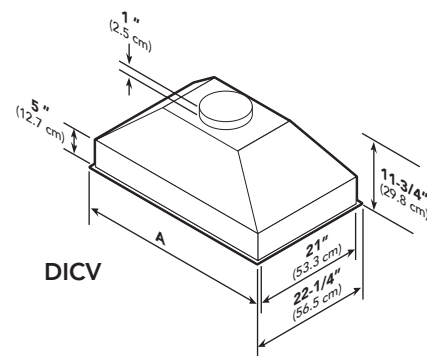
**VBCV**



**VICV**



**DBCV**



**DICV**

Model	Width (A)	Hood Depth	Height	Lights	Filters	Heat Lamps	Approx. Ship. wt.
VBCV30381	28-1/4" (71.8 cm)	21-7/8" (55.8 cm)	17-1/4" (43.8 cm)	2	2	1	60 lbs. (27.0 kg)
VBCV36381	34-1/4" (87.0 cm)	21-7/8" (55.8 cm)	17-1/4" (43.8 cm)	2	2	1	68 lbs. (30.6 kg)
VBCV42381	40-1/4" (102.2 cm)	21-7/8" (55.8 cm)	17-1/4" (43.8 cm)	2	2	1	76 lbs. (34.2 kg)
VBCV48381	46-1/4" (117.5 cm)	21-7/8" (55.8 cm)	17-1/4" (43.8 cm)	3	3	2	88 lbs. (39.6 kg)
VBCV54381	52-1/4" (132.7 cm)	21-7/8" (55.8 cm)	17-1/4" (43.8 cm)	3	3	2	96 lbs. (43.2 kg)
VBCV60381	58-1/4" (148.0 cm)	21-7/8" (55.8 cm)	17-1/4" (43.8 cm)	4	4	2	108 lbs. (48.6 kg)
VBCV66381	64-1/4" (163.2 cm)	21-7/8" (55.8 cm)	17-1/4" (43.8 cm)	4	4	2	121 lbs. (54.5 kg)
VICV36981	34-1/4" (87.0 cm)	28-7/16" (72.2 cm)	17-1/4" (43.8 cm)	4	4	N/A	73 lbs. (33.1 kg)
VICV42981	40-1/4" (102.2 cm)	28-7/16" (72.2 cm)	17-1/4" (43.8 cm)	4	4	N/A	83 lbs. (37.7 kg)
VICV54981	52-1/4" (132.7 cm)	28-7/16" (72.2 cm)	17-1/4" (43.8 cm)	6	6	N/A	115 lbs. (52.2 kg)
VICV66981	64-1/4" (163.2 cm)	28-7/16" (72.2 cm)	17-1/4" (43.8 cm)	8	8	N/A	128 lbs. (58.1 kg)
DBCV30821	29-5/8" (75.2 cm)	17-1/4" (43.8 cm)	11-3/4" (29.8 cm)	2	2	N/A	63 lbs. (28.4 kg)
DBCV36821	35-5/8" (90.5 cm)	17-1/4" (43.8 cm)	11-3/4" (29.8 cm)	2	2	N/A	70 lbs. (31.5 kg)
DBCV42821	41-5/8" (105.7 cm)	17-1/4" (43.8 cm)	11-3/4" (29.8 cm)	2	3	N/A	77 lbs. (34.7 kg)
DBCV48821	47-5/8" (121.0 cm)	17-1/4" (43.8 cm)	11-3/4" (29.8 cm)	2	3	N/A	85 lbs. (38.3 kg)
DICV36321	35-5/8" (90.5 cm)	22-1/4" (40.6 cm)	11-3/4" (29.8 cm)	4	2	N/A	88 lbs. (40.0 kg)
DICV42321	41-5/8" (105.7 cm)	22-1/4" (40.6 cm)	11-3/4" (29.8 cm)	4	2	N/A	96 lbs. (43.6 kg)
DICV54321	53-5/8" (136.2 cm)	22-1/4" (40.6 cm)	11-3/4" (29.8 cm)	4	3	N/A	106 lbs. (48.1 kg)



### Installation Requirements



**VBCV Professional Custom Wall Ventilator System**



**VICV Professional Custom Island Ventilator System**



**DBCV Designer Custom Wall Ventilator System**



**DICV Designer Custom Island Ventilator System**

### UTILITY REQUIREMENTS

Proper installation/ducting is extremely important to ensure maximum performance. Use a qualified and trained installer.



#### DUCTING

- Check with a qualified and trained installer or local codes for makeup air requirements, if any.
- Max. duct run length
  - For 300 – 1,200 CFM—50' (15.24 m)
  - For 1,500 CFM—75' (22.9 m)
- Duct run length is for general reference only; always use a qualified and trained installer.



#### GAS

Not applicable



#### ELECTRICAL

- Hardwire direct with two-wire ground
- 120 VAC/60 Hz
- Max. amp usage (rating includes recommended ventilator kit rating)—see **Installation Requirements** table



#### PLUMBING

Not applicable

**Note:** Exhaust capacity based on tests with 0.1 static pressure. Without applying static pressure (some brands do not), CFM could be greatly overstated.

Model	Ventilator Kits		Duct Size		Max. Amps	
	Interior	Exterior	Interior	Exterior/In-Line	Interior	Exterior
VBCV30381	VINV300/600/1200*	DEV900/1200* DIL900/1200*	7" (17.8 cm)/ 10" (25.4 cm)	10" (25.4 cm)	5.0/6.2/8.7	8.7/6.1/3.0/4.8
VBCV36381	VINV300/600/1200*	DEV900/1200* DIL900/1200*	7" (17.8 cm)	10" (25.4 cm)	5.0/6.2/8.7	8.7/6.1/3.0/4.8
VBCV42381	VINV600/1200*	DEV900/1200* DIL900/1200*	7" (17.8 cm)	10" (25.4 cm)	6.2/8.7	8.7/6.1/3.0/4.8
VBCV48381	VINV1200*	DEV1200*/1500/DIL1200*	10" (25.4 cm)	10" (25.4 cm)	11.1	8.4/9.1/4.8
VBCV54381	VINV1200*	DEV1200*/1500/DIL1200*	10" (25.4 cm)	10" (25.4 cm)	11.1	8.4/9.1/4.8
VBCV60381	VINV1200*	DEV1200*/1500/DIL1200*	10" (25.4 cm)	10" (25.4 cm)	11.5	8.8/9.5/4.8
VBCV66381	VINV1200*	DEV1200*/1500/DIL1200*	10" (25.4 cm)	10" (25.4 cm)	11.5	8.8/9.5/4.8
VICV36981	VINV600/VIV1200*	DEV900/1200*/DIL900/DIL1200*	7" (17.8 cm)	10" (25.4 cm)	4.9/7.4	7.4/4.7/3.0/4.8
VICV42981	VINV600/1200*	DEV900/1200*/1500/ DIL900/DIL1200*	7" (17.8 cm)	10" (25.4 cm)	4.9	7.4/4.8/5.4/3.0/4.8
VICV54981	VINV1200*	DEV1200*/1500/DIL1200	10" (25.4 cm)	10" (25.4 cm)	8.2	5.6/6.2/4.8
VICV66981	VINV1200*	DEV1200*/1500/DIL1200	10" (25.4 cm)	10" (25.4 cm)	9.0	6.3/7.1/4.8
DBCV30821	VINV300/600	DEV900**/1200*/DIL900/DIL1200	7" (17.8 cm)	10" (25.4 cm)	1.7/3.2	6.6/3.9/3.0/4.8
DBCV36821	VINV300/600	DEV900**/1200*/DIL900/DIL1200	7" (17.8 cm)	10" (25.4 cm)	1.7/3.2	6.6/3.9/3.0/4.8
DBCV42821	VINV600	DEV900**/1200*/DIL900/DIL1200	7" (17.8 cm)	10" (25.4 cm)	3.2	6.6/3.9/3.0/4.8
DBCV48821	VINV1200	DEV1200*/1500/DIL1200*	10" (25.4 cm)	10" (25.4 cm)	5.6	4.3/5.1/4.8
DICV36321	VINV600	DEV900**/1200* DIL900/DIL1200	7" (17.8 cm)	10" (25.4 cm)	4.0	7.5/5.2/3.0/4.8
DICV42321	VINV600	DEV900**/1200/1500 DIL900/DIL1200	7" (17.8 cm)	10" (25.4 cm)	4.0	7.5/5.2/6.0/3.0/4.8
DICV54321	VINV1200	DEV1200/1500/DIL1200	10" (25.4 cm)	10" (25.4 cm)	6.4	5.2/6.0/4.8

\*1200 CFM interior and exterior (if applicable) ventilator should be used with all outdoor approved models and when indoor models are installed over ranges/rangetops with gas grill.

\*\*Must use 8" duct from canopy to ceiling – transition to 10" duct past duct cover.



## ✦ Installation Notes & Accessories

### Ventilator Kits

- See **Installation Requirements** table for recommendations for each hood model
- One ventilator, one duct run for any size hood/ventilator
- A 1,200 CFM interior or 1,500 CFM exterior (if applicable) ventilator should be used over ranges/rangetops with gas grill
- Must use Viking ventilator kits with Viking hoods; use of non-Viking kits voids product warranty

Kit model	Description	Hood models	Approx. ship wt. lbs. (kg)
VINV300	300 CFM interior-power	VBCV3038/3638 & DBCV3082/3682	27 (12.2)
VINV600	600 CFM interior-power	VBCV3038/3638/4238 & VICV3698/4298 DBCV3082/3682/4282 & DICV3632/4232	27 (12.2)
VINV1200	1,200 CFM interior-power	VBCV3038/3638/4238/4838/5438/6038/6638 & VICV3698/5498/6698 & DBCV4882 & DICV5432	43 (19.4)
DEV900	900 CFM exterior-power	DBCV3082/3682/4282 & DICV3632/4232 VBCV3038/3638/4238 & VICV3698/4298	39 (17.6)
DEV1200	1,200 CFM exterior-power	DBCV3082/3682/4282/4882 & DICV3632/4232/5432 VBCV4838/5438/6038/6638 & VICV3698/4298/5498/6698	53 (23.9)
DEV1500	1,500 CFM exterior-power	DBCV4882 & DICV4232/5432 VBCV4838/5438/6038/6638 & VICV4298/5498/6698	53 (23.9)
DIL900	900 CFM in-line power	DBCV3082-DBCV4282 & DICV3632/4232 VBCV3038/3638/4238 & VICV3698/4298	20 (9.1)
DIL1200	1,200 CFM in-line power	DBCV3082-DBCV4882 & DICV3632-DICV5432 VBCV3038-VBCV6638 & VICV3698-VICV6698	25 (11.3)

### Compliance Information



### WARRANTY SUMMARY\*

- Three-year full warranty—complete product (Professional and Designer)
- Five-year limited warranty—all ventilator motors (Professional and Designer)
- Ninety-day limited warranty—cosmetic parts such as glass, painted, and decorative items (Professional and Designer)

\*Must use Viking ventilator kits with Viking hoods; use of non-Viking kits voids product warranty. For complete warranty see *Use & Care Guide*.  
Warranty valid on Viking products shipped within the United States and Canada.

