



### Standard Features & Accessories

#### Each oven includes

- Overall capacity (each oven)—5.1 cu. ft.
  - o 29"W. x 16-1/8"H. x 18-3/4"D.
- AHAM standard capacity (each oven)—4.2 cu. ft.
  - o 29"W. x 16-1/8"H. x 15-3/8"D.
- Commercial-type styling
- Self-clean ovens
- High performance cooking modes
  - o Convection
    - TruConvec™ convection cooking (element around fan)
  - o Convection bake
  - o Convection broil (eight-pass element)
  - o Convection dehydrate
  - o Convection defrost
  - o Conventional
    - Two-element bake
  - o Mini-Broil (four-pass element)
  - o Maxi-Broil (eight-pass element)
  - o Electronic clock/timer
    - o 100 minute timer
- o Set cooking time for up to 12 hours
- o Delay cooking feature
- o Tone and digital display indicate pre-set cooking time is finished
- o Also functions as an alarm
- Three heavy-duty racks/six rack positions/two lights

### Model Options



VESO166  
36"W. Single Oven



VEDO266  
36"W. Double Oven

#### FINISH DETAILS FOR ALL MODELS

- Stainless Steel (SS), Black (BK), White (WH), Metallic Silver (MS), Graphite Gray (GG), Stone Gray (SG), Taupe (TP), Biscuit (BT), Cotton White (CW), Oyster Gray (OG), Golden Mist (GM), Lemonade (LE), Sage (SA), Mint Julep (MJ), Sea Glass (SE), Iridescent Blue (IB), Viking Blue (VB), Pumpkin (PM), Racing Red (RR), Apple Red (AR), Burgundy (BU), Plum (PL), Chocolate (CH), and Cobalt Blue (CB).
  - o Finishes designate door front(s). Stainless steel control panel with black knobs/switches.
- Black (BK)
  - o Finish designates door front(s). Black control panel and knobs/switches.
- White (WH)
  - o Finish designates door front(s). White control panel and knobs/switches.
- Silver finished vertical/horizontal trim and stainless steel handles (with chrome-plated brackets)
- Brass Trim Option (BR)—nameplate, window trim, door handle/brackets, and knob bezels. Brass components have a durable protective coating for maintenance-free normal use.

#### ORDERING INSTRUCTIONS

First specify model number, and then color code (VESO166SS). If ordering optional brass trim, specify code at end (VESO166SSBR).





**COOKING**

**Professional Built-In Electric  
36"W. Single/Double Oven**



Star-K Kosher  
certification for use  
on the Jewish  
Sabbath or Jewish  
holidays

**Dimensions & Specifications**

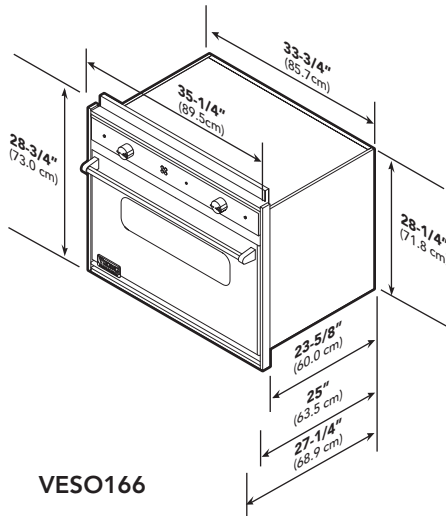
**PRODUCT DIMENSIONS & DOOR SWING**



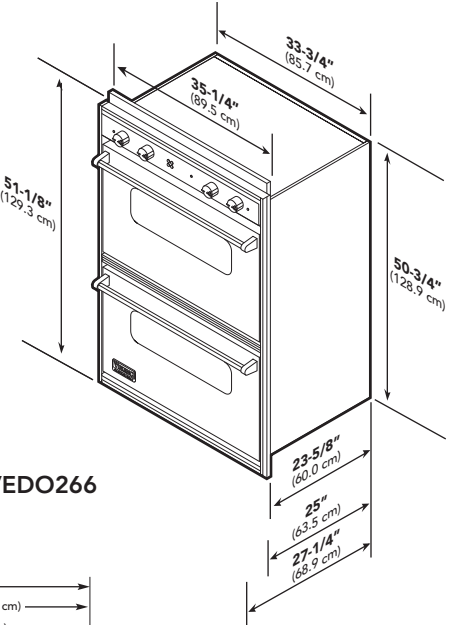
**VESO166**  
36"W. Single Oven



**VEDO266**  
36"W. Double Oven

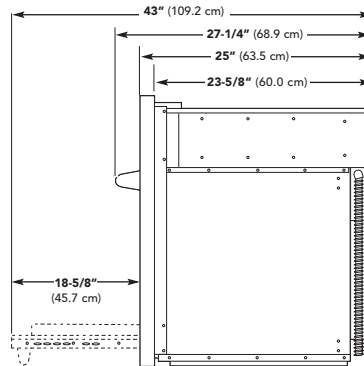


**VESO166**



**VEDO266**

**VESO166/VEDO266**



|                              | <b>VESO166</b>      | <b>VEDO266</b>           |
|------------------------------|---------------------|--------------------------|
| Overall width                |                     | <b>35-1/4" (89.5 cm)</b> |
| Overall height (from bottom) | 28-3/4" (73.0 cm)   | 51-1/8" (129.3 cm)       |
| Overall depth (from rear)    |                     |                          |
| To edge of door              |                     | <b>25" (63.5 cm)</b>     |
| To end of handle bracket     |                     | <b>27-1/4" (68.9 cm)</b> |
| With door open               |                     | <b>43" (109.2 cm)</b>    |
| Interior (each oven)         |                     |                          |
| Width                        |                     | <b>29" (73.7 cm)</b>     |
| Height                       |                     | <b>16-1/8" (41.0 cm)</b> |
| Depth                        |                     | <b>15-3/8" (39.1 cm)</b> |
| Approx. ship weight          | 330 lbs. (148.6 kg) | 575 lbs. (148.6 kg)      |





UTILITY REQUIREMENTS



GAS

- Not applicable



ELECTRICAL

- Four-wire with ground 240-208/120VAC/60 Hz, 40-amp electrical connection. Unit is equipped with no. 10 ground wire in conduit. Should be fused separately.
- Maximum amp usage—(240V/208V)
  - o Single—30 amp
  - o Double—50 amp



PLUMBING

Not applicable

Installation Requirements

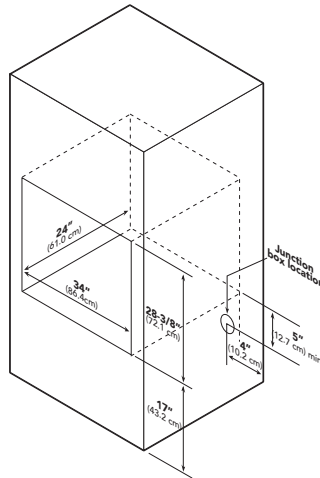
ACCESS REQUIREMENTS



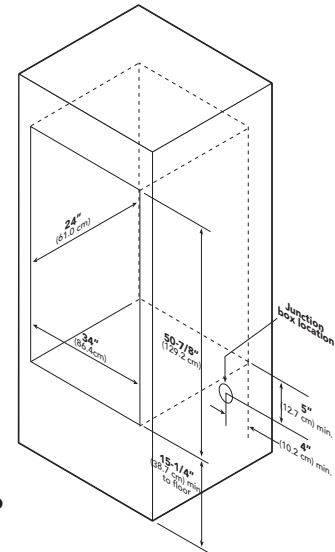
VESO166 36"W. Single Oven



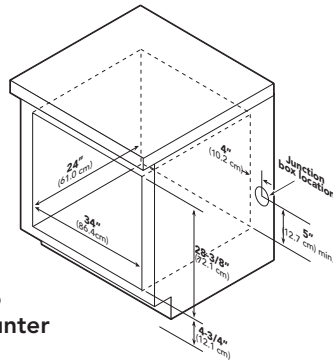
VEDO266 36"W. Double Oven



VESO166 Built-In



VEDO266 Built-In



VESO166 Undercounter

|                             | VESO166                | VEDO266                |
|-----------------------------|------------------------|------------------------|
| Cutout width                | 34" (86.4 cm)          |                        |
| Cutout height (from bottom) | 28-3/8" (72.1 cm)      | 50-7/8" (129.2 cm)     |
| (from floor)                | 4-3/4" (12.1 cm) min.* | 15-1/4" (38.7 cm) min. |
|                             | 17" (43.2 cm) min.**   |                        |
| Cutout depth                |                        | 24" (61.0 cm)          |

\*undercounter installation

\*\*wall installation





## ★ Installation Notes & Accessories

### Hearth Stone

- Hard-fired ceramic baking stone
- Absorbs heat and sends it back into food during cooking
- Can be used in all Viking built-in ovens

| Model | Description                    | Approx. ship wt. lbs. (kg) |
|-------|--------------------------------|----------------------------|
| OHS18 | 17-5/8"W. x 13"D. hearth stone | 13 (5.9)                   |

### V-rack & Drip Pan

- No stick V-rack can be used for cooking roasts, hams, ribs, etc.
- Drip pan catches drippings from items cooked in V-rack to generate flavor and prevent flare-ups

| Model | Description       | Approx. ship wt. lbs. (kg) |
|-------|-------------------|----------------------------|
| CVD   | V-rack & drip pan | 4 (1.8)                    |

### Broiler Pan & Tray

- For use with all Viking built-in and range ovens
- Heavy-duty porcelainized construction
- Tray allows drippings to fall through to broiler pan
- Tray is removable for easy cleaning

| Model | Description        | Approx. ship wt. lbs. (kg) |
|-------|--------------------|----------------------------|
| BPT   | Broiler pan & tray | 5.5 (2.5)                  |

### Broiler Pan Rack

- For use with Viking broiler tray
- Provides better broiling and roasting options in convection modes

| Model | Description      | Approx. ship wt. lbs. (kg) |
|-------|------------------|----------------------------|
| BPR   | Broiler pan rack | 1 (0.45)                   |

## Compliance Information



## WARRANTY INFORMATION\*

- Three-year full warranty—complete product
- Five-year limited warranty—all oven elements
- Ten-year limited warranty—porcelain oven(s) and porcelain inner door panel
- Ninety-day limited warranty—cosmetic parts such as glass, painted, and decorative items

\* For complete warranty see *Use & Care Guide*. Warranty valid on Viking products shipped within the United States and Canada.

