

WMR (MRI WALL SCONCE)

SAFETY AND INSTALLATION INSTRUCTIONS

FIXTURES MUST BE INSTALLED BY A QUALIFIED ELECTRICIAN (CHECK WITH LOCAL AND NATIONAL CODES FOR PROPER INSTALLATION). TO PREVENT ELECTRICAL SHOCK, DISCONNECT ELECTRICAL SUPPLY BEFORE INSTALLATION OR SERVICING.

1. READ ALL INSTRUCTIONS PRIOR TO INSTALLATION.
2. DISCONNECT ELECTRICAL POWER BEFORE SERVICING LUMINAIRE.
3. TO AVOID DAMAGE, KEEP LUMINAIRE IN ORIGINAL CARTON.
4. DO NOT PLACE HEAVY OBJECTS ON CARTONS.

UNIT DESCRIPTION

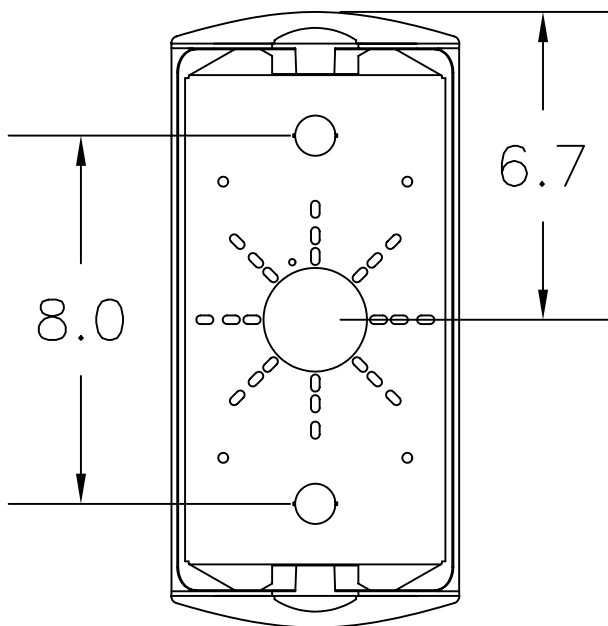
WMR 1'

Dimensions: 4.0" H x 6.3" W x 13.4" L

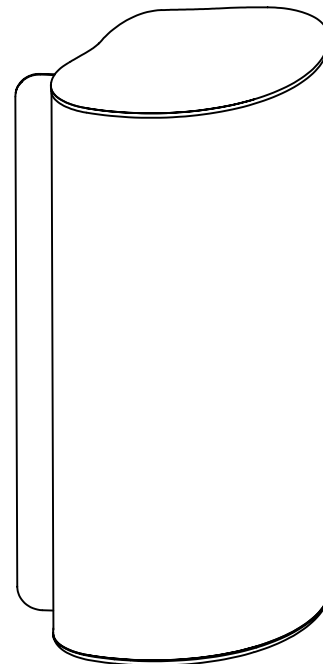
Weight: 2 lbs

FOR USE IN MRI FACILITIES

USE NON FERROUS
MOUNTING HARDWARE



WMR 1'



CONTRACTOR IS RESPONSIBLE FOR ADEQUATELY REINFORCING WALLS AND/OR CEILINGS TO SUPPORT FIXTURE WEIGHT. FOCAL POINT, L.L.C. ACCEPTS NO RESPONSIBILITY FOR INADEQUATELY REINFORCED WALLS AND/OR CEILINGS.

THE INFORMATION CONTAINED IN THIS DRAWING IS THE SOLE PROPERTY OF FOCAL POINT LLC. ANY REPRODUCTION IN PART OR WHOLE WITHOUT THE WRITTEN PERMISSION OF FOCAL POINT LLC IS PROHIBITED.

2005 © FOCAL POINT LLC



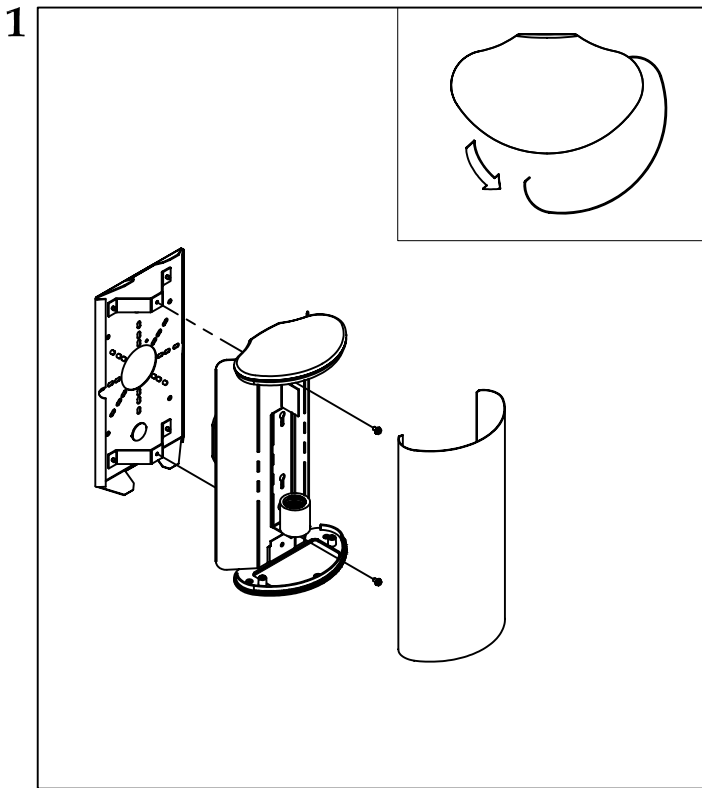
INSTALLATION GUIDE NO.

IS0222

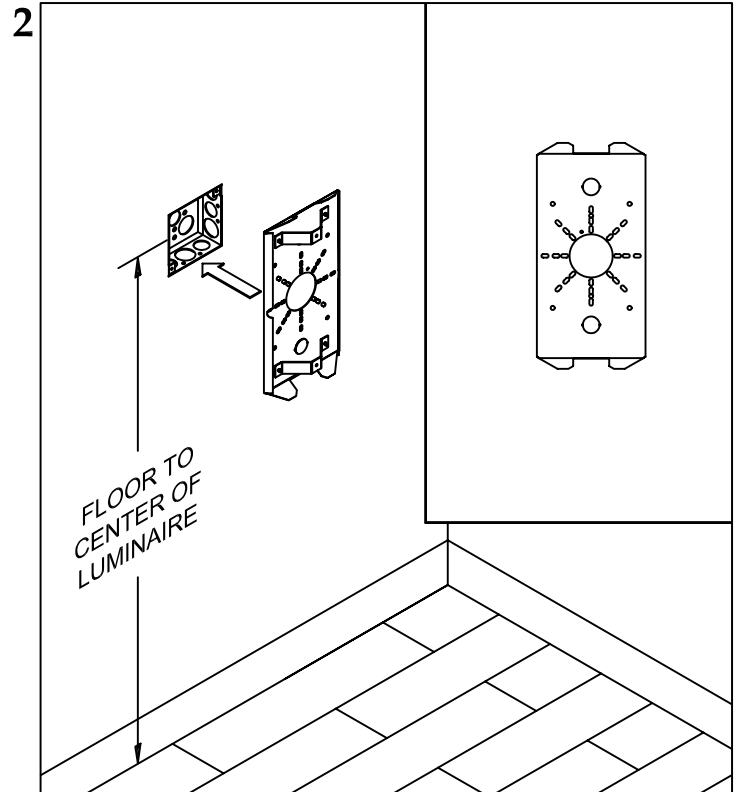
DWG. NO.

REV. A

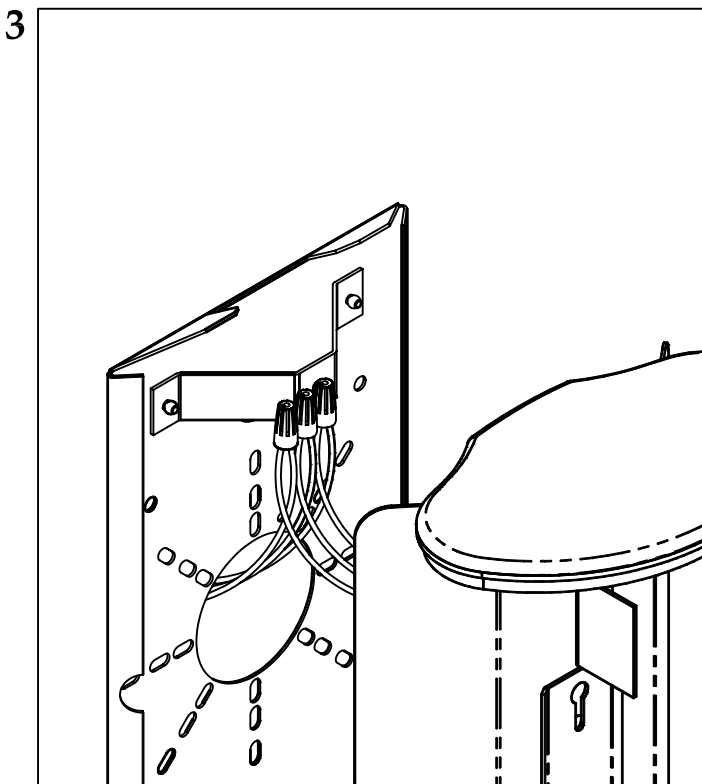
INSTALLATION GUIDE



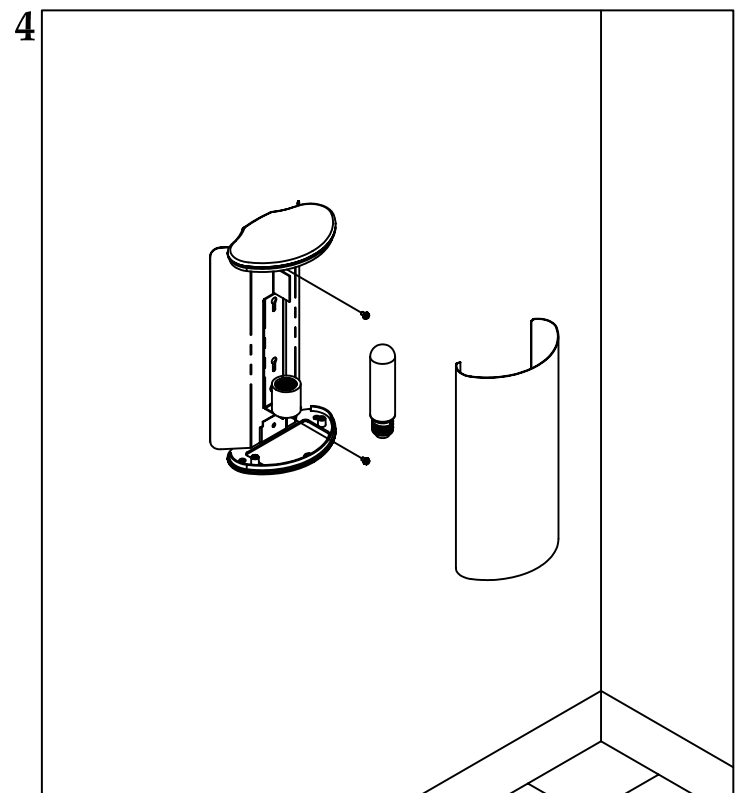
REMOVE BACK PLATE ASSEMBLY FROM LUMINAIRE AS SHOWN.



ALIGN WIRING ACCESS HOLE TO JUNCTION BOX AND MOUNT BACK PLATE ASSEMBLY SECURELY TO WALL. (MOUNTING HARDWARE BY OTHERS)



MAKE ELECTRICAL CONNECTION (WIRE CONNECTORS BY OTHERS).



REPLACE LUMINAIRE HOUSING, INSTALL LAMP AND PERFORATED SHIELD TO COMPLETE INSTALLATION.