

# FS4 (SUSPENDED)

## SAFETY AND INSTALLATION INSTRUCTIONS

FIXTURES MUST BE INSTALLED BY A QUALIFIED ELECTRICIAN (CHECK WITH LOCAL AND NATIONAL CODES FOR PROPER INSTALLATION). TO PREVENT ELECTRICAL SHOCK, DISCONNECT ELECTRICAL SUPPLY BEFORE INSTALLATION OR SERVICING.

1. READ ALL INSTRUCTIONS PRIOR TO INSTALLATION.
2. DISCONNECT ELECTRICAL POWER BEFORE SERVICING LUMINAIRE.
3. TO AVOID DAMAGE, KEEP LUMINAIRE IN ORIGINAL CARTON.
4. DO NOT PLACE HEAVY OBJECTS ON CARTONS.

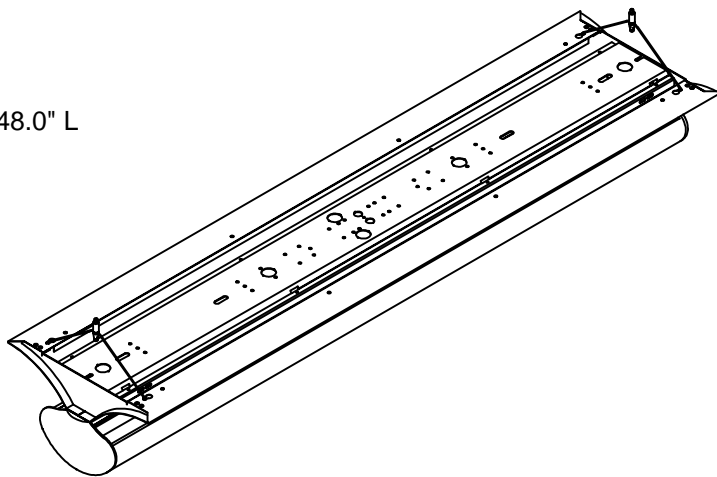
### UNIT DESCRIPTION

#### FS4 (SUSPENDED)

##### 1X4

Dimensions: 6.5" H x 11.8" W x 48.0" L

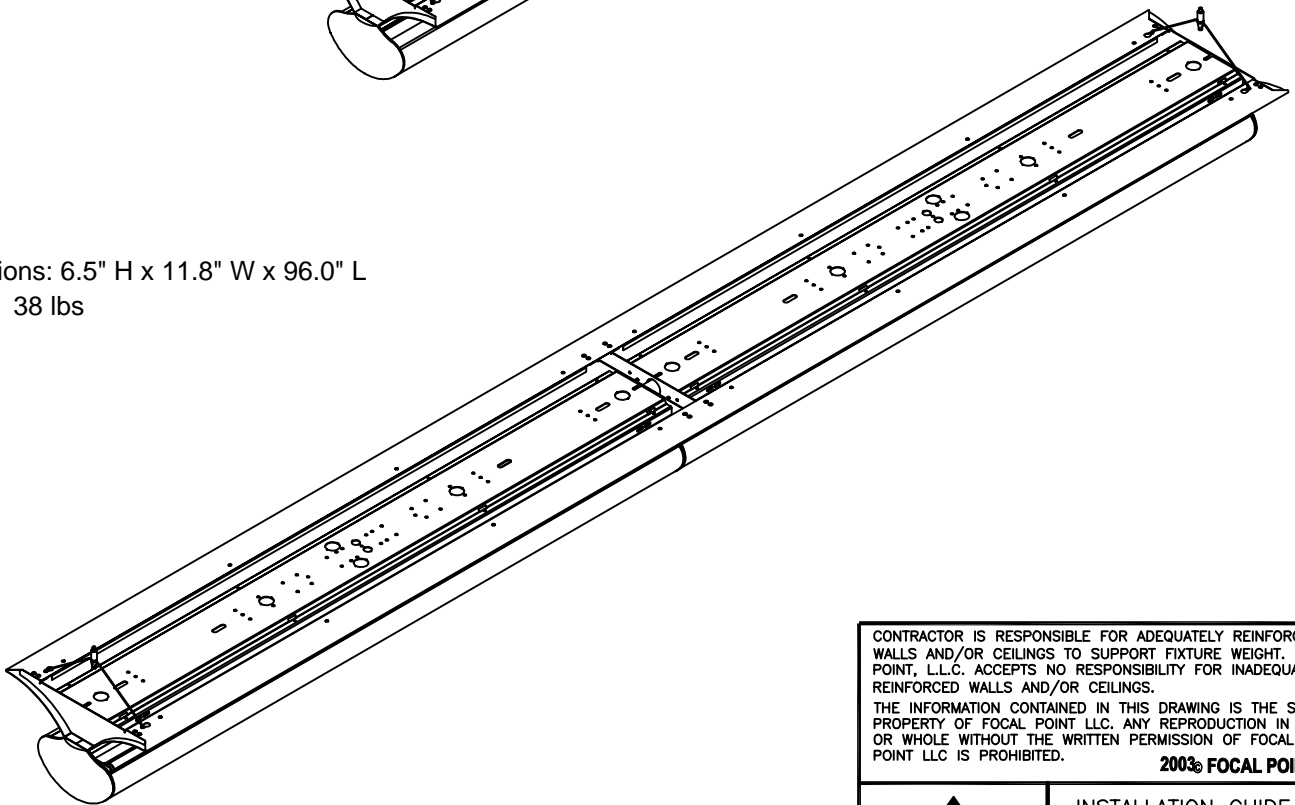
Weight: 19 lbs



##### 1X8

Dimensions: 6.5" H x 11.8" W x 96.0" L

Weight: 38 lbs



CONTRACTOR IS RESPONSIBLE FOR ADEQUATELY REINFORCING WALLS AND/OR CEILINGS TO SUPPORT FIXTURE WEIGHT. FOCAL POINT, L.L.C. ACCEPTS NO RESPONSIBILITY FOR INADEQUATELY REINFORCED WALLS AND/OR CEILINGS.

THE INFORMATION CONTAINED IN THIS DRAWING IS THE SOLE PROPERTY OF FOCAL POINT LLC. ANY REPRODUCTION IN PART OR WHOLE WITHOUT THE WRITTEN PERMISSION OF FOCAL POINT LLC IS PROHIBITED.

2003 FOCAL POINT LLC



FOCAL POINT

INSTALLATION GUIDE NO.

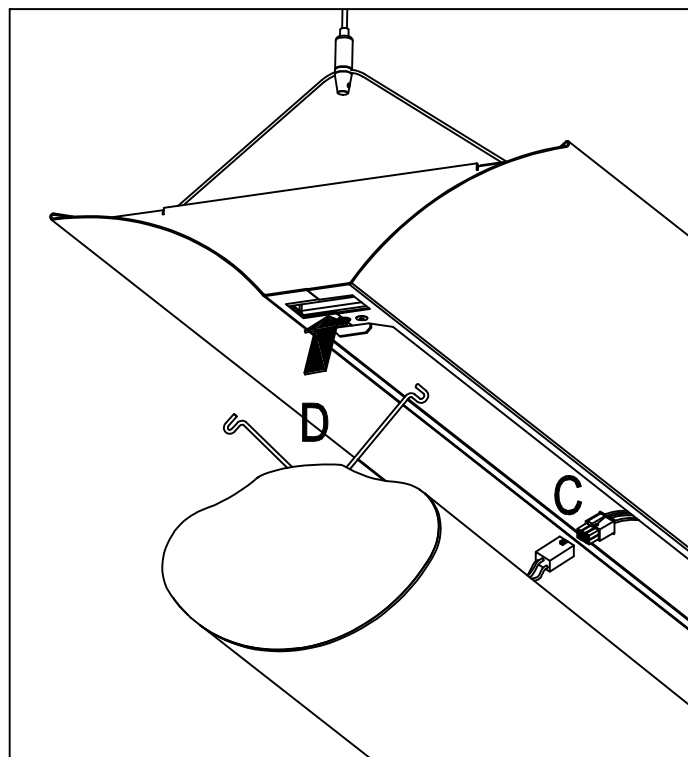
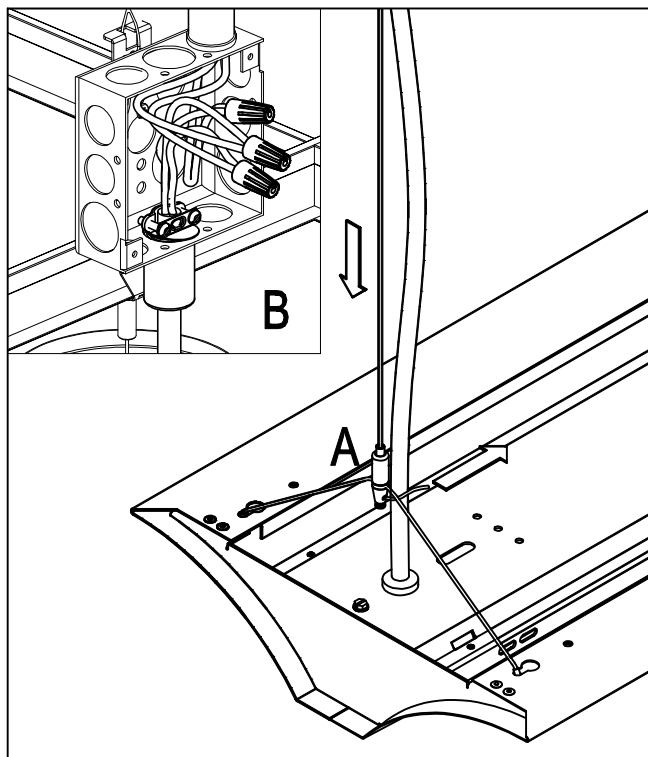
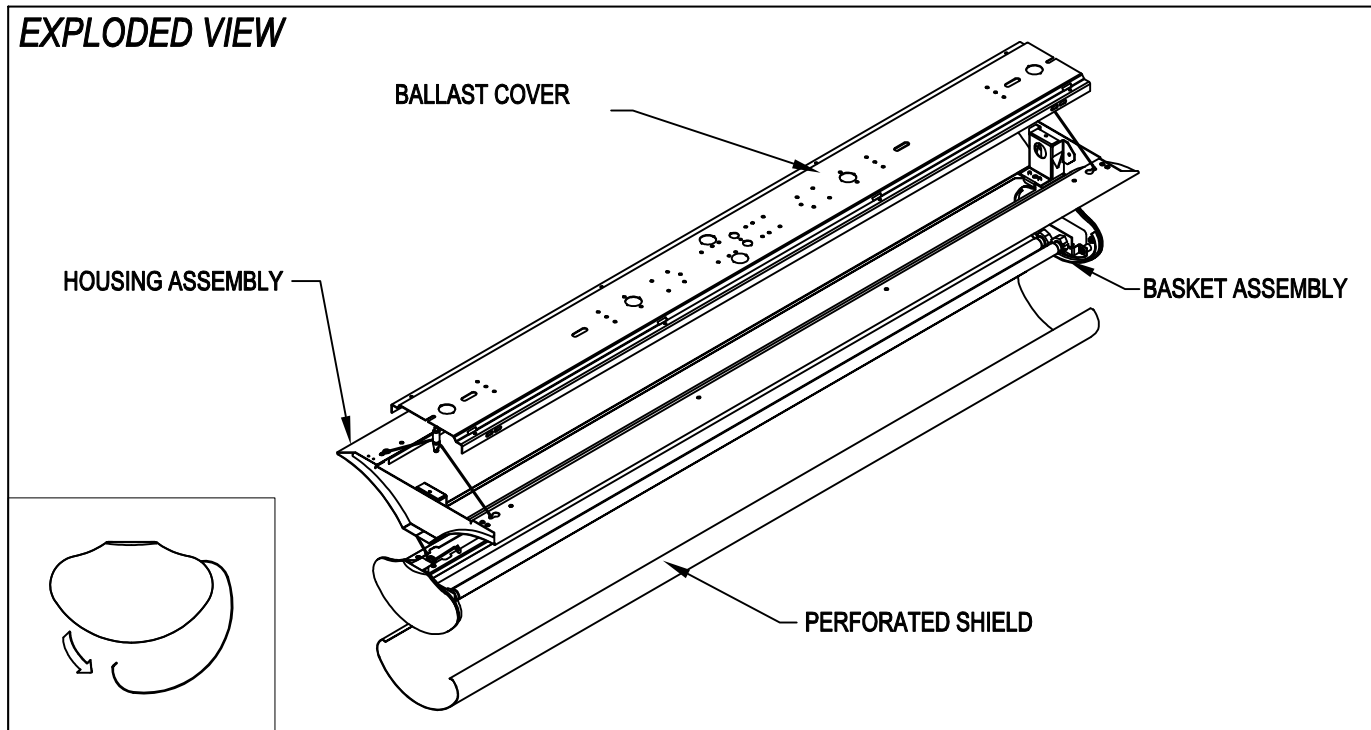
IS0210

DWG. NO.

REV. A

# INDIVIDUAL UNIT INSTALLATION

## EXPLODED VIEW



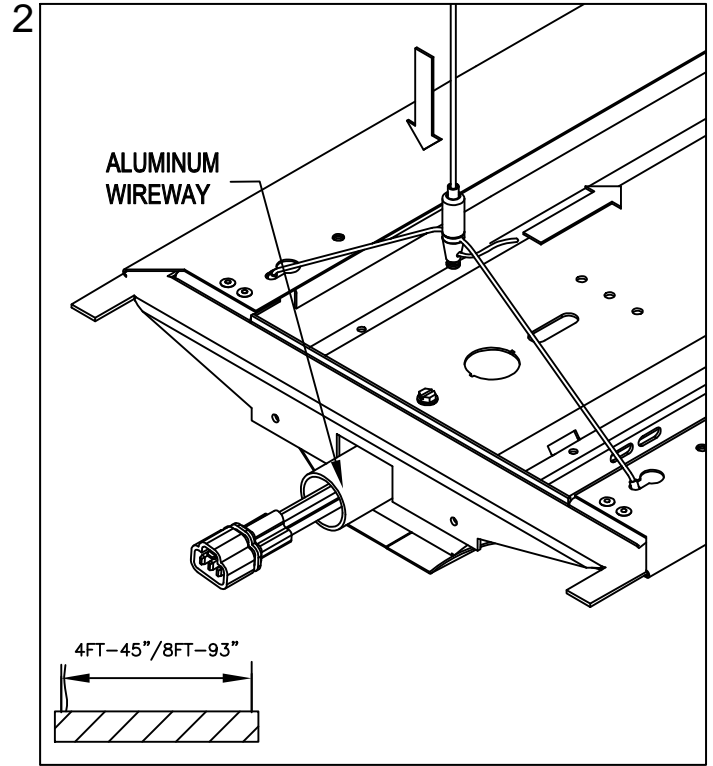
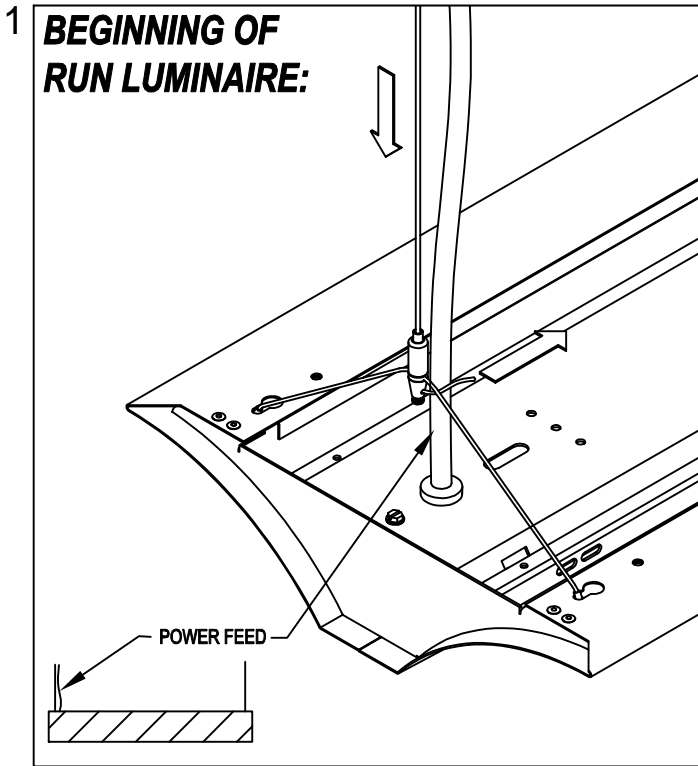
A. FEED AIRCRAFT CABLE INTO ADJUSTER. TO ADJUST MOUNTING HEIGHT, DEPRESS PLUNGER ON ADJUSTER WHILE SUPPORTING LUMINAIRE. REPEAT ON THE OPPOSITE END. ONCE LUMINAIRE IS LEVEL, TRIM EXCESS CABLE AT ADJUSTER END.

B. MAKE ELECTRICAL CONNECTION AT JUNCTION BOX.

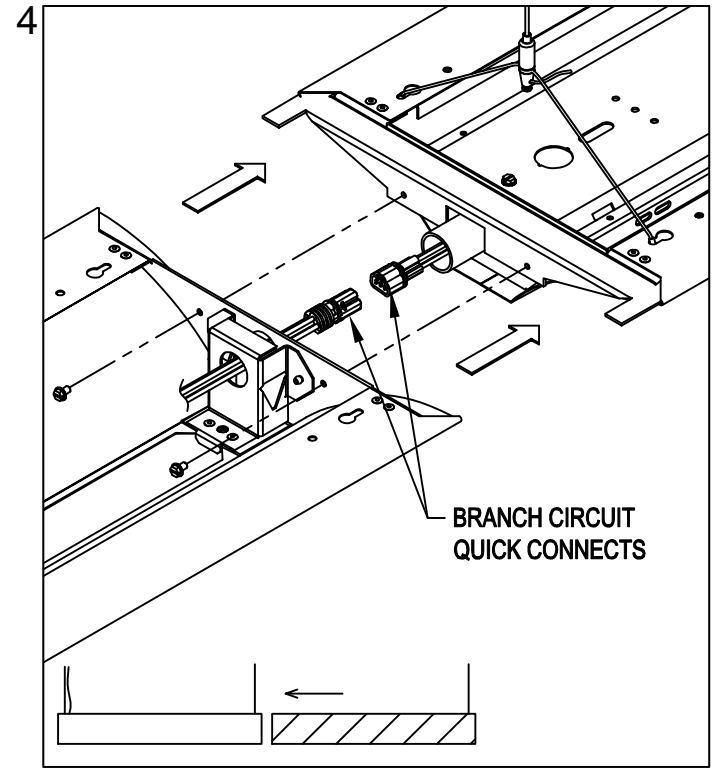
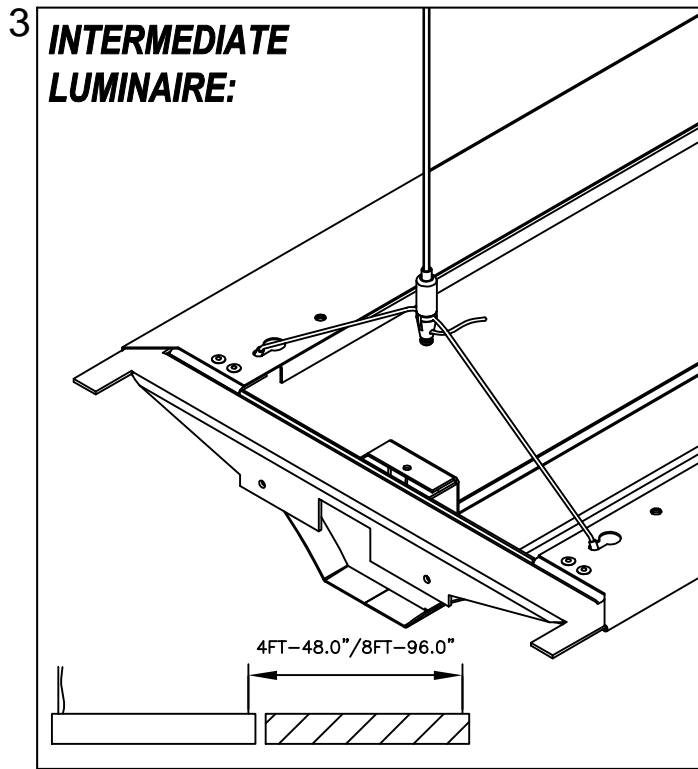
C. INSERT TORSION SPRINGS INTO RECEIVING HOLES AND CONNECT "QUICK DISCONNECT" PLUG.

D. PUSH BASKET ASSEMBLY UPWARD UNTIL TORSION SPRINGS PULL ASSEMBLY FIRMLY AGAINST HOUSING. INSTALL LAMPS AND REPLACE PERFORATED SHIELD TO COMPLETE INDIVIDUAL UNIT INSTALLATION.

# ROW MOUNT INSTALLATION



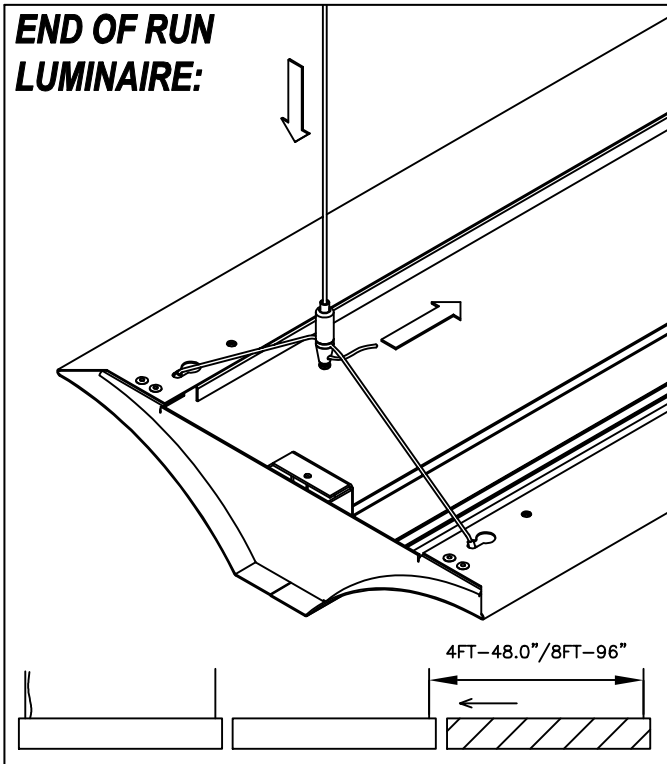
FEED AIRCRAFT CABLE INTO ADJUSTER. TO ADJUST MOUNTING HEIGHT, DEPRESS PLUNGER ON ADJUSTER WHILE SUPPORTING LUMINAIRE. REPEAT ON THE OPPOSITE END. ONCE LUMINAIRE IS LEVEL, TRIM EXCESS CABLE AT ADJUSTER END. MAKE ELECTRICAL CONNECTION AT THE JUNCTION BOX. INSERT ALUMINUM WIREWAY TO COMPLETE **BEGINNING OF RUN LUMINAIRE**.



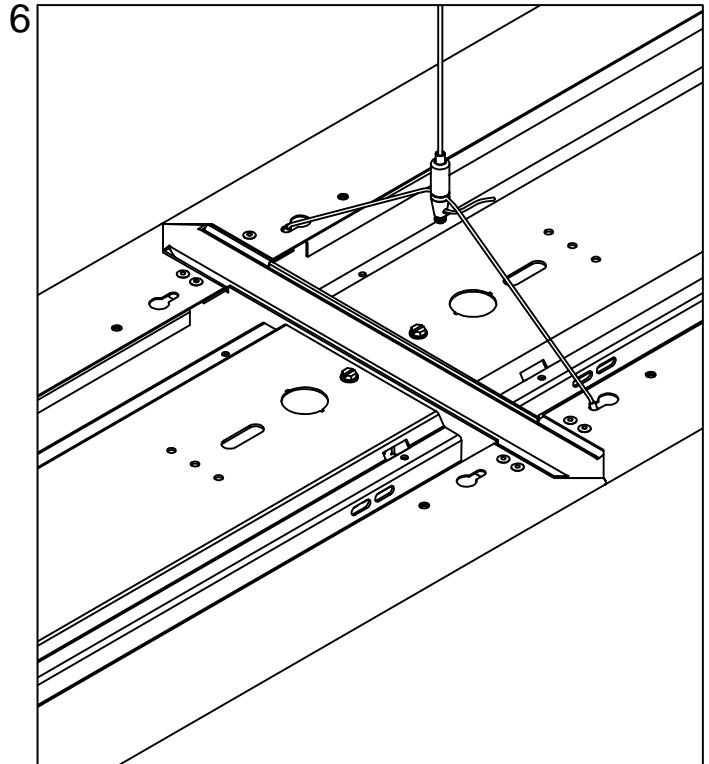
REMOVE BALLAST COVER BEFORE SUSPENDING **INTERMEDIATE LUMINAIRE**. JOIN LUMINAIRES WITH (2) SUPPLIED SHEET METAL SCREWS. CONNECT BRANCH CIRCUIT QUICK CONNECTS AND REPLACE BALLAST COVER. TRIM EXCESS CABLE AT ADJUSTER END AND REPEAT THIS STEP UNTIL ALL THE **INTERMEDIATE LUMINAIRES** ARE INSTALLED.

# ROW MOUNT INSTALLATION (CONTINUED)

## 5 **END OF RUN LUMINAIRE:**

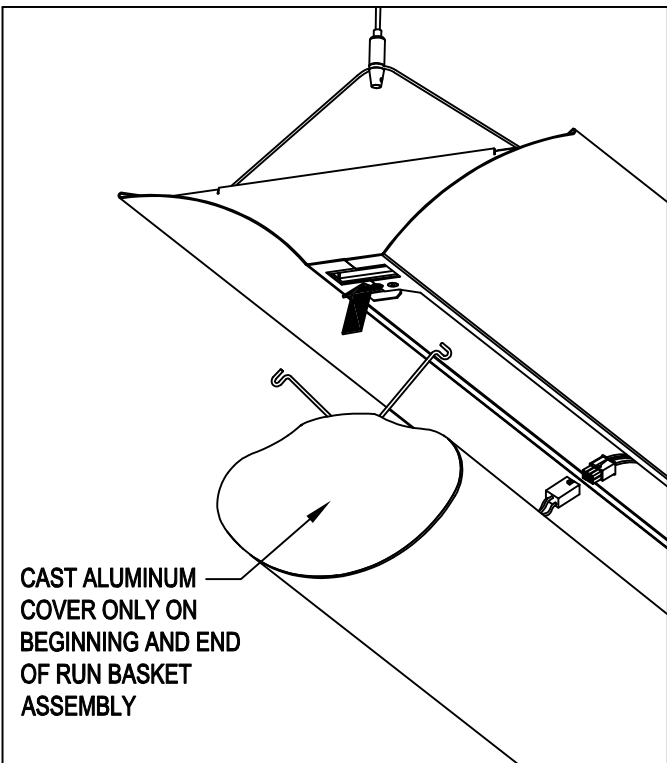


REMOVE BALLAST COVER. SUSPEND ADJUSTER SIDE OF **END OF RUN LUMINAIRE** AND REPEAT STEP 4.

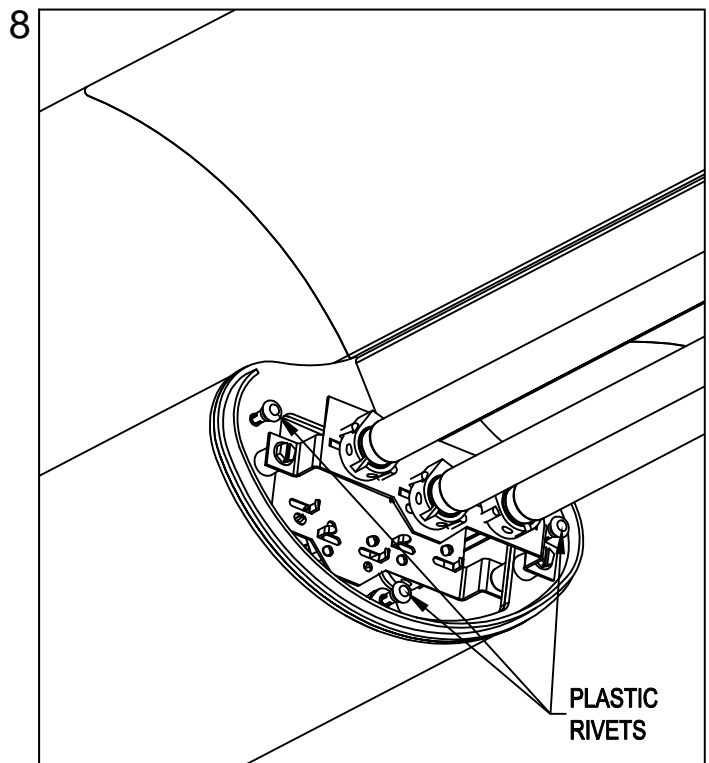


REPLACE BALLAST COVER ON **END OF RUN LUMINAIRE**.

## 7 **CAST ALUMINUM COVER ONLY ON BEGINNING AND END OF RUN BASKET ASSEMBLY**



INSERT TORSION SPRINGS OF BASKET ASSEMBLY INTO RECEIVING HOLES. CONNECT "QUICK DISCONNECT" PLUG. INSTALL LAMPS AND REPLACE PERFORATED SHIELD.



INSERT (3) SUPPLIED PLASTIC RIVETS TO SECURE ALUMINUM END CAPS TOGETHER. INSTALL LAMPS AND REPLACE SHIELD. REPEAT UNTIL INSTALLATION OF THE RUN IS COMPLETED.