

FS2 (SEMI-RECESSED) AND FS3 (RECESSED)

SAFETY AND INSTALLATION INSTRUCTIONS

FIXTURES MUST BE INSTALLED BY A QUALIFIED ELECTRICIAN (CHECK WITH LOCAL AND NATIONAL CODES FOR PROPER INSTALLATION). TO PREVENT ELECTRICAL SHOCK, DISCONNECT ELECTRICAL SUPPLY BEFORE INSTALLATION OR SERVICING.

1. READ ALL INSTRUCTIONS PRIOR TO INSTALLATION.
2. DISCONNECT ELECTRICAL POWER BEFORE SERVICING LUMINAIRE.
3. TO AVOID DAMAGE, KEEP LUMINAIRE IN ORIGINAL CARTON.
4. DO NOT PLACE HEAVY OBJECTS ON CARTONS.

UNIT DESCRIPTION

FS2 (SEMI-RECESSED)

1X4

Dimensions: 7.8" H x 11.8" W x 48.0" L

Weight: 19 lbs

2X2

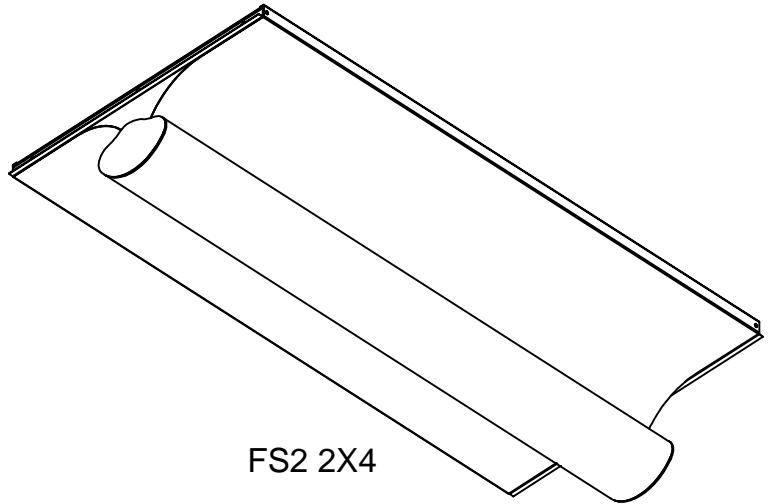
Dimensions: 7.8" H x 23.8" W x 24.0" L

Weight: 17 lbs

2X4

Dimensions: 7.8" H x 23.8" W x 48.0" L

Weight: 28 lbs



FS2 2X4

FS3 (RECESSED)

1X4

Dimensions: 6.3" H x 11.8" W x 48.0" L

Weight: 19 lbs

2X2

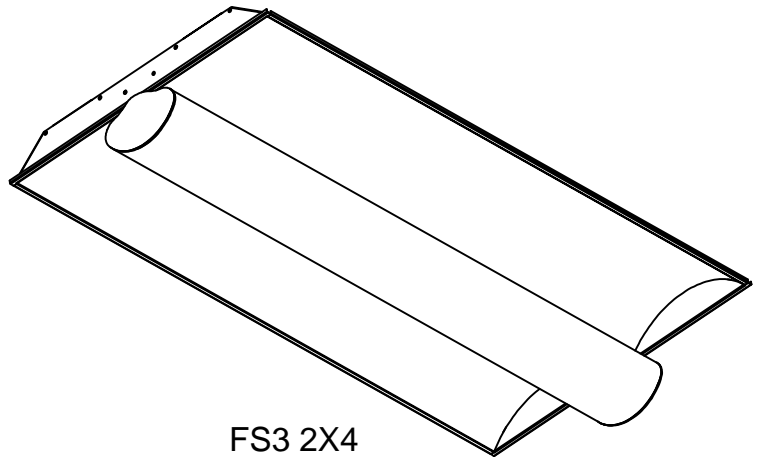
Dimensions: 6.6" H x 23.8" W x 24.0" L

Weight: 17 lbs

2X4

Dimensions: 6.6" H x 23.8" W x 48.0" L

Weight: 28 lbs



FS3 2X4

CONTRACTOR IS RESPONSIBLE FOR ADEQUATELY REINFORCING WALLS AND/OR CEILINGS TO SUPPORT FIXTURE WEIGHT. FOCAL POINT, L.L.C. ACCEPTS NO RESPONSIBILITY FOR INADEQUATELY REINFORCED WALLS AND/OR CEILINGS.

THE INFORMATION CONTAINED IN THIS DRAWING IS THE SOLE PROPERTY OF FOCAL POINT LLC. ANY REPRODUCTION IN PART OR WHOLE WITHOUT THE WRITTEN PERMISSION OF FOCAL POINT LLC IS PROHIBITED.

2003 FOCAL POINT LLC



FOCAL POINT

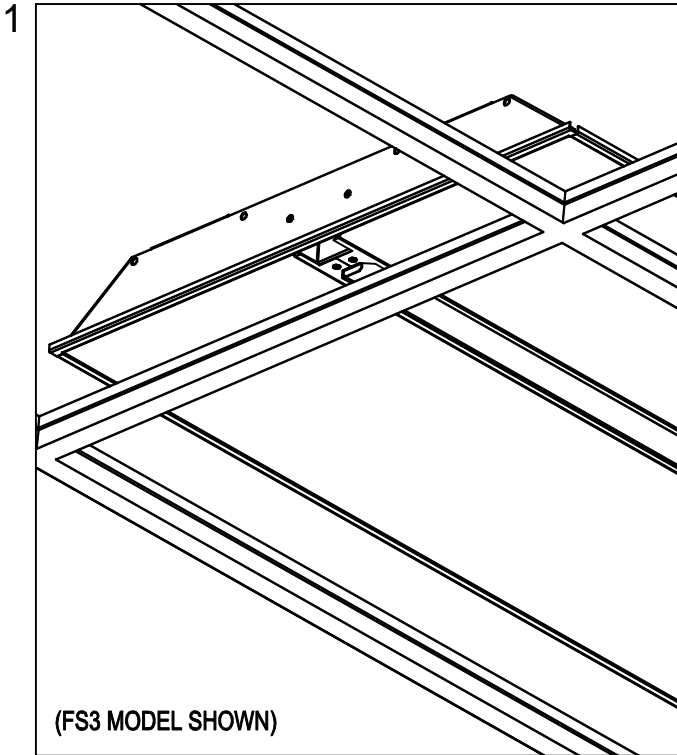
INSTALLATION GUIDE NO.

IS0209

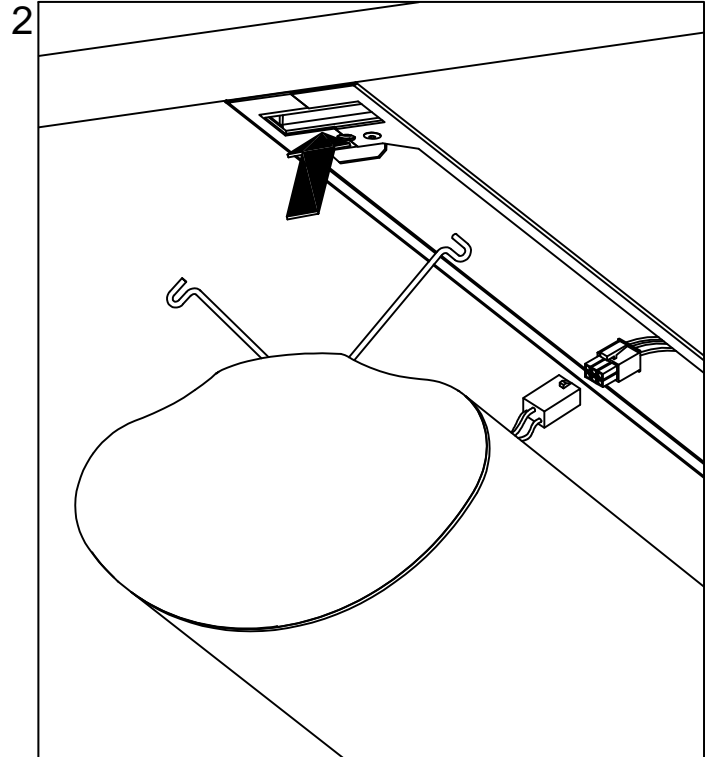
DWG. NO.

REV. A

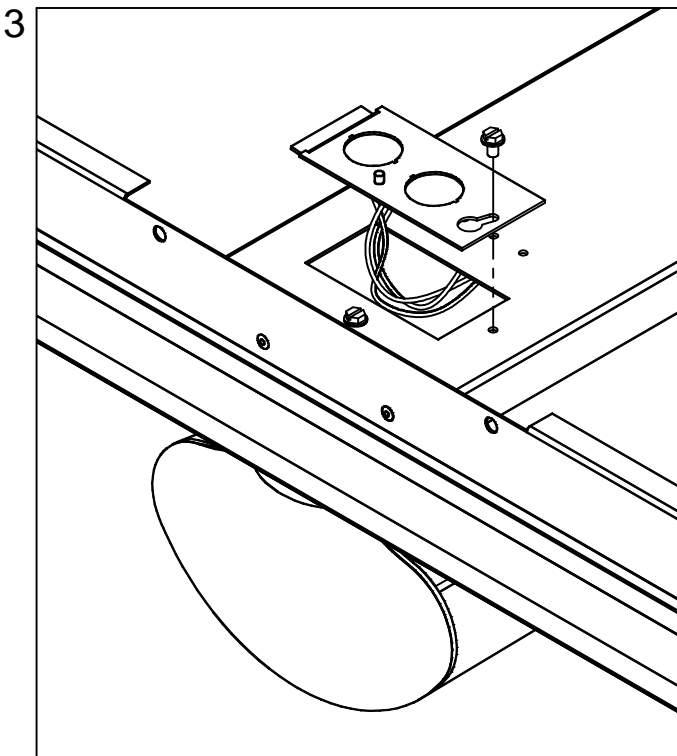
INDIVIDUAL UNIT INSTALLATION



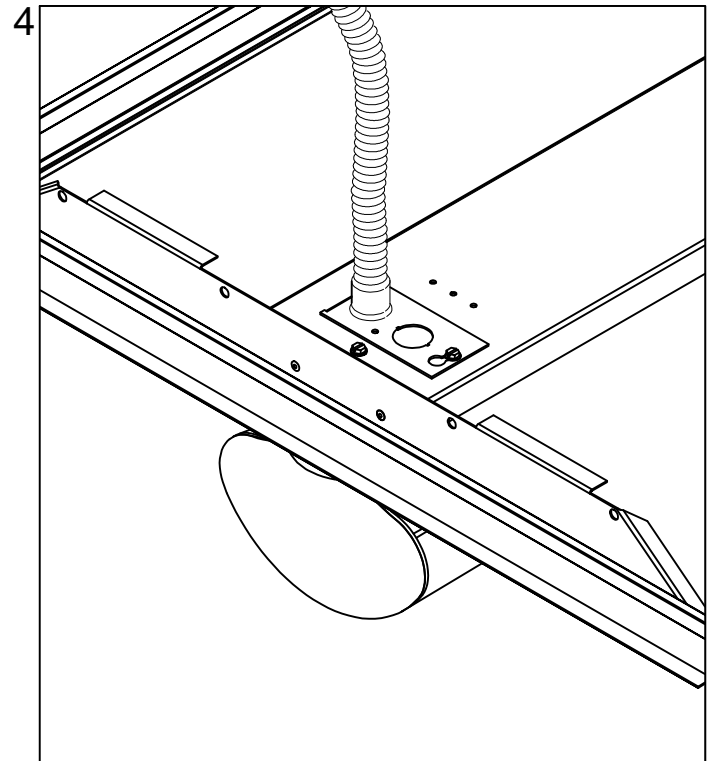
INSTALL LUMINAIRE HOUSING INTO CEILING GRID.



INSERT TORSION SPRINGS INTO RECEIVING HOLES. CONNECT "QUICK DISCONNECT" PLUG AND PUSH BASKET ASSEMBLY UPWARD UNTIL TORSION SPRINGS PULL BASKET ASSEMBLY FIRMLY AGAINST HOUSING.



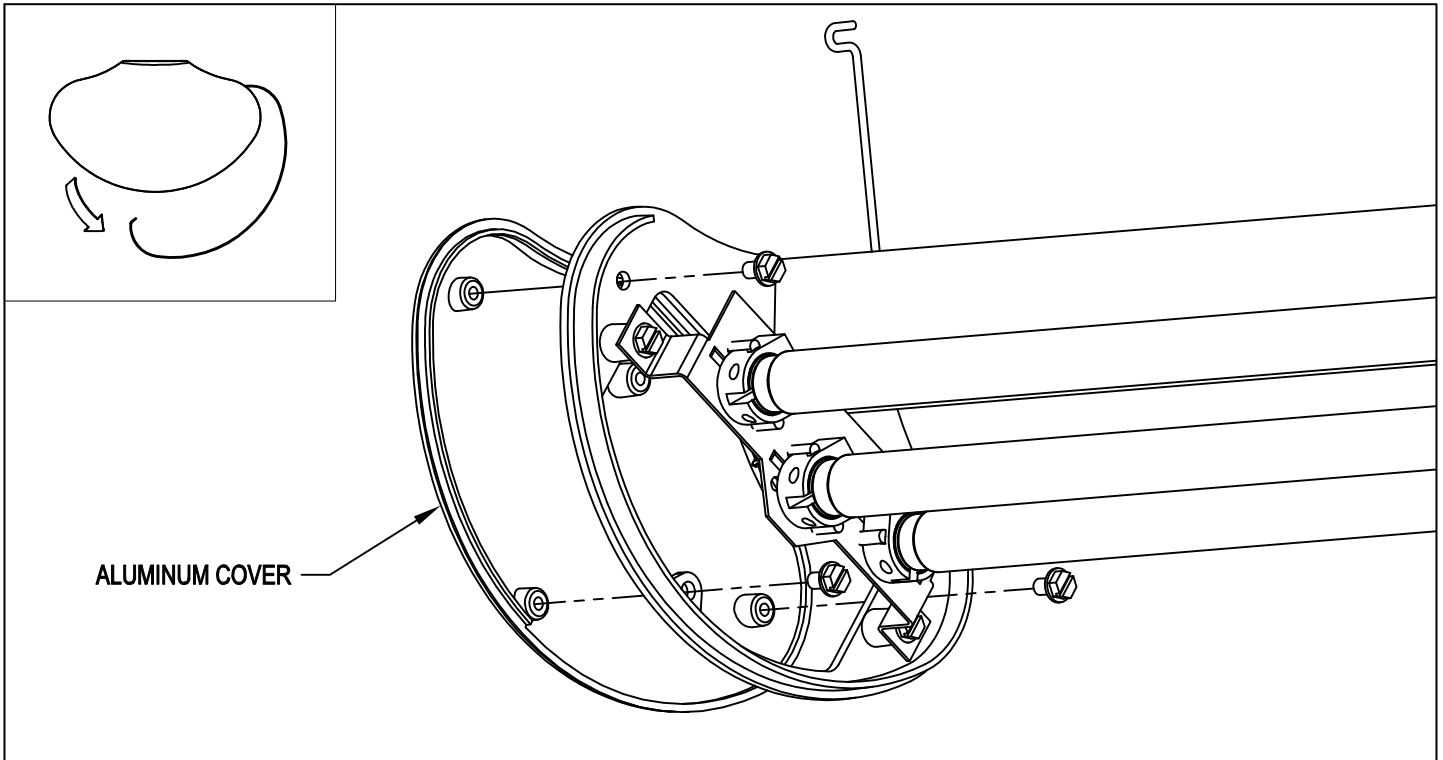
REMOVE ACCESS PLATE TO ACCESS POWER LEADS.



CONNECT CONDUIT (BY OTHERS) THROUGH ACCESS PLATE K.O. AND MAKE ELECTRICAL CONNECTIONS. REPLACE ACCESS PLATE AND INSTALL LAMPS TO COMPLETE INSTALLATION.

ROW MOUNT INSTALLATION

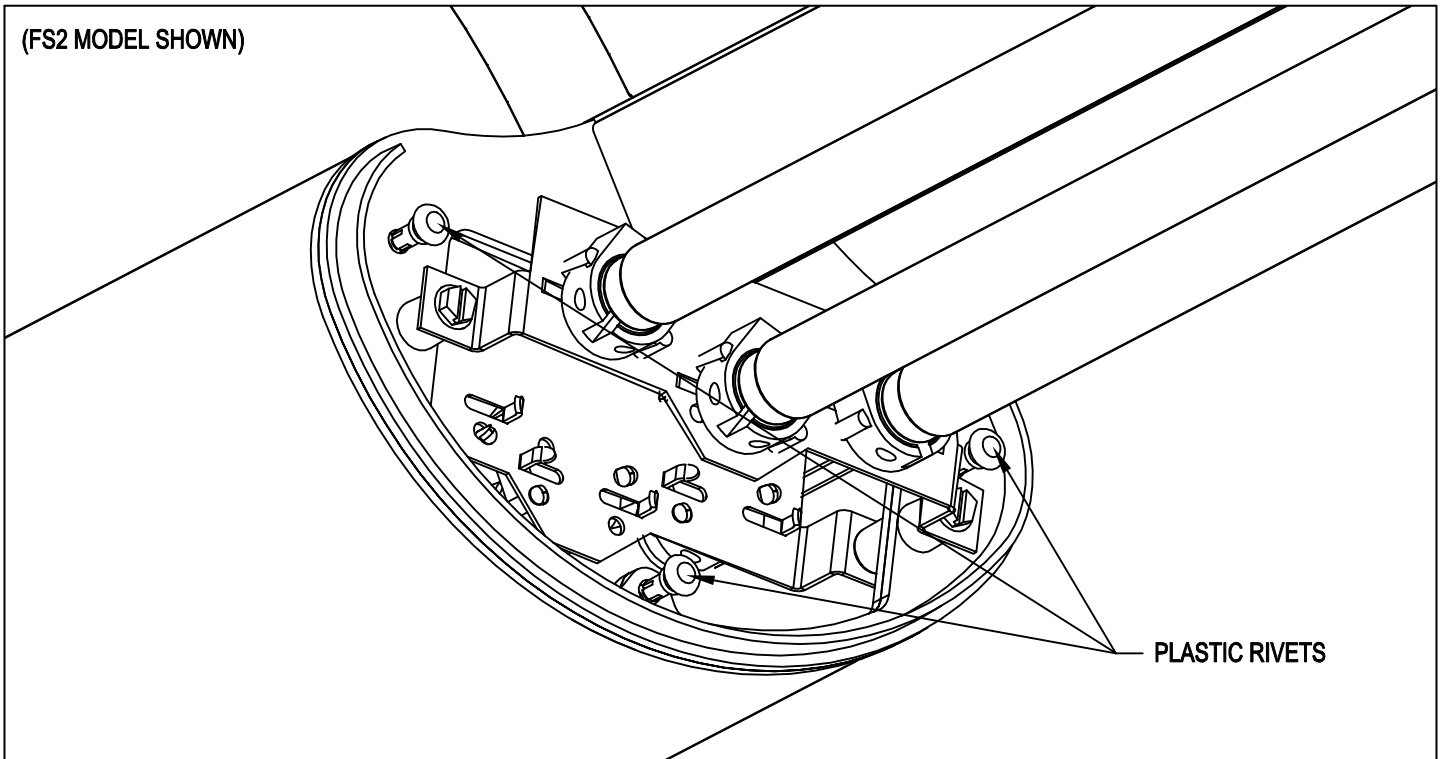
1



FOR **BEGINNING OF RUN AND END OF RUN UNIT**, REMOVE ALUMINUM COVER FROM ONE END OF BASKET ASSEMBLY BY LOOSENING (3) #8 SCREWS.

FOR **INTERMEDIATE UNIT**, REMOVE BOTH COVERS FROM BASKET ASSEMBLY BEFORE INSTALLATION.

2



INSERT (3) SUPPLIED PLASTIC RIVETS TO SECURE ALUMINUM END CAPS TOGETHER. INSTALL LAMPS AND REPLACE SHIELD TO COMPLETE INSTALLATION.