

Use & Care Guide

18" Built-In Dishwasher



 **Electrolux**

Table of Contents

Finding Information	2
Make a Record for Future use	2
Internet	2
Table of Contents	2
Safety	3
Important Safety Instructions	3
Questions?	3
Feature Overview	4
How your Dishwasher Cleans	4
Operating Instructions	5
Getting Started	5
Wash Cycle Selections	5
Dish Preparation	6
Energy Option Selections	6
Preparing & Loading Dishes	7
Loading the Top Rack	7
Loading the Bottom Rack	7
Loading the Silverware Basket	7
Adding a dish	7
Dishwasher Dispenser & Detergents	8
Filling the Detergent Dispenser	8
How much Detergent to use	8
Detergent Usage Guide	8
Factors Affecting Performance	9
Rinse Aid	9
Water Pressure	9
Water Temperature	9
Care & Cleaning	10
Outside	10
Inside	10
Winterizing	10
Cleaning the Filter	11
Cleaning the Spray Arm	11
Connecting & Disconnecting Portable Dishwasher	12
Solutions to Common Problems	13
Dishes Not Clean	13
Dishes Not Drying	13
Spotting	13
Cloudy films and Streaking	13
Etched Film on Glassware	13
Chipped Dishes and Glasses	13
Crazing of Older China and Pottery	13
Coffee and Tea Stains	13
Gray-Black Stains on Dishes	13
Reddish-Brown Stains on Dishes, Glasses	
and Interior	13
Plastic Items	13
Discoloration of Plasticware	13
Fading of Patterns and Metallic Trim	13

Tarnish on Silver Plates	14
Discoloration on Stainless Steel	14
Pitting of Stainless Steel	14
Discoloration of Aluminum	14
Knife Handles Become Loose	14
Troubleshooting	14
Noise Problems	14
Operating Problems	14
Leaking	14
Dishes Not Dry	14
Water in Tub	14
Detergent Left in Cup	14

Warranty Information 15

Please read and save this guide

Thank you for choosing **Electrolux**, the new premium brand in home appliances. This *Use & Care Guide* is part of our commitment to customer satisfaction and product quality throughout the service life of your new appliance.

We view your purchase as the beginning of a relationship. To ensure our ability to continue serving you, please use this page to record important product information.

Keep a record for quick reference

Purchase date

Electrolux model number

Electrolux serial number

NOTE

Registering your product with Electrolux enhances our ability to serve you. You can register online at www.electroluxappliances.com or by dropping your Product Registration Card in the mail.

Important Safety Instructions

Please read all safety instructions before using your new Electrolux dishwasher.

- Read all instructions before using your dishwasher.
- Use your dishwasher only as instructed in this Use and Care Manual.
- This manual does not cover every possible condition and situation that may occur. Use common sense and caution when installing, operating and maintaining any appliance.
- National Sanitation Foundation (NSF) certified residential dishwashers are not intended for licensed food establishments. Such establishments require a higher dishwasher water temperature to meet commercial sanitization requirements.
- **DISHWASHER MUST BE ELECTRICALLY GROUNDED.** Read the Installation Instructions for details.
- This dishwasher is designed to operate on regular house current (120 V, 60 Hz). Use a circuit equipped with a 15 ampere fuse or circuit breaker. Use a 20 ampere fuse or circuit breaker if dishwasher is connected with a food waste disposer.
- Do not operate dishwasher unless all enclosure panels are in their proper place as explained in the Installation Instructions provided with your dishwasher.
- To avoid entrapment and/or suffocation, remove the door to the washing compartment when removing an old dishwasher from service or discarding it.
- Keep young children and infants a safe distance away from the dishwasher when it is in operation.
- Use only detergents and rinse agents recommended for use in a dishwasher.
- Do not abuse, sit on, or stand on the door or dish rack of the dishwasher.
- Store dishwasher detergent and rinse agents out of the reach of children.
- Do not wash plastic items unless marked "dishwasher safe" or the equivalent. Check with manufacturer for recommendations, if not marked. Items that are not dishwasher safe may melt.
- If the dishwasher drains into a food disposal, make sure disposal is completely empty before running dishwasher.



NOTE

Save these important safety instructions for future reference.



WARNING

This symbol will help alert you to such dangers as personal injury, burns, fire, and electrical shock.



WARNING

To reduce the risk of fire, electrical shock, or injury when using your dishwasher, follow basic precautions including the following:

- Disconnect electrical power to dishwasher before servicing.
- Repairs should be done by a qualified Electrolux professional.
- Do not tamper with controls.
- Use care unloading the dishware when the SANITIZE option has been selected. Contents may be hot to the touch immediately after the end of cycle.
- When loading and unloading items:
 - Locate sharp items and knives so that they are not likely to damage the tub or door seal.
 - Load sharp items and knives with the handles up to reduce the risk of cut-type injuries. Alternatively, place sharp items and knives in the utensil shelf located in the upper rack.
- Under certain conditions, hydrogen gas may be produced in a hot water system that has not been used for 2 weeks or more. **HYDROGEN GAS IS EXPLOSIVE.** If hot water system has not been used for such a period, before using dishwasher, turn on all hot water faucets and let water flow from each for several minutes. This will release any accumulated hydrogen gas. **HYDROGEN GAS IS FLAMMABLE.** Do not smoke or use an open flame during this time.
- Do not store or use combustible materials, gasoline or other flammable vapors and liquids in the vicinity of this or any other appliance.

Questions?

For toll-free telephone support in the U.S. and Canada:

1-877-4ELECTROLUX (1-877-435-3287)

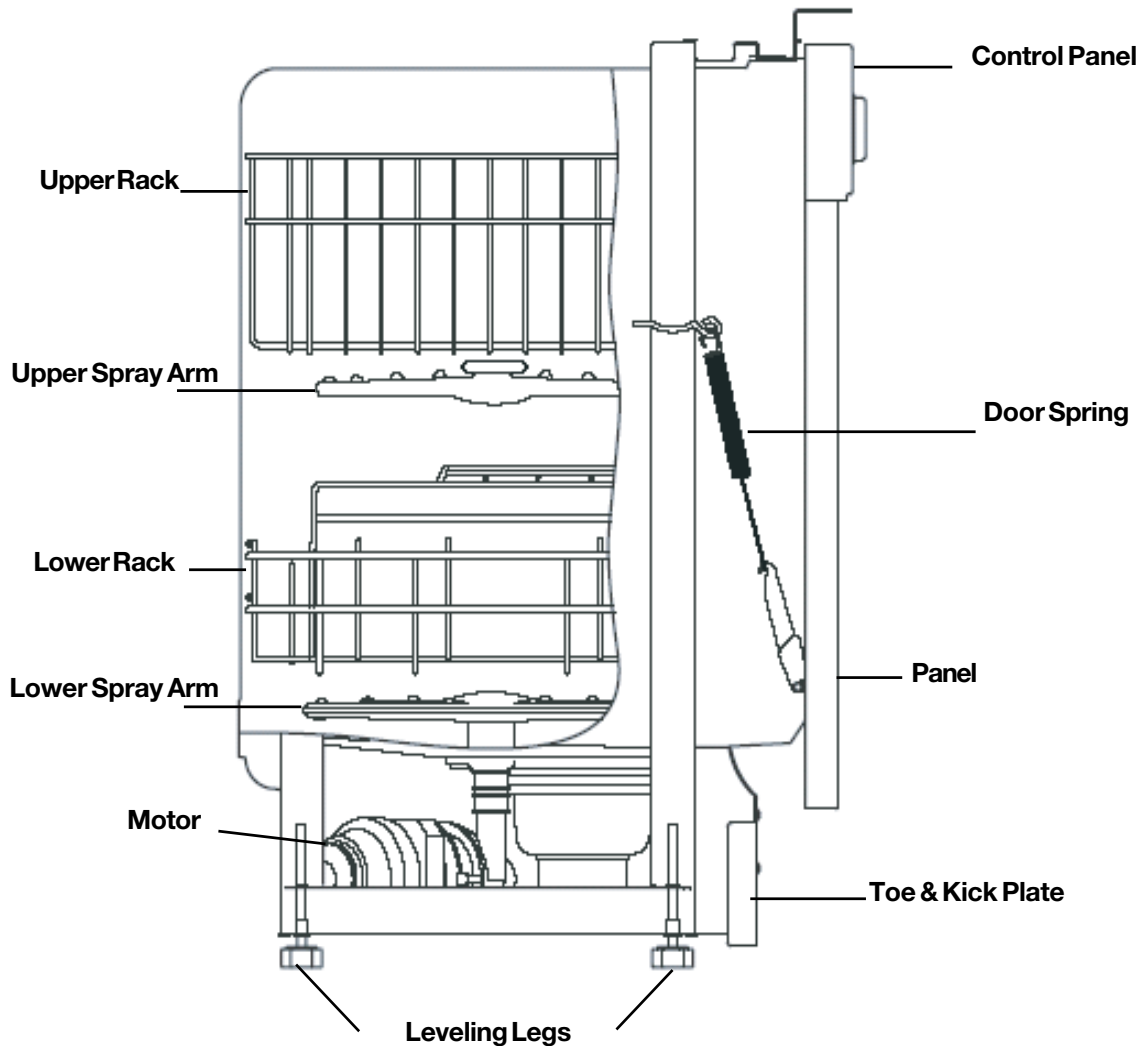
For online support and Internet production information visit <http://>

www.electroluxappliances.com

HOW YOUR DISHWASHER CLEANS

Your dishwasher illustrated below, cleans by spraying a mixture of hot, clean water, and detergent against the soiled surfaces of your dishes and tableware.

Each cycle starts with a pre-drain. Next, the dishwasher fills with water to a level even with the heating element. This water is constantly pumped through the rotating spray arm and sprayed on the dishes. Soiled water is pumped out and replaced with clean water during a cycle. The number of water fills depends upon the cycle being used.



Appearance may vary from your model.



Appearance may vary from your model.

GETTING STARTED

1. Check Filter (See Cleaning Filter)
2. Load dishwasher (See Preparing and Loading Dishes).
3. Add detergent (See Dishwasher Dispenser & Detergents).
4. Add rinse aid, if needed (See Rinse Aid).
5. Select wash cycle (See Cycle Chart).
6. Select desired OPTIONS.
7. See Page 11 for instructions on connecting the portable dishwasher.
8. Run hot water faucet nearest dishwasher until water is hot. Turn water off.
9. To Start, close door to latch.

Cycle Chart				
Cycle	To Select Cycle	Water (approx.)	Time* (approx.)	Washes/Rinses
Heavy Wash For heavily soiled dishes and silverware.	Select HEAVY WASH and select desired OPTIONS.	4.41 gal. 3.7 imp. gal. 16.7 liters	125 min. *	2 washes 5 rinses
Normal Wash For regularly soiled dishes and silverware.	Select NORMAL WASH and select desired OPTIONS.	3.5 gal. 2.9 imp. gal. 13.4 liters	95 min. *	2 washes 4 rinses
Quick Wash For Lightly soiled and pre-rinsed dishes and silverware.	Select QUICK WASH and select desired OPTIONS.	2.7 gal. 2.24 imp. gal. 10.2 liters	65 min. *	2 washes 2 rinses
Eco For Lightly soiled and pre-rinsed dishes and silverware.	Press ECO and select desired OPTIONS.	3.5 gal. 2.9 imp. gal. 12.0 liters	85 min. *	2 washes 3 rinses
Rinse For rinsing dishes that will be washed later.	DO NOT USE detergent. Select RINSE.	1.8 gal. 1.5 imp. gal. 6.8 liters	25 min. *	1 rinses

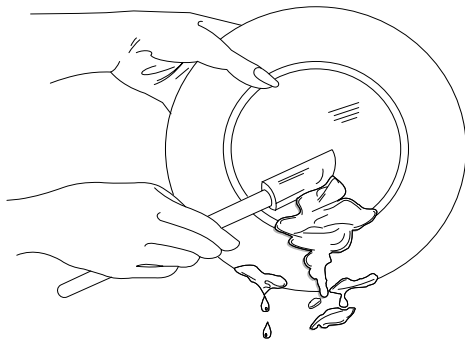
* Includes Dry Time

DISH PREPARATION

It is not necessary to rinse dishes before putting them into the dishwasher. Just remove large pieces and quantities of food, bones, pits, etc. Empty glasses and cups. It may be necessary to presoak or lightly scour firmly cooked-on or baked-on foods.

Food such as mustard, mayonnaise, vinegar, lemon juice and tomato-based products may cause discoloration of stainless steel and plastics if allowed to sit for a long period of time. Unless the dishwasher is to be operated at once, it is best to rinse off these food soils.

- Load dishes facing the center of the rack so that the water spray from the rotating spray arm can reach soiled surfaces.
- Be sure large items do not block the detergent dispenser, preventing it from opening during the wash cycle.
- To be sure an item is dishwasher safe, read the manufacturer's care instructions.
- If the dishwasher drains into a food disposer, **be sure disposer is completely empty before dishwasher is started.**
- To save energy, wash full loads.
- For best washing results, load correctly and avoid overloading.



Energy Options

Hi-Temp Wash Option

When HI-TEMP WASH ON option is selected, the dishwasher heats the water in the main wash to approximately 140°F (60°C).

This increase in water temperature helps dishwasher detergent remove food grease and soil from dishes more effectively and aids in drying. HI-TEMP WASH option can be used with all cycles except CHINA CRYSTAL and RINSE ONLY. HI-TEMP WASH is automatically provided when HEAVY WASH cycle is selected.

To turn off the HI-TEMP WASH option, press the pad a second time.

Air Dry Option

The unit defaults to heated dry when it is started with any cycle selected. This drying uses a combination of the heated dry with rinse aid that achieves enhanced drying performance. If you prefer to only have AIR DRY for dishes, you will select AIR DRY and the unit will not energize the heating element. This will reduce energy consumption, but reduce drying performance.

Delay Start

The DELAY START option allows you to automatically delay starting your dishwasher from 2 - 4 hours.

Make cycle selections, press the DELAY START key until the desired delay LED is lit, then close the door and the delay time will start.

To cancel the delay and start the cycle before the delay period is over, open the door and press the START/CANCEL key. Close the door and the cycle will start.

LOADING THE TOP RACK

Glasses and cups—Place glasses and cups against outside pins at an angle. Cups with a concave bottom will collect water.

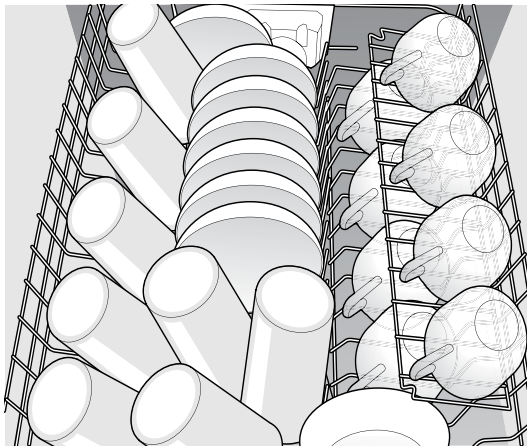
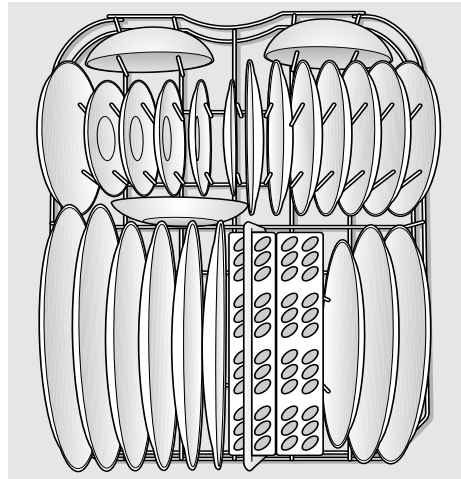
Small plates and saucers—Place dishes between middle two rows of pins.

Plasticware—Load plasticware in the top rack to avoid melting.

Bowls—Place bowls between the middle 2 rows of pins facing down.

Miscellaneous items—Place long handled knives and utensils in top rack.

Cup Shelf—The cup shelf can be folded down over short items (juice glasses, cups, etc.) for more loading space. When using cup shelf, alternate items with layer below so that water can reach all inside surfaces.



LOADING THE BOTTOM RACK

Large plates and platters—Place between the support pins with soiled sides facing inward.

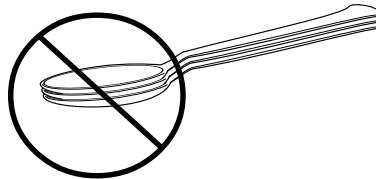
Bowls, casseroles and sauce pans—Load upside down or at an angle facing inward. Slightly tilting items will provide better drainage.

Pots and pans—Place upside down and at an angle. Do not allow handles to protrude through bottom of rack, blocking wash arm rotation. Load large items at the sides and not across the front so they do not block the detergent dispenser preventing it from opening.

LOADING THE SILVERWARE BASKET

Load sharp items with handles up. Be sure items do not protrude through the holes in the basket and stop the rotation of the spray arm.

Load silverware so items are mixed in each section to prevent nesting. Water spray cannot effectively reach nested items.



ADDING A DISH

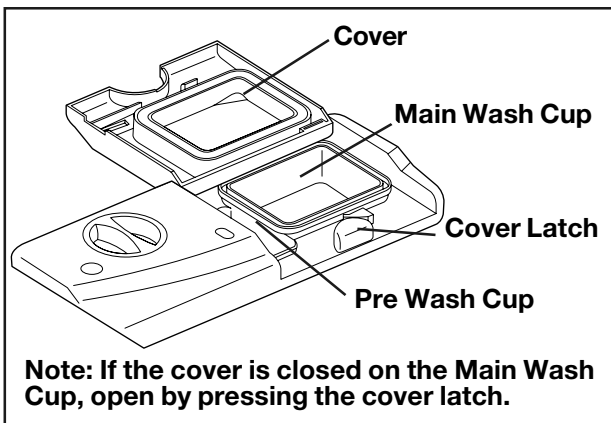
1. Make sure there is a full wash cycle yet to be completed so that any added items are thoroughly washed and rinsed.
2. Unlatch door and wait for water action to stop.
3. Open door and add dish.
4. Firmly close door to latch and resume cycle.

Dishwasher Dispenser & Detergents

FILLING THE DETERGENT DISPENSER

The detergent dispenser has one main wash and one pre-wash cup. The covered cups open automatically to release detergent.

- Use only automatic dishwashing detergent. Other detergents will cause oversudsing.
- When using automatic dishwashing detergent tabs, place one tab in main wash cups and close.
- Add detergent just before starting cycle.
- Store detergent in a cool, dry location. Moist or caked detergent will not dissolve properly.
- Do not fill both washcups, unless you have very hard water, see chart below*.



Note: If the cover is closed on the Main Wash Cup, open by pressing the cover latch.

HOW MUCH DETERGENT TO USE

The amount of detergent to use depends on the water hardness. Water hardness is measured in grains per gallon. Using too little detergent can result in poor cleaning and hard water filming or spotting. Using too much detergent in soft water can cause a permanent film called etching. Your local water company, water softener company or county extension agent can tell you the water hardness in your area.

CAUTION

The use of industrial grade detergent can damage parts of the dishwasher leading to damage to the unit and surrounding property. Use only household grade automatic dishwasher detergents.

NOTE

Try adding more detergent at the beginning of the main wash portion of the cycle. As a rule, use 1 teaspoon for each grain above 12. Unlatch the door, open slowly and add detergent to the bottom of the tub. Close the door to latch and the dishwasher will continue through the cycle.

Detergent Usage Guide

Cycle	Soft Water (0-3 grains)	Medium Hard Water (4-8 grains)	Hard Water (9-12 grains)	Very Hard Water* (over 12 grains)
Heavy Wash or Normal Wash	1.5 teaspoons (each cup— 1/4 full)	4 teaspoons (each cup—fill to line above "Regular")	6 teaspoons (each cup— completely full)	Each Cup— Completely Full
Light Wash or Energy Saver	1.5 teaspoons (Main Wash cup— 1/4 full)	4 teaspoons (Main Wash cup—fill to line above "Regular")	6 teaspoons (Main Wash cup— completely full)	Main Wash Cup— Completely Full
Rinse Only	No Detergent	No Detergent	No Detergent	No Detergent

RINSE AID

Rinse aid greatly improves drying and reduces water spots and filming. Water “sheets” off dishes rather than forming water droplets that cling and leave spots.

The dispenser, located next to the detergent cup, automatically releases a measured amount of rinse aid during the last rinse. If spotting and poor drying are problems, increase the amount of rinse aid dispensed by rotating the dial to a higher number. The dial is located under the dispenser cap. The indicator will be dark when full and will show clear when it is time to refill.

To add liquid rinse aid, turn dispenser cap 1/4 turn counterclockwise and lift out. Pour in rinse aid until liquid touches the indicated fill level. Replace cap.

Do not overfill since this can cause oversudsing. Wipe up any spills with a damp cloth.

The dispenser holds enough for 35 to 140 washes, depending on setting.

Water Pressure

Water pressure should be between 20 and 120 pounds per square inch. Low water pressure occurs most often during periods of high water consumption, such as when laundry or showers are being done. To determine if you have enough water pressure, put a 2 quart container under fully opened hot water faucet nearest the dishwasher. It should fill in less than 14 seconds. Be sure all other faucets are turned off during test.

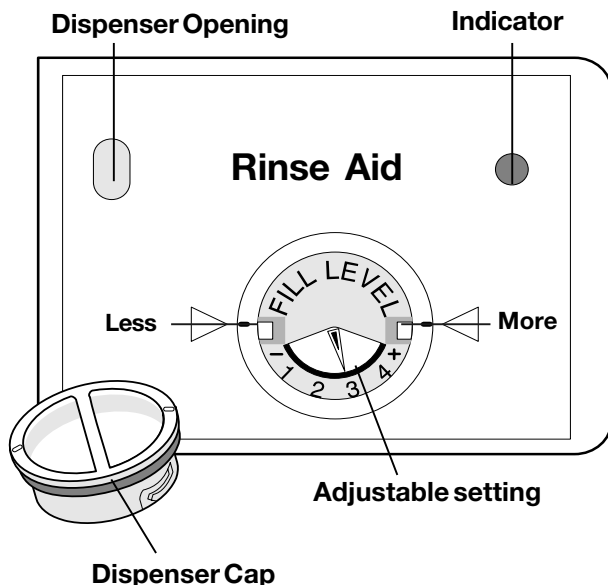
Water Temperature

Hot water is needed for best dishwashing and drying results. Water entering dishwasher should be at least 120°F (49°C) to give satisfactory results.

To check water temperature entering dishwasher:

- Turn on hot water faucet nearest dishwasher for several minutes to clear cool water from pipes.
- Hold a candy or meat thermometer in stream of water to check the temperature.
- If temperature is below 120°F (49°C), have a qualified person raise the hot water heater thermostat setting.

Important: Before starting a cycle, run hot water to clear cool water from pipe.



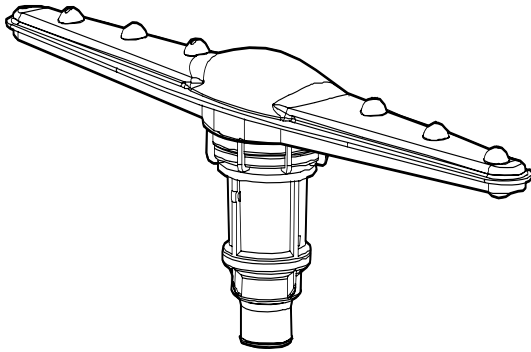
Not selecting the AIR DRY option in combination with rinse aid will enhance drying performance. The energy required to use the AIR DRY option costs pennies per cycle. You may choose to select the AIR DRY option; however you will have items in your dish load that will not be completely dry at the end of the cycle.



CAUTION

Property Damage Hazard

Freezing temperatures may cause water lines to rupture. Be sure all supply lines to and circulating lines within dishwasher are protected. Failure to do so could result in property damage.



Cleaning the Spray Arm

The spray arm may need to be cleaned to insure that there are no clogs to the spray arm jets and bearings due to hard water chemicals.

To remove spray arm simply hold the spray arm in place and turn the retaining nut clockwise and pull up on the spray arm lifting off the shaft.

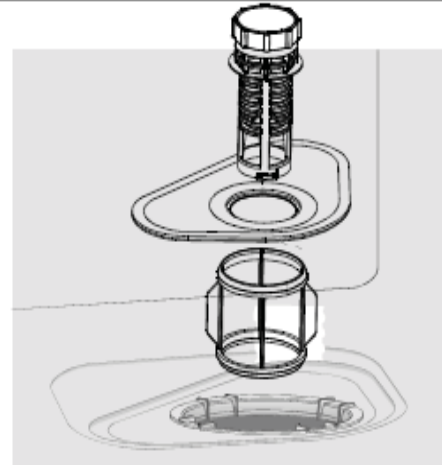
To clean the spray arm use warm soapy water using a soft brush to clean the jets and bearings.

To replace the spray arm simply set the spray arm on the shaft, take the retaining nut and turn it counter clockwise till it has locked into place.

Cleaning the Filter

For optimum performance, your dishwasher is equipped with a filter assembly featuring a main filter, cup and fine filter as shown in the drawing above. All food fragments are removed from the dishwasher as water passes through the filter assembly.

Each part of the assembly should be cleaned often to ensure that all food fragments are removed from the dishes. To remove food fragments from the filter assembly, the filters must be removed from the dishwasher. To remove the filters, pull up on the edge of the main filter. Next, rinse the main filter and fine filter under running water. Cleaning with a brush may also be necessary to remove any fragments trapped in the filters. Once cleaning has been completed, simply reassemble the filter as shown in the drawing above. To ensure that the filter is fully seated, please press down on the top of the main filter. **Using the dishwasher without a properly installed filter is not recommended as it will reduce the cleaning efficiency and may damage dishware.**



WARNING



Burn Hazard

Allow heating element to cool before cleaning the interior.

Failure to do so can result in burns.

Outside—Occasionally wash with a mild nonabrasive detergent and water. Rinse and dry.

Inside—The inside of the dishwasher is self-cleaning with normal use.

To clean stainless steel wipe with the grains.

Use a Dishwasher Safe Detergent to help with the stains or discolorations.

NEVER use products that contain Chlorine Bleach or Citric Acid.

Important: *The dishwasher motor is permanently lubricated at the factory and does not need to be oiled.*

Care of Drain Air Gap

If a drain air gap was installed for your built-in dishwasher, check to make sure it is clean so the dishwasher will drain properly. Drain air gaps are usually mounted on countertop and can be inspected by removing the cover. A drain air gap is not part of your dishwasher and is not covered by this warranty.

WINTERIZING

A dishwasher left in an unheated place should be protected from freezing. Have a qualified person do the following:

To Disconnect Service:

1. Turn off electrical power to the dishwasher at the supply source by removing fuses or tripping circuit breaker.
2. Shut off water supply.
3. Place a pan under the inlet valve. Disconnect water line from inlet valve and drain into pan.
4. Disconnect drain line from pump and drain water into pan.

NOTE

See Installation Instructions for more details on disconnecting and restoring service to your dishwasher.

To Restore Service:

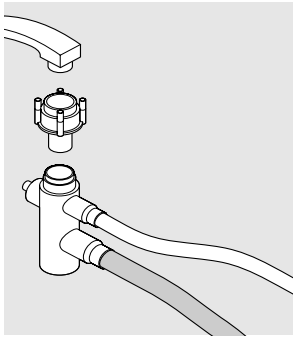
1. Reconnect the water, drain, and electrical power supply.
2. Turn on water and electrical power supply.
3. Fill both detergent cups and run dishwasher through a NORMAL WASH Cycle.
4. Check connections to make sure they do not leak.

NOTE

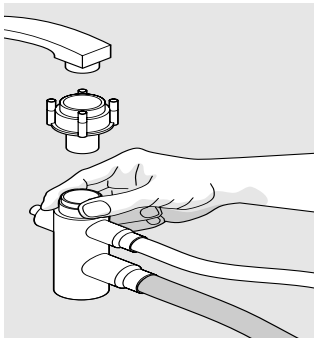
See Installation Instructions for more details on disconnecting and restoring service to your dishwasher.

The portable dishwasher must be connected to a faucet and electrical outlet each time it is used. Follow directions on this page to properly connect dishwasher.

Faucet Adapter Assembly (Figure A)



Connecting the Portable Faucet Adapter Assembly (Figure B)



IMPORTANT: Make sure door is latched before moving dishwasher.

The power cord and faucet coupler with hoses are located in a compartment in back of dishwasher. A special adapter must be installed on faucet before you can connect dishwasher (Figure A).

1. Remove faucet adapter assembly from literature package.
2. Unscrew existing sink faucet aerator.
3. Check faucet spout to see if threads are inside or outside.
 - If threads are on *inside* of faucet spout, use both rubber washers.
 - If threads are on *outside* of faucet spout, use one rubber washer only.
 - If faucet has no threads, an adapter kit with instructions for attachment to a non-threaded spout is available at most hardware stores.
4. Assemble faucet spout as shown in Figure A.

Connecting the Portable Dishwasher


1. Run water at faucet until it is hot. Turn off faucet.
2. Pull hoses out of compartment.
3. Push collar down and slip faucet connector onto faucet adapter (Figure B).
4. When connector snaps into place, release collar.
5. Slowly turn on hot water all the way.
6. Plug power cord into grounded outlet.

Disconnecting the Portable Dishwasher

1. When cycle has finished, unplug power cord and return it to compartment.
2. Turn off hot water.
3. Press red button on coupler to release water pressure.
4. Press down on collar to release coupler.
5. Empty remaining water from coupler and return it to compartment.

IMPORTANT: A sink spray hose can burst due to constant water pressure while in use. If your spray hose is installed on same water line as the dishwasher, it is your responsibility to disconnect sink's spray hose and to plug hole.

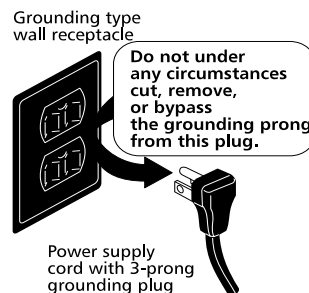
CAUTION



Electric Shock Hazard
Avoid fire hazard or electrical shock. Do not use an adapter plug, extension cord or remove grounding prong from electrical power cord. Failure to follow this warning can cause serious injury, fire or death.

Electrical Connection for a Portable Dishwasher

An electrical supply of 120 volts, 60 Hz, AC only, 15 amps is required. For your safety, the dishwasher must be grounded. If there is a malfunction or breakdown, grounding will reduce risk of electrical shock. This dishwasher has a power cord with a 3-prong grounding plug. It must be plugged into a mating 3-prong grounding type receptacle, installed and grounded in accordance with the National Electrical Code and any local codes and ordinances.



Dishes not clean—Check pages 4 to 8 for information on correct wash cycle, proper loading, water temperature, water pressure, hard water, amount of detergent, old and ineffective detergent, and dish placement. To maximize wash performance clean the filter of all large food particles after each wash. To ensure that you clean the filter correctly refer to page 12.

Dishes not drying can be greatly improved by using a rinse aid and hot water. Hot water raises temperature of dishes to speed up drying. When loading, invert cups and bowls so that water can run off. Avoid nesting of articles. If dishes are not completely dry at end of cycle (which may occur when COOL DRY setting is used), open door, roll out racks, and allow dishes to air dry.

Spotting—Spots form when hard water droplets evaporate leaving a deposit. Low phosphate detergents increase the problem in hard water. To prevent, use hot water and a detergent with a higher level of phosphates (preferably 8.7% or higher), or use more of a low phosphate detergent. Be sure to use a rinse aid. If water is very hard, it may be necessary to install a water softener. Load glasses and plates so they have minimum contact with racks and pins. Avoid overloading. Spotting will occur where dishes and glasses touch.

Cloudy films and streaking are usually caused by a combination of hard water and an insufficient amount of detergent. Low phosphate detergents are also a factor. To correct, increase amount of detergent, check water temperature and always use a rinse aid. If water is very hard, it may be necessary to install a water softener.

Etched film on glassware is caused by using too much detergent in soft or softened water. This film cannot be removed. It is more likely to occur on soft leaded glass or expensive crystal. An early warning of this condition is a cloudy iridescent appearance on glasses. To prevent, be sure dishwasher is getting a full fill of water. Water should reach base of heating element. If water level is low, have water pressure checked by a plumber. Use less detergent and make sure water temperature is not higher than 150°F (66°C). Underload to assure thorough rinsing. Use the COOL DRY Option.

Chipped dishes and glasses can result from rough handling and improper loading. Do not put glasses in direct contact with other items. Place glasses securely against pins.

Crazing of older china and pottery happens when items are subjected to very hot water. Once crazing (fine cracks in the glaze) appears, it cannot be removed. Do not machine wash again or condition may worsen.

Coffee and tea stains can occur when water contains traces of iron. To avoid stains, rinse cups out immediately after use. Increase amount of detergent and use a rinse aid. Water temperature should be approximately 140°F (60°C). If problem persists, install a water softener with an iron removal unit. To remove stains, hand wash cups in solution of 1/2 cup (120 ml) bleach and a quart (1 L) of warm water. Rinse thoroughly.

Gray-black stains on dishes are caused by manganese in water supply. To correct, install a manganese filtering system into house water supply.

Reddish-brown stains on dishes, glasses and interior are caused by iron in water. To avoid iron stain, increase detergent, use water heated to approximately 140°F (60°C) and a rinse aid. It may be necessary to install a water softener with an iron removal unit. To improve appearance, use a commercial rust and lime scale remover.

Plastic items can lose their shape due to high temperatures of automatic dishwashing. Read labels before washing. Place washable items in top rack away from heating element.

Discoloration of plasticware by some foods, such as tomato sauce, can stain plasticware. If stained, soak item in solution of 1 tablespoon dishwasher detergent and a quart of hot water or in a solution of 1/2 cup (120 ml) bleach and a quart (1 L) of hot water.

Fading of patterns and metallic trim is due to many washings, detergent and hot water. Most of today's china is dishwasher safe. Antique, handpainted china, and handpainted pottery should be washed by hand.

Do not place silver next to or touching stainless steel utensils in dishwasher silverware basket. This can cause pitting of stainless steel blades. (Most silver knives have stainless steel blades. Do not let blades touch other stainless steel utensils during wash cycle.)

Tarnish on silver plate occurs when worn down to the base metal and turns a bronze color when exposed to hot water and detergent. Remove bronzing by soaking item in vinegar for 10 minutes or use a silver polish. For permanent protection, have silver replated.

Silver tarnish can be caused by prolonged contact with air or with foods containing sulphur like eggs, mayonnaise, or seafood. Contact with undissolved detergent can also cause tarnish. To prevent this, rinse silver soon after use. Use care not to pour detergent directly onto silver. Remove tarnish with a silver polish.

Discoloration of stainless steel—Food soil can create a film or discoloration. To avoid, rinse stainless items promptly. Food soil films can be removed with a stainless steel cleanser or mild cleanser. Rinse thoroughly.

Pitting of stainless steel is caused by prolonged contact with detergent granules and foods like salt, mayonnaise, fruits, butter or milk. To prevent, rinse soon after use. Do not allow detergent to fall directly onto stainless steel items.

Discoloration of aluminum—Anodized (colored) aluminum cannot withstand machine washing. Resulting loss of color is permanent. Other aluminum may darken when machine washed. To decrease chance of discoloration, do not place aluminum directly beneath detergent dispenser. To brighten darkened items, scour with soap filled steel wool pads. For severely darkened pans, simmer an acidic food or a solution of 2 teaspoons (10 ml) cream of tartar per quart (1 L) of water for 1/2 hour. Scour with soap filled steel wool pad, rinse and dry.

Knife handles become loose when the cement is exposed to very hot water. Test wash a single knife for several weeks. Damaged knives should be professionally re-cemented.

Troubleshooting

Before calling for service, review this list. It may save you both time and expense. This list includes common experiences that are not the result of defective workmanship or material.

Noise problems?

It is normal to hear swishing and pulsating sounds.

These sounds mean that water is circulating through the dishwasher.

It is normal to hear motor sounds before water enters tub.

Loud ticking usually means something is hitting wash arm. See **Preparing and Loading Dishes**.

Vibrating or rattling sounds can mean dishes are touching each other. See **Preparing and Loading Dishes**.

Operating problems?

Be sure door is firmly closed. It is normal for dishwasher to pause between cycles.

Leaking?

Check for items sticking out of dishwasher that could prevent door from closing and sealing properly. Use only fresh dishwashing detergent to avoid oversudsing.

Water coming through door vents? When a dish is added after starting dishwasher, wait a few seconds before latching door. This permits entering cold air to expand slowly inside dishwasher.

Dishes not dry?

Check to see if rinse aid dispenser needs refilling. Hot water temperature may be too low (min. 120°F 49°C). If COOL DRY option is being used, additional drying time may be required with door open.

Water in tub?

A small amount of water in bottom of tub is normal. It keeps water seal lubricated.

Detergent left in cup?

Detergent may be too old. Discard old detergent. Use fresh detergent. Dishes may not be loaded properly. Be sure items do not protrude from front of bottom rack preventing detergent cup from opening.

Your appliance is covered by a one year limited warranty. For one year from your original date of purchase, Electrolux will repair or replace any parts of this appliance that prove to be defective in materials or workmanship when such appliance is installed, used, and maintained in accordance with the provided instructions. The stainless tub and door liner of your appliance are covered by a lifetime limited warranty. During the lifetime of the appliance, Electrolux will provide a replacement stainless tub or door liner that fails to contain water due to a defect in materials or workmanship if the appliance has been installed, used, and maintained in accordance with the provided instructions. In addition, the dishwasher racks and the electronic control module of your appliance are covered by a two through five year limited warranty. During the 2nd through 5th years from your original date of purchase, Electrolux will provide a replacement dishwasher rack or electronic control module for your appliance which has proven to be defective in materials or workmanship when such appliance is installed, used, and maintained in accordance with the provided instructions.

Exclusions

This warranty does not cover the following:

1. Products with original serial numbers that have been removed, altered or cannot be readily determined.
2. Product that has been transferred from its original owner to another party or removed outside the USA or Canada.
3. Rust on the interior or exterior of the unit.
4. Products purchased "as-is" are not covered by this warranty.
5. Food loss due to any refrigerator or freezer failures.
6. Products used in a commercial setting.
7. Service calls which do not involve malfunction or defects in materials or workmanship, or for appliances not in ordinary household use or used other than in accordance with the provided instructions.
8. Service calls to correct the installation of your appliance or to instruct you how to use your appliance.
9. Expenses for making the appliance accessible for servicing, such as removal of trim, cupboards, shelves, etc., which are not a part of the appliance when it is shipped from the factory.
10. Service calls to repair or replace appliance light bulbs, air filters, water filters, other consumables, or knobs, handles, or other cosmetic parts.
11. Labor or in-home service costs during the additional limited warranty periods beyond the first year from your original date of purchase.
12. Pickup and delivery costs; your appliance is designed to be repaired in the home.
13. Surcharges including, but not limited to, any after hour, weekend, or holiday service calls, tolls, ferry trip charges, or mileage expense for service calls to remote areas, including the state of Alaska.
14. Damages to the finish of appliance or home incurred during transportation or installation, including but not limited to floors, cabinets, walls, etc.
15. Damages caused by: services performed by unauthorized service companies; use of parts other than genuine Electrolux parts or parts obtained from persons other than authorized service companies; or external causes such as abuse, misuse, inadequate power supply, accidents, fires, or acts of God.

DISCLAIMER OF IMPLIED WARRANTIES; LIMITATION OF REMEDIES

CUSTOMER'S SOLE AND EXCLUSIVE REMEDY UNDER THIS LIMITED WARRANTY SHALL BE REPAIR OR REPLACEMENT AS PROVIDED HEREIN. **CLAIMS BASED ON IMPLIED WARRANTIES, INCLUDING WARRANTIES OF MERCHANTABILITY OR FITNESS FOR A PARTICULAR PURPOSE, ARE LIMITED TO ONE YEAR OR THE SHORTEST PERIOD ALLOWED BY LAW, BUT NOT LESS THAN ONE YEAR.** ELECTROLUX SHALL NOT BE LIABLE FOR CONSEQUENTIAL OR INCIDENTAL DAMAGES SUCH AS PROPERTY DAMAGE AND INCIDENTAL EXPENSES RESULTING FROM ANY BREACH OF THIS WRITTEN LIMITED WARRANTY OR ANY IMPLIED WARRANTY. SOME STATES AND PROVINCES DO NOT ALLOW THE EXCLUSION OR LIMITATION OF INCIDENTAL OR CONSEQUENTIAL DAMAGES, OR LIMITATIONS ON THE DURATION OF IMPLIED WARRANTIES, SO THESE LIMITATIONS OR EXCLUSIONS MAY NOT APPLY TO YOU. THIS WRITTEN WARRANTY GIVES YOU SPECIFIC LEGAL RIGHTS. YOU MAY ALSO HAVE OTHER RIGHTS THAT VARY FROM STATE TO STATE.

If You Need Service

Keep your receipt, delivery slip, or some other appropriate payment record to establish the warranty period should service be required. If service is performed, it is in your best interest to obtain and keep all receipts. Service under this warranty must be obtained by contacting Electrolux at the addresses or phone numbers below.

This warranty only applies in the USA, Puerto Rico and Canada. In the USA and Puerto Rico, your appliance is warranted by Electrolux Major Appliances North America, a division of Electrolux Home Products, Inc. In Canada, your appliance is warranted by Electrolux Canada Corp. Electrolux authorizes no person to change or add to any obligations under this warranty. Obligations for service and parts under this warranty must be performed by Electrolux or an authorized service company. Product features or specifications as described or illustrated are subject to change without notice.

USA
 1-877-435-3287
 Electrolux Major Appliances North America
 10200 David Taylor Drive
 Charlotte, NC 28262

Canada
 1-800-265-8352
 Electrolux Canada Corp.
 5855 Terry Fox Way
 Mississauga, Ontario, Canada L5V 3E4

 **Electrolux**
