

ID SERIES - TRIM AND LAMP MECHANISM

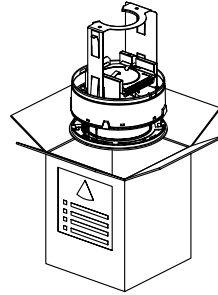
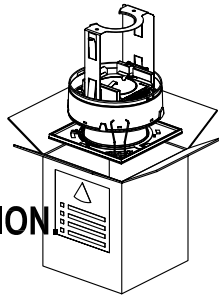
SAFETY AND INSTALLATION INSTRUCTIONS

FIXTURES MUST BE INSTALLED BY A QUALIFIED ELECTRICIAN (CHECK WITH LOCAL AND NATIONAL CODES FOR PROPER INSTALLATION). TO PREVENT ELECTRICAL SHOCK, DISCONNECT ELECTRICAL SUPPLY BEFORE INSTALLATION OR SERVICING.

IDENTIFY MECHANISM:

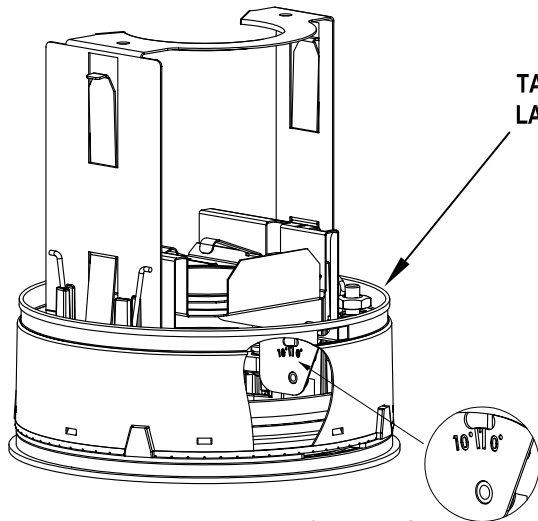
TRIM AND LAMP MECHANISM PROVIDED SEPARATE FROM HOUSING.
TO AVOID DAMAGE, INSTALL AFTER CEILING IS FINISHED.

LAMP MECHANISM SUPPLIED
ACCORDING TO TRIM SPECIFICATION

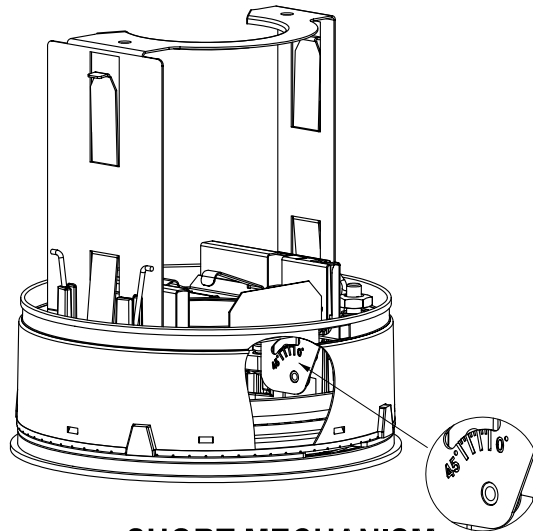


MECHANISM WITH
SQUARE TRIM

MECHANISM WITH
ROUND TRIM



TALL MECHANISM
ADJUST 0 - 10°
PART # 17813



SHORT MECHANISM
ADJUST 0 - 45°
PART # 17812

CONTRACTOR IS RESPONSIBLE FOR ADEQUATELY REINFORCING WALLS AND/OR CEILINGS TO SUPPORT FIXTURE WEIGHT. FOCAL POINT, L.L.C. ACCEPTS NO RESPONSIBILITY FOR INADEQUATELY REINFORCED WALLS AND/OR CEILINGS.

THE INFORMATION CONTAINED IN THIS DRAWING IS THE SOLE PROPERTY OF FOCAL POINT LLC. ANY REPRODUCTION IN PART OR WHOLE WITHOUT THE WRITTEN PERMISSION OF FOCAL POINT LLC IS PROHIBITED. 2007 © FOCAL POINT LLC



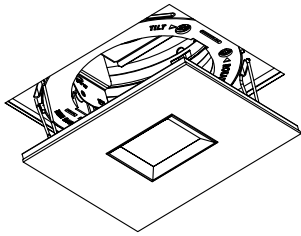
INSTALLATION GUIDE NO.

IS0238

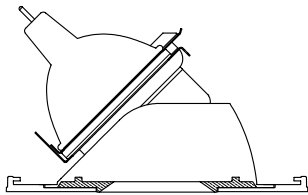
DWG. NO.

REV. B

SQUARE TRIM

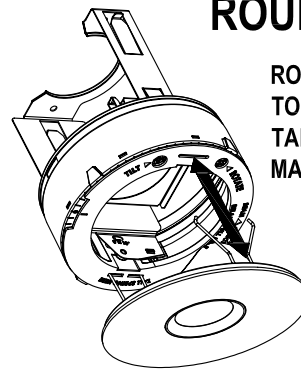


SQUARE TRIM MOUNTS TO DIE-CAST ADAPTER PLATE IN 90° INCREMENTS. INSERT TORSION SPRINGS INTO ADAPTER PLATE SLOTS.



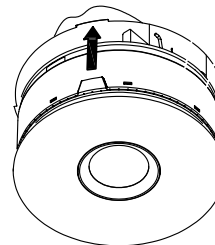
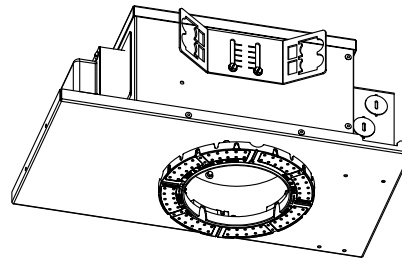
IMPORTANT:
SQUARE TRIM WITH ANGLED REFLECTOR MUST BE INSTALLED IN PROPER ORIENTATION SO LAMP IS TILTED TO LOW SIDE OF REFLECTOR.

ROUND TRIM



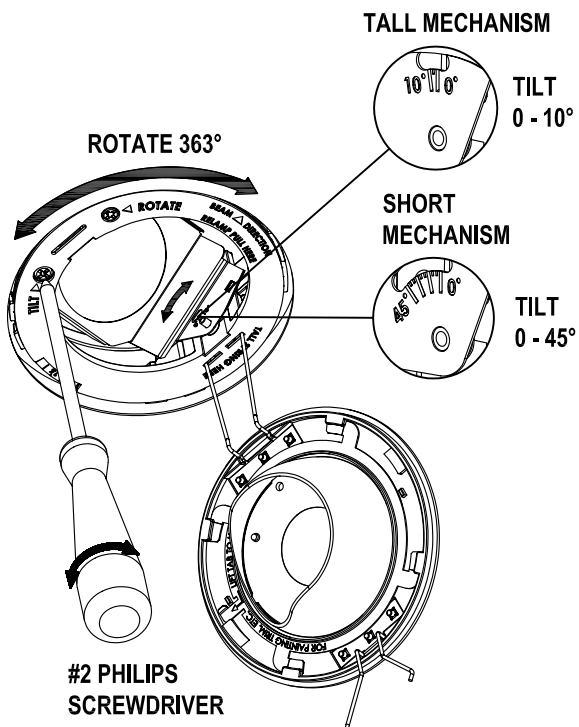
ROUND TRIM SHIPS PRE-INSTALLED TO LAMP MECHANISM ASSEMBLY. TALL SPRING IS INSTALLED ON SIDE MARKED "TALL SPRING HERE".

INSTALLING LAMP MECHANISM



INSERT LAMP MECHANISM ASSEMBLY SO TABS ALIGN WITH NOTCHES ON HOUSING ADAPTER PLATE. INTERIOR SPRINGS ENGAGE WITH SLOTS AND LOCK IN PLACE.

LAMP ADJUSTMENT AND AIMING



GENERAL INFORMATION

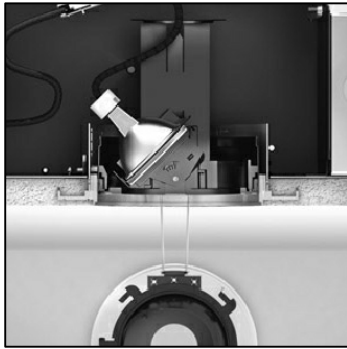
ROTATION

LAMP MECHANISM ROTATES 363° CLOCKWISE OR COUNTER CLOCKWISE.
NOTE: OVER CENTER STOP WILL HALT ROTATION ONCE IT REACHES 363°.

TILT

SHORT MECHANISM TILTS UP TO 45° WHILE TALL MECHANISM TILTS UP TO 10°.

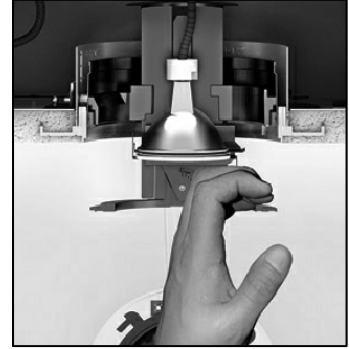
LAMP INSTALLATION



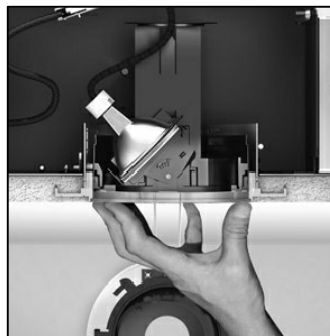
PULL TRIM DOWN SO SHORT SPRINGS DISENGAGE AND TALL SPRINGS ARE FULLY LOWERED ALLOWING TRIM TO HANG FREELY.



TO ACCESS LAMP, PULL LAMP MECHANISM STRAIGHT DOWN TO EXPOSE LAMP TRAY.



PULL LAMP OUTWARD AND DISCONNECT LAMP SOCKET. NOTE: SOCKET AND SOCKET WIRE MUST PASS THROUGH CENTER HOLE.



PUSH MECHANISM INTO HOUSING AND REINSTALL TRIM.

LENS TRAY



SPRING LOADED LENS TRAY MAY HOLD UP TO (3) $\frac{1}{8}$ " THICK LENSES AND ACCESSORIES. INSERT LENS FROM FRONT SIDE AS SHOWN.

IMPORTANT:
TRIM MUST BE LOOSENED WHEN MECHANISM IS REINSTALLED.

FOR METAL HALIDE LAMPS ONLY

