



Freezer column
RF 411/RF 461/RF 471

- Fully integrated appliances. Doors open to a 115-degree angle, so that the large drawers can be pulled out completely.
- Stainless steel, aluminum and glass interior to keep the freezer naturally hygienic, just like in a professional kitchen.
- Integrated automatic ice maker in the freezer drawer, with water connection.

Niche height 84".
Net volume 8.5/12.2/15.9 cu.ft.

Technical features

Electronic precision temperature control with digital temperature display.
Automatic defrosting with defrost water evaporation.
Open-door and malfunction warning system.

Freezer compartment

No-frost technology with fast freezing.
Temperature adjustable from 7° to -9°F.
Four solid metal shelves, three of which are manually adjustable.
A large, fully extendable drawer with transparent front.
A regular, fully extendable drawer with transparent front.
Interior lighting with two spots.
Four solid aluminum door bins, three of which are height-adjustable, one has a front flap.

Ice dispenser
Integrated ice maker in the freezer compartment, with ice bin.
Ice making capacity approx. 3.3 lbs./24 hrs.
Supply at normal operation approx. 8.8 lbs.
Ice maker can be switched off separately.

Planning notes

Flat hinge.
Door hinges on the left, reversible if necessary.
Plan the power outlet and water connection behind the appliance per installation instruction. (Requires custom toe kick)

Rating

Total rating: 3.67/4.44/5.04 kW.
Water connection.
Connecting cable length 78".
Supply hose length 118".
Total Amps: 15
120V / 60Hz
Energy consumption 0.84/0.96/1.16 kWh/24 hrs.

RA 461 110

Ventilation grill
Stainless steel for RF 411,
right-hinged

RA 461 111

Ventilation grill
Stainless steel for RF 411,
left-hinged

RA 461 610

Ventilation grill
Stainless steel for RF 461,
right-hinged

RA 461 611

Ventilation grill
Stainless steel for RF 461,
left-hinged

RA 461 710

Ventilation grill
Stainless steel for RF 471,
right-hinged

RA 461 711

Ventilation grill
Stainless steel for RF 471,
left-hinged

RF 411 700

Fully integrated with integrated ice maker
Width 18"

RF 461 700

Fully integrated with integrated ice maker
Width 24"

RF 471 700

Fully integrated with integrated ice maker
Width 30"

Included accessory

1 ice scoop

Installation accessories

RA 460 000

Installation kit for side-by-side installation (for connecting any two columns)

RA 460 010

Heating kit if columns are not attached and less than 6" apart

RA 460 020

Connecting element for vertically split appliance fronts (for a flush front)

RA 460 040

Finger protection for extra long furniture fronts

Optional accessories

RA 035 030

Aluminum bottle cooler

RA 421 110

Stainless steel door panel with handles for RF 411
Panel thickness 3/4".

RA 421 130

Aluminum door panel with handles for RF 411
Panel thickness 3/4".

RA 421 610

Stainless steel door panel with handles for RF 461
Panel thickness 3/4".

RA 421 630

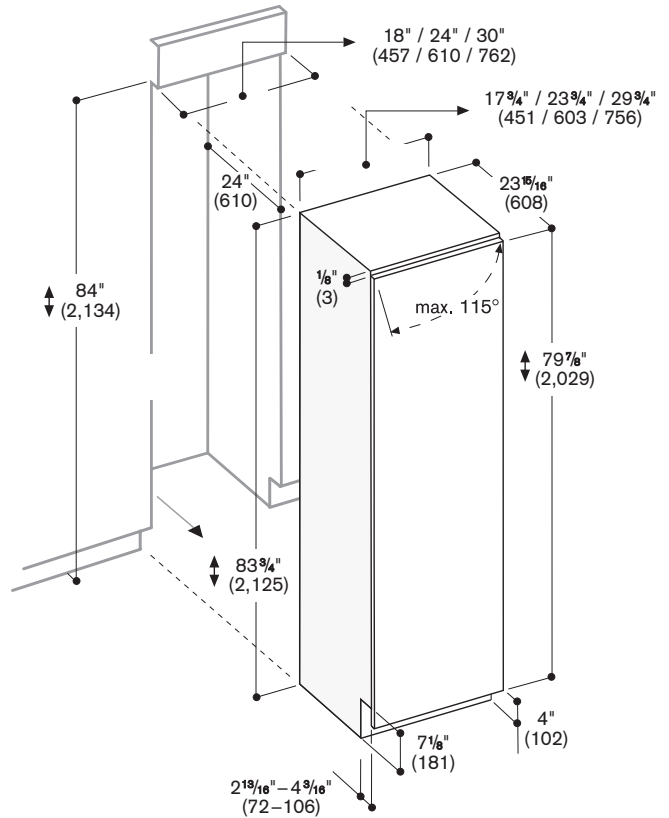
Aluminum door panel with handles for RF 461
Panel thickness 3/4".

RA 421 710

Stainless steel door panel with handles for RF 471
Panel thickness 3/4".

RA 421 730

Aluminum door panel with handles for RF 471
Panel thickness 3/4".



Numbers indicated inside parenthesis () = mm

