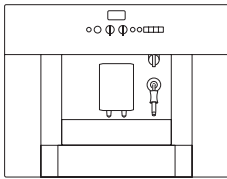


Built-in Fully Automatic

Coffee machine

Width 24" (76 cm)



CM 200-610

stainless steel

CM 200-630

aluminum

Included accessories:

- 2 cleaning tabs
- measuring spoon
- water filter for water tank

CM 200-610/630

- The fully automatic coffee machine hides behind stainless steel or aluminum in a cabinet. A shining star in the kitchen.

- Aroma whirl brewing technique and single-portion cleaning. Indulgence is guaranteed with a golden brown head of coffee cr ma in each cup.

- Immediate brewing after using foam function. Convenient preparation of latte macchiato without inconvenient wait time caused by foaming milk.

Aroma whirl brewing technique.
Single portion cleaning.

215 psi thermo block-pump pressure system.

Steam and hot water function.

Immediate coffee brewing after foaming.

High-end conical grinding gear of hardened steel.

6 individual grinding level settings.

Adjustable brewing chamber: 6 levels of coffee strength (grind quantity) - 0.3 - 0.5 oz. (7 to 14g) smooth to super strong.

Serves 1 or 2 cups with selection of 12 water volumes.

Height adjustable coffee dispenser.

Display (8 languages).

Electronic fill level control for coffee beans and fresh water.

Fill level control for drip and coffee ground container.

3 different coffee temperature settings.

Programmable turn-on time and standby-function.

Removable water tank for 1.6 quarts (1.8 liter).

Fresh coffee bean container for up to 14 ounces (400 g).

Separate container for second ground coffee flavor or decaf.

Fully automatic rinse program at turn-on and turn-off.

Automatic cleaning/ descaling.

Indicator light.

Planning notes:

Ideal installation height 37 3/8" or higher.

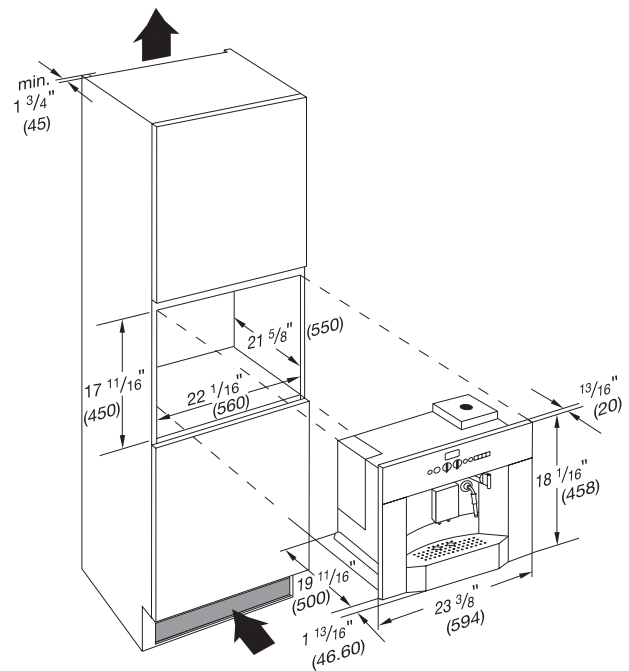
Cable (118") with grounding plug.

Rating:

Total rating: 1.3 kW

Total Amps: 11

120V / 60Hz



Numbers indicated inside parenthesis () = mm

