



VG 411 210 CA
 Stainless steel
 Width 15" (38 cm)
 Natural gas

Optional accessories
 VD 400 000
 Stainless steel cover
 VV 400 000
 Connecting strip for combination with other Vario cooktops
 SV 401 090
 Shaft extension for up to 5 1/2" (see adjacent drawing).
 SV 401 205
 Shaft extension for up to 11 13/16" (see adjacent drawing).
 WP 400 001
 Wok pan made of multiple-layer material
 with round bottom and handle,
 ø 13 3/4", 287 cb. in.,
 height 3 3/4".

400 series Vario gas wok
VG 411

- Special appliance for restaurant-grade capabilities in the home kitchen. Individually combined for a consistent stainless steel look. Made to combine with the 400 pro series.
- Wok burner with 17,000 BTU output. For the typical Asian-style quick braising and for large pots and pans.
- Convenient operation with automatic quick ignition. Simply move the switch to the required position and release it like on an electric cooktop.

Equipped for natural gas. Jets supplied for conversion to LP gas.
 (LP kit part# 427778)

Cooking zones

One super-high output burner with three rings (300–5,000 W) 1,000 - 17,000 BTU, suitable for pots up to a maximum ø 12 5/8".
 Two brass burner rings.

Features

Brushed stainless steel cooktop.
 Cast-iron pan support.
 One control knob with ring and output markings.

Safety

Quick ignition.
 Electronic flame monitoring (ionization principle) with automatic reignition.

Planning notes

Order the cover separately. The pan support must be removed when closing the cover.
 Control knob to be integrated in the base cabinet at drawer level.
 Air intake from above. No intermediate shelf needed.
 The Vario gas wok is equipped with a connecting cable and a grounded plug (4.59 ft. long).
 The appliance must be set up and connected in accordance with the applicable installation specifications.
 The rear panel must consist of a non-flammable material. Wall trims must be resistant to heat.

The minimum distance from the side of appliance edge to the wall or furnishing components must be at least 12".

The minimum distance from the rear of the appliance must be at least 1 3/8".

Clamping range: 1 13/16" - 2" cooktop fixings.

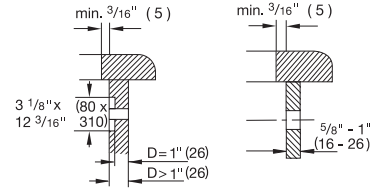
The appliance is not operable without electrical connection.
 Operation next to a cooktop extractor VL 431/430 is not permitted.

Rating

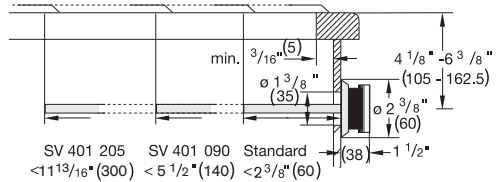
Total rating: 5.0 kW (17,000 BTU)
 Total Amps: 1
 120V / 60Hz

Panel thickness 5/8" - 1".
 The sketch below must be observed if the panel is more than 1" thick. There must be a recess at the rear for proper control module installation.

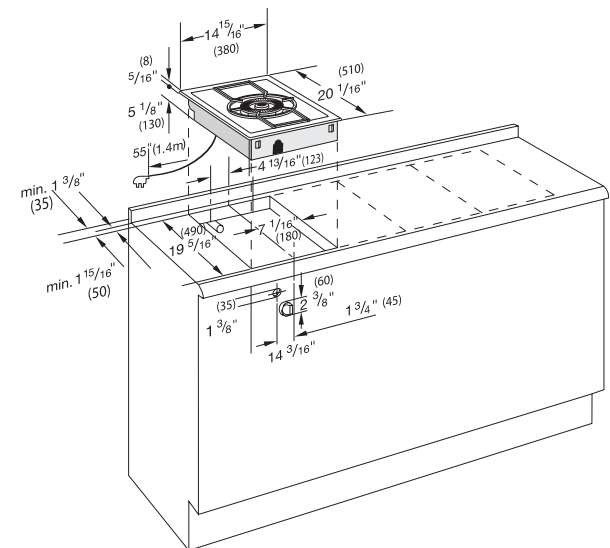
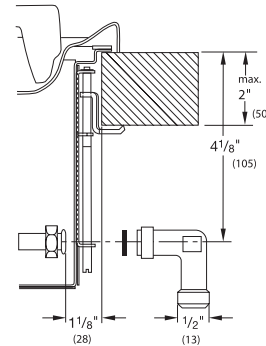
Installation of the control knob



Possible shaft extension prolongation



Gas connection



Numbers indicated inside parenthesis () = mm