



**400 series Vario induction cooktop
VI 411**

VI 411 611
Stainless steel frame
Width 15" (38 cm)

Optional accessories
VD 400 000
Stainless steel cover
SH 400 000
Hinge holder necessary for mounting the appliance cover
VV 400 000
Connecting strip for combination with other Vario cooktops (not when using downdraft ventilation).

VZ 400 700
Connecting strip with timer – offers automatic cooking timer function for two appliances
Can also be used as an independent timer.

WP 400 001
Wok pan made of multiple-layer material
with round bottom and handle, \varnothing 14 3/16", height 3 15/16".

WZ 400 001
Wok ring attachment for wok pan (only for VI 411).

- Special appliance for restaurant-grade capabilities in the home kitchen. Individually combined for a consistent stainless steel look.
- Even more cooking precision than with gas. For the typical Asian quick braising in the middle of the wok pan.
- Wok ring attachment optional. For the original round-bottomed wok.

Cooking zones
One 7 1/16" induction cooking zone (1,800 W, with booster, 2,500 W), which automatically expands to \varnothing 11" (3,600 W without booster option).

Features
Electronic control in 12 output levels. Booster function for the inner cooking zone (7 1/16"). Pan detection (it also automatically switches on the outer cooking zone).
Cooking zone marking.

Safety
Control knob with illuminated ring.
Residual heat indication.
Safety lock.

Planning notes
Installation from above.
Knob can be fitted in the center.
Please read the installation details regarding air ducting on page 80.
The minimum distance from the appliance edge to the wall or furnishing components must be at least 3/16".

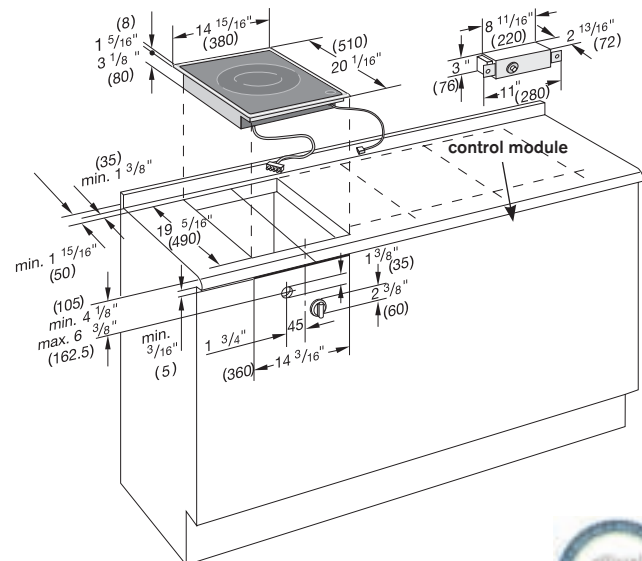
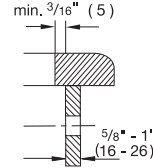
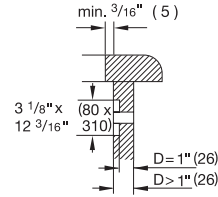
Clamping range:
1 3/16" - 2".

The output level is 'audible' depending on the pot material and quantity cooked.
Not suitable for use with 208 V.
Hard wire required.

Rating
Total rating: 3.6 kW
Total Amps: 16
220-240V / 60Hz

Front panel thickness 5/8" - 1".
The sketch below must be observed if the panel is more than 1" thick (there must be a recess at the rear for proper control module installation).

Installation of the control knob



Numbers indicated inside parenthesis () = mm

