



400 series gas cooktop
KG 491

All-gas appliance for natural or propane gas.

- Sturdy stainless steel, solid smooth-surface cast-iron pan support and large professional front control knobs. Restaurant grade capabilities in the home kitchen.
- 58,000 BTU on five burners including wok burner. Professional cooking for large numbers of guests.
- Convenient operation with automatic quick ignition. Simply move the knob to the required position and release like on an electric cooktop.

Brushed stainless steel gas cooktop.
 Front control knobs with ring and output markings.

Cooking zones

Five brass gas burners:
 Two two-ring super-high output burners 500 - 13,600 BTU (150 - 4,000 W), suitable for pots up to max. ø 11".
 Two two-ring standard burners 500 - 6,800 BTU (150 - 2,000 W), suitable for pots up to max. ø 9 1/2".
 One three-ring super-high output burner 1,000 - 17,000 BTU (300 - 5,000 W), suitable for pots up to max. ø 12 5/8".
 Ideal burner configuration, electronics and a broad output spectrum.

Features

Three-part cast-iron pan support with a flat, continuous surface.
 Gas valve with fine control.

Safety

Automatic quick ignition.
 Electronic flame recognition (ionization principle) with automatic re-ignition.

Planning notes

Panel thickness 5/8" - 1". The sketch below must be observed if the panel is more than 1" thick (there must be a recess at the rear).

Control knobs can be integrated in the bottom cabinet at drawer level.

Installation in a 36" bottom cabinet.
 Air admission from above.

No intermediate shelf required.
 The gas cooktop is equipped with a 55" connecting cable and a grounded plug.

The appliance must be set up and connected in accordance with the applicable installation specifications.

A ventilation hood must be switched on during operation of the gas cooktop. The rear panel must consist of a non-flammable material. Wall trims must be heat-resistant. A minimum clearance of 12" from adjacent heat-sensitive wooden side panels

must be observed or thermal insulation must be installed.
 Distance between hood and gas cooktop should be between 30" and 36".

Cooktop clamping range: 1 3/16" - 2".

The appliance is not operable without electrical connection.

Rating

Total rating: 58,000 BTU
 Total Amps: 1
 120V / 60Hz

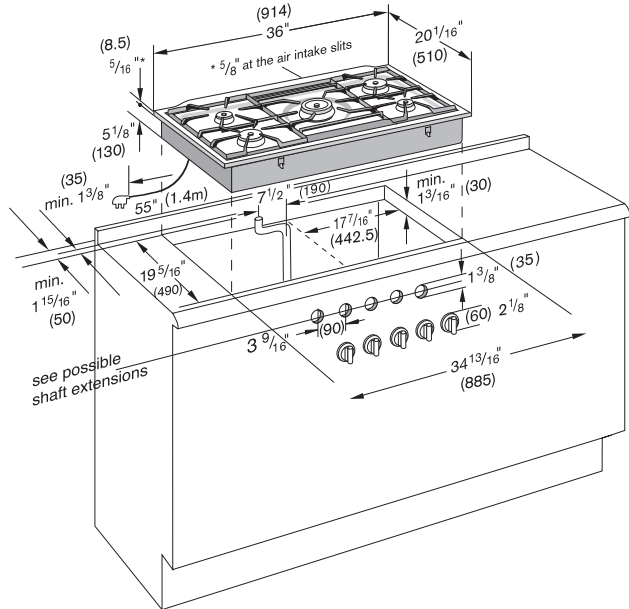
- KG 491 110 CA
 Stainless steel
 Propane gas
 Width 36" (90 cm)
- KG 491 210 CA
 Stainless steel
 Natural gas
 Width 36" (90 cm)

- Optional accessories
- VV 400 000
 Connecting strip for combination with other Vario appliances (not when using the cooktop ventilator).
- SV 405 001
 Shaft extension up to 3 1/8", set of 5 (see drawing 1 on next page).

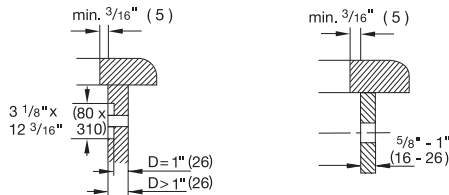
- SV 405 002
 Shaft extension up to 6 5/16", set of 5 (see drawing 1 on next page).
- SV 405 003
 Shaft extension up to 12 5/8", set of 5 (see drawing 1 on next page).

- SV 405 011
 Shaft extension up to 2 9/16", set of 5 (see drawing 2 on next page).
- SV 405 012
 Shaft extension up to 5 1/2", set of 5 (see drawing 2 on next page).

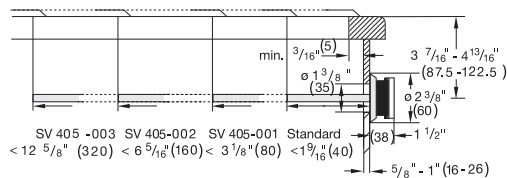
- WP 400 001
 wok pan made of multiple-layered material,
 With round bottom and handle. ø 14 3/16", 5.3 quarts.
 height 3 15/16".



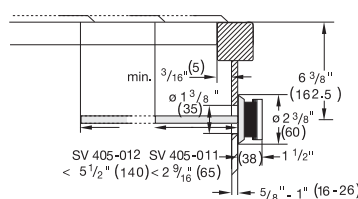
Installation of the control knob



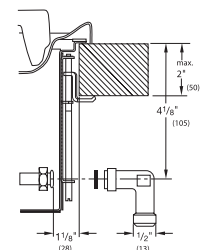
Drawing 1 - possible shaft extension



Drawing 2 - possible shaft extension



Gas connection



Numbers indicated inside parenthesis () = mm