

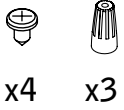
aerion™

FAR 1x4 | 2x2 | 2x4

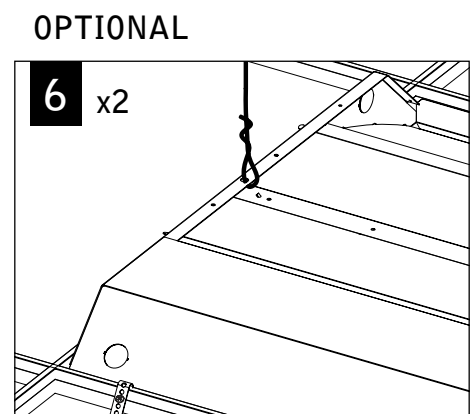
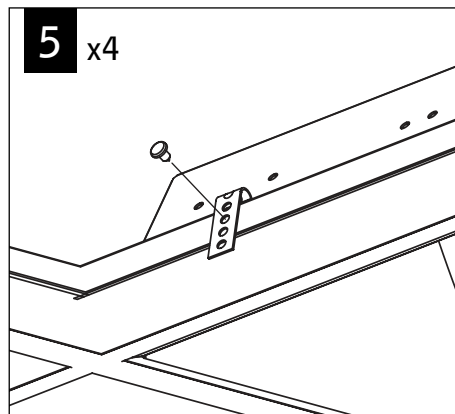
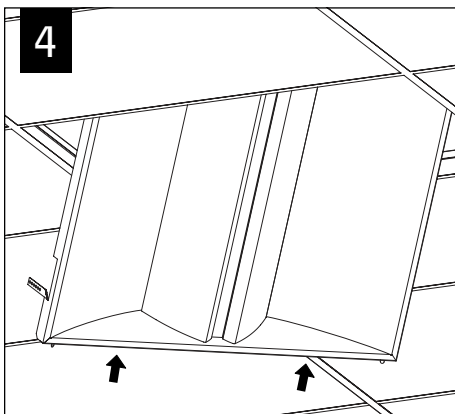
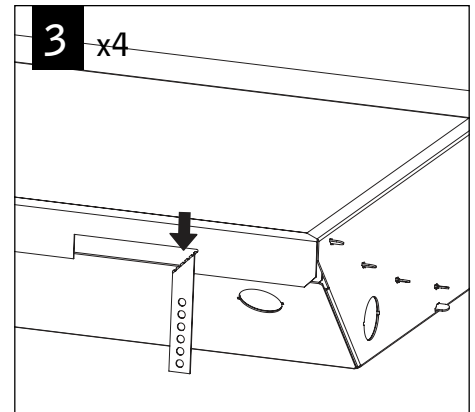
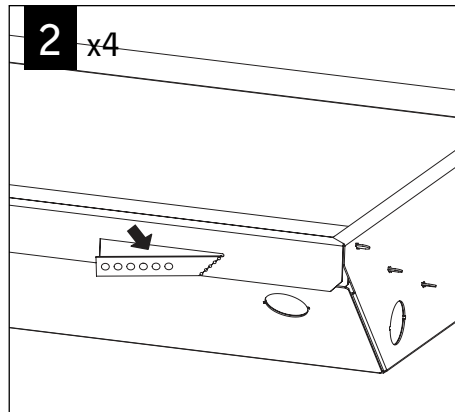
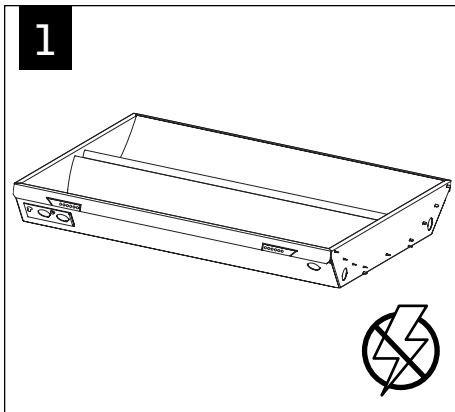
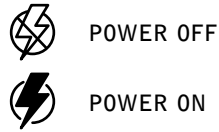


FOCAL POINT®

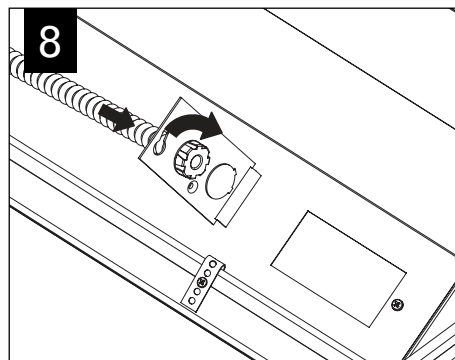
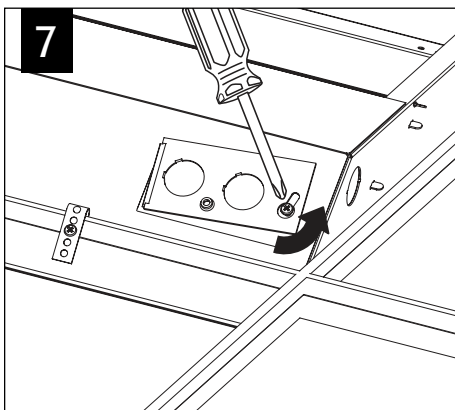
OTHERS



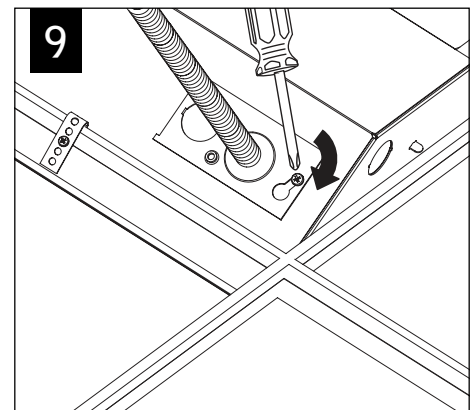
KEY



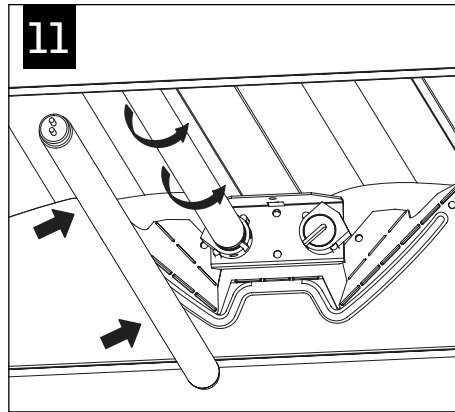
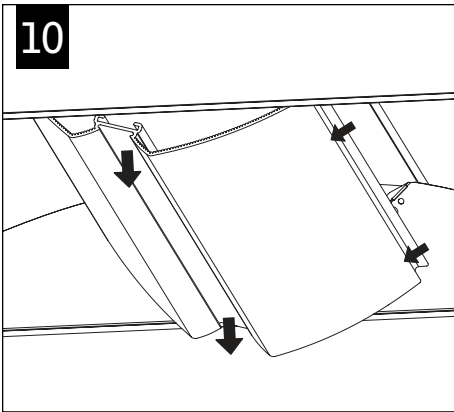
OPTIONAL



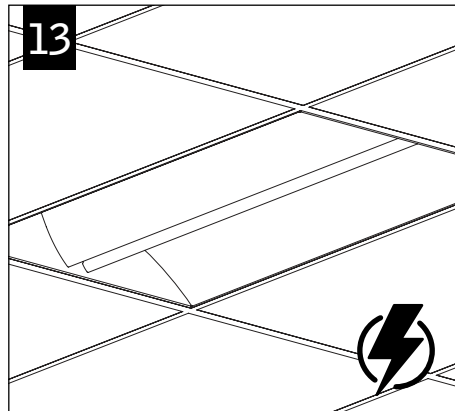
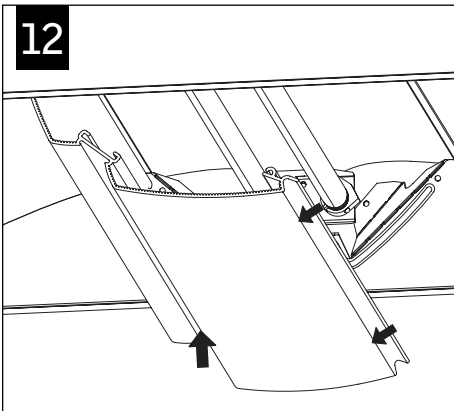
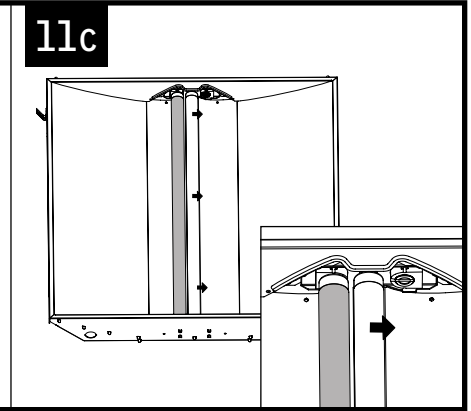
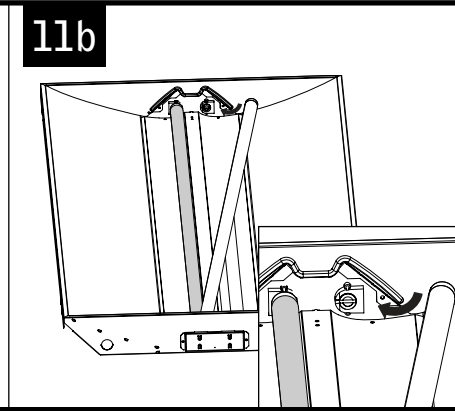
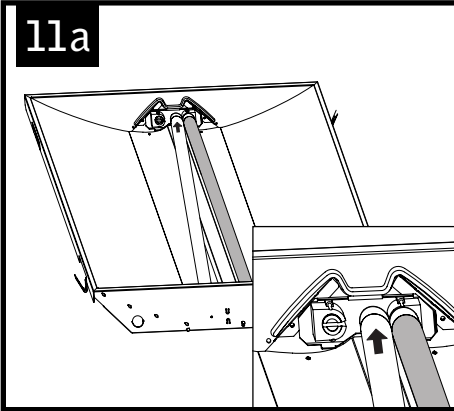
MAKE ELECTRICAL CONNECTIONS



Luminaires must be installed by a qualified electrician (check with local and national codes for proper installation).
To prevent electrical shock, disconnect electrical supply before installation or servicing.



2 T8 LAMPING



Contractor is responsible for adequately reinforcing walls and/or ceilings to support fixture weight. Focal Point, LLC accepts no responsibility for inadequately reinforced walls and/or ceilings. The information contained in this drawing is the sole property of Focal Point, LLC. Any reproduction in part or whole without the written permission of Focal Point, LLC is prohibited.