



200 series double oven
BX 280/281

- Two 30" ovens vertically stacked.
- 17 heating modes per oven compartment. Prepare several dishes simultaneously in one appliance.
- Pyrolytic self-cleaning system for easy oven cleaning.

Universal heating system with 17 heating modes.
 Electronic precision temperature control from 85°F – 550°F.

Net volume per cooking compartment 4.5 cu.ft.

Right-hinged

BX 280 610

Stainless steel-backed full glass door
 Width 30" (76 cm)

BX 280 630

Aluminum-backed full glass door
 Width 30" (76 cm)

Left-hinged

BX 281 610

Stainless steel-backed full glass door
 Width 30" (76 cm)

BX 281 630

Aluminum-backed full glass door
 Width 30" (76 cm)

Included accessories

For the upper oven:

- 1 wire rack
- 1 baking tray
- 1 broil tray with wire rack

For the lower oven:

- 1 meat probe
- 1 rotisserie spit
- 1 wire rack
- 1 baking tray
- 1 broil tray with wire rack

Optional accessories

BA 028 101

Broil pan, enameled

With feet and rotisserie spit attachment, 9/16" deep.

BA 028 111

Baking tray, enameled

7/16" deep.

BA 038 101

Wire rack, chromium-plated

Angled, no opening.

BA 058 111

Heating element

Necessary accessory for baking stone BA 058 131.

BA 058 131

Baking stone

With support and pizza peel (heating element must be ordered separately).

BS 020 002

Pizza peel, additional set of 2

Features

LCD function display with digital clock.

Timer functions: cooking time, switch off time, short-term timer, stop watch, sabbath mode.

Rotary knob and touch key operation.

Meat probe with automatic shut off (lower oven).

Rotisserie spit (lower oven).

Actual temperature display.

Super-Quick preheating.

Baking stone outlet.

Menu settings.

75 W halogen light on the top.

10 W halogen light on the side.

Enamel wire racks on the side with 5 rack levels, pyrolytic safe.

Side-opening door opens up to 180° angle.

Safety

Thermally insulated door with quadruple glazing.

Child lock.

Safety lock.

Cooled housing with temperature protection.

Cleaning

Pyrolytic self-cleaning.

Gaggenau Clean-Enamel.

Heated air cleaning catalyst.

Planning notes

Door hinge not reversible.

The front of the appliance extends 1 7/8" from the cabinet front. The outer edge of the door handle extends 3 11/16" from the cabinet front.

When planning a corner solution, pay attention to the 90° door opening angle. Consider the overhang, incl. the door handle, when planning to open drawers next to the appliance.

Plan a gap of at least 3/16" between the appliance and adjacent cabinets. To achieve the 21 5/8" installation depth, the connecting cable needs to follow the slanted edge on the lower right hand corner of the housing. The plug needs to be planned outside the cut-out niche.

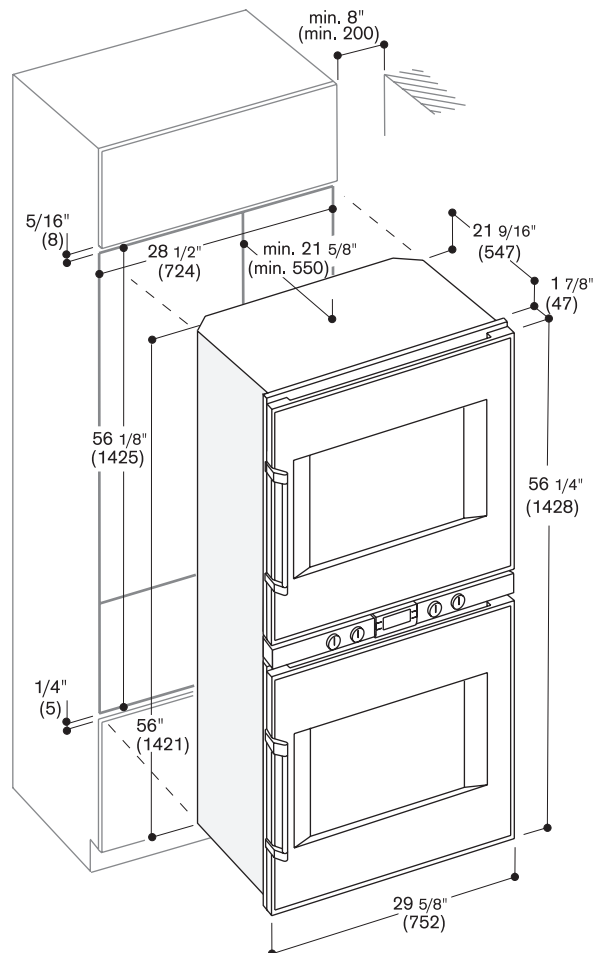
Rating

Total rating: 9.2 kW.

Total Amps: 40

208/220–240V / 60Hz

Plan for a connecting cable.



Numbers indicated inside parenthesis () = mm