



Right-hinged

BO 280 610

Stainless steel-backed full glass door
Width 30" (76 cm)

BO 280 630

Aluminum-backed full glass door
Width 30" (76 cm)

Left-hinged

BO 281 610

Stainless steel-backed full glass door
Width 30" (76 cm)

BO 281 630

Aluminum-backed full glass door
Width 30" (76 cm)

Included accessories

- 1 meat probe
- 1 rotisserie spit
- 1 wire rack
- 1 baking tray
- 1 broil tray with wire rack

Optional accessories

BA 028 101

Broil pan, enameled

With feet and rotisserie spit attachment, 9/16" deep.

BA 028 111

Baking tray, enameled
7/16" deep.

BA 038 101

Wire rack, chromium-plated
Angled, no opening.

BA 058 111

Heating element

Necessary accessory for baking stone BA 058 131.

BA 058 131

Baking stone

With support and pizza peel (heating element must be ordered separately).

BS 020 002

Pizza peel, additional set of 2

200 series single oven

BO 280/281

- An extra-wide 30" oven, 4.5 cu.ft. of usable volume, and 5 rack levels. Space for the especially large roast or two chickens.
- 17 heating modes, with meat probe, rotisserie spit and baking stone option.
- Pyrolytic self-cleaning system for easy oven cleaning.

Universal heating system with 17 heating modes.

Electronic precision temperature control from 85°F – 550°F.

Net volume 4.5 cu.ft.

Features

- LCD function display with digital clock.
- Timer functions: cooking time, switch off time, short-term timer, stop watch, sabbath mode.
- Rotary knob and touch key operation.
- Save up to 6 memory recipes (incl. meat probe).
- Rotisserie spit.
- Meat probe with automatic shut off.
- Actual temperature display.
- Super-Quick preheating.
- Baking stone outlet.
- Menu settings with clear text display.
- 75 W halogen light on the top.
- 2 x 10 W halogen light on the side.
- Enamel wire racks on the side with 5 rack levels, pyrolytic safe.
- Side-opening door opens up to 180° angle.

Safety

- Thermally insulated door with quadruple glazing.
- Child lock.
- Safety lock.
- Cooled housing with temperature protection.

Cleaning

- Pyrolytic self-cleaning.
- Gaggenau Clean-Enamel.
- Heated air cleaning catalyst.

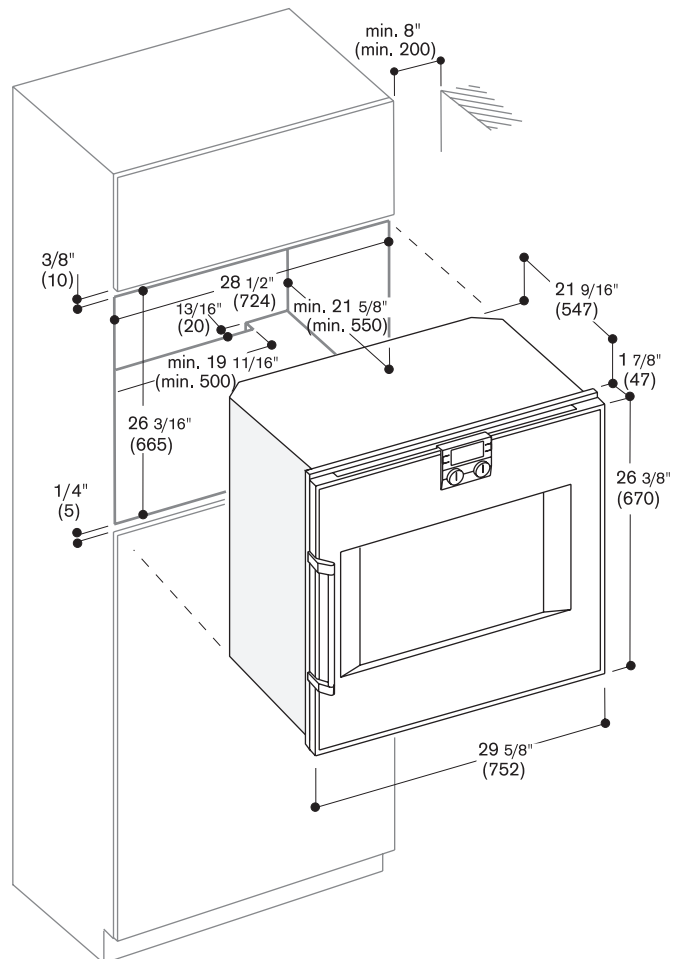
Planning notes

- Door hinge not reversible.
- The front of the appliance extends 1 7/8" from the cabinet front.
- The outer edge of the door handle extends 3 11/16" from the cabinet front.
- When planning a corner solution, pay attention to the 90° door opening angle.
- Consider the overhang, incl. the door handle, when planning to open drawers next to the appliance.
- Plan a gap of at least 3/16" between the appliance and adjacent cabinets.
- To achieve the 21 5/8" installation depth, the connecting cable needs to follow the slanted edge on the lower right hand corner of the housing. The plug needs to be planned outside of the cut-out niche.

When installing two ovens side by side, the handles of the two appliances need to be in the middle. A minimum clearance of 3/8" between the two doors is required.

Rating

- Total rating: 5.52 kW.
- Total Amps: 25
- 208/220-240V / 60Hz
- Plan for a connecting cable.



Numbers indicated inside parenthesis () = mm