



200 series wall-mounted Lift Oven®
BL 253

BL 253 610
 Stainless steel-tinted glass front
 Width 24" (60 cm)

Included accessories

- 1 wire rack.
- 1 baking tray.
- 1 grill tray.

Optional accessories

- BA 226 200
Baking tray, enameled
- BA 226 210
Broil tray, enameled
- BA 236 200
Wire rack, chromium-plated
- BA 236 210
Rack for broil tray, chromium-plated
- BS 020 002
Pizza peel, additional set of 2

- **Liftmatic operating system:**
At the push of a button, the base of the oven lowers.
- **11 heating modes, exact temperature control from 85°F – 550°F, pyrolytic self-cleaning.**
- **The highlight of the kitchen.**
Stainless steel-tinted glass front, 24" wide.

Universal heating system with 11 heating modes.

Net volume 1.8 cu.ft.

Features

Liftmatic with electric motor.
 Glass ceramic base.
 Electronic precision temperature control from 85°F – 550°F .
 Function display with automatic cooking timer.
 Automatic temperature recommendation.
 Super-Quick preheating.
 Temperature control with actual temperature display.
 Preheating of dishes.
 Keeps meals warm when open or closed.
 Residual heat indication.
 2 x 10 W side halogen lighting.
 40 W top lighting.
 The lights turn on automatically when the lift function is operated.

Safety

Thermally insulated safety glass front with quadruple glazing.
 Cooled housing with delayed shut-off fan.
 Electronic lift door lock.
 Child lock.
 Safety lock.

Cleaning

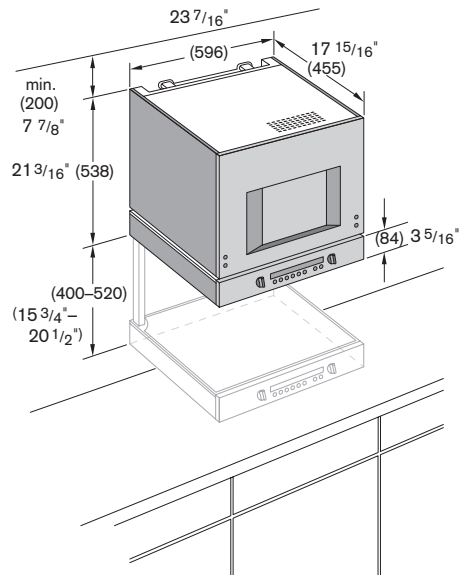
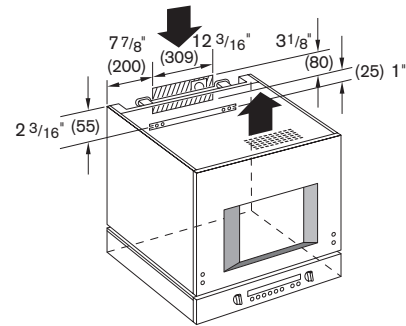
Pyrolytic self-cleaning.
 Enameled oven interior.
 Grease filter.
 Air cleaning catalyst.

Planning notes

Plan a power outlet in the connection area (shaded area in the figure) above the oven or outside the installation area. The ventilation and air extraction slots must remain free. When installing under wall-mounted cabinets, a maximum cabinet depth of 13 3/4" must be observed. The adjacent cabinetry must be heat resistant. Installation of a cooktop under the oven is not permitted. Oven can be installed in an overhanging cabinet. Needs to be accessible for service. Hanging brackets require horizontal stud for support.

Rating

Total rating: 3.6 kW.
 Total Amps: 16
 208/220-240V / 60Hz
 Cable length 47" without plug.



Numbers indicated inside parenthesis () = mm



Planning notes for the installation of ovens and oven combinations

General notes

Applies to BO/BX/BS/BF/WS/CM

Installation behind kitchen cabinet doors

Appropriate measures must be taken to prevent these types of doors from closing when the appliance is heating or while it is cooling down (fan operation). Please check your local regulations.

Combination of ovens and modular refrigeration systems

Please check the planning notes in the refrigeration section in order to prevent the refrigerator door from colliding with the oven handle.

Installation side by side

When appliances are installed side by side, the clearance between the appliances must be at least $\frac{3}{8}$ " (corresponds to the standard outside measurement of the furniture cavity of $23 \frac{5}{8}$ " or 30"). For best possible door opening, the handles should be positioned in the middle (see picture to the right).

Necessary air cross section at the door edges

Gaggenau 200 series ovens are supplied with fresh air for cooling at the top edge and side edges of the door. Hot air is blown out at the door bottom edge. Combi-steam ovens have the air inlet at the side edges of the door and the hot air and steam outlets at the top edge of the door.

In order to prevent appliances from overheating and to ensure that they cool down as required after operation, appropriate minimum cross sections of free space must be maintained from kitchen cabinet edges.

The measurements given in the drawing apply to all appliances. The following should also be checked:

The area above the appliances

BS:

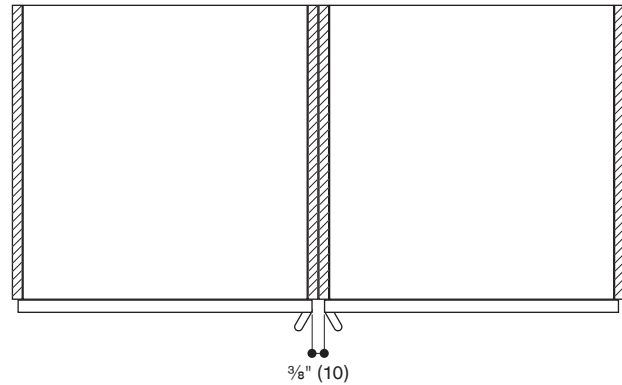
Where an edge of a kitchen unit protrudes more than $\frac{13}{16}$ " in front of the edge of the cabinet cavity, the edge of the kitchen cabinet panel must be steam resistant as is the case above a dishwasher. Steam may possibly penetrate into the shelf compartment.

BF:

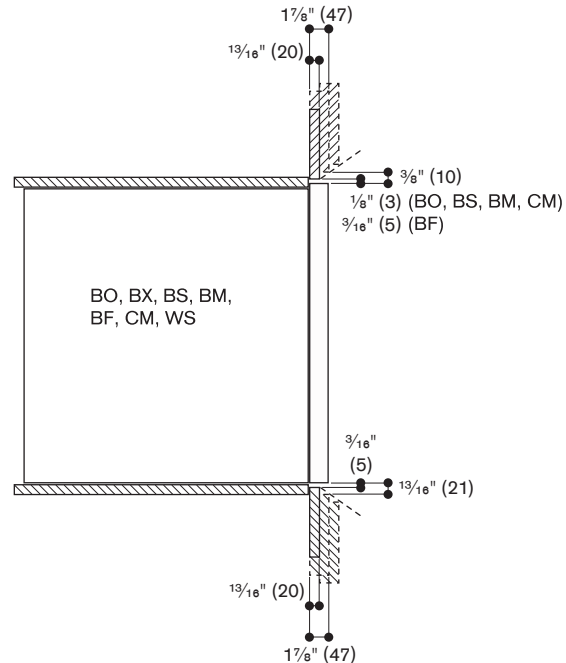
A minimum distance of $\frac{3}{16}$ " must be maintained because of the direction of movement of the lift door.

The maximum thickness of kitchen cabinet door is $1 \frac{7}{8}$ " in front of the edge of the furniture cavity in order to ensure that the lift door can be opened.

Installation side by side



Air openings on the door edges above/below



Numbers indicated inside parenthesis () = mm

The area below the appliances

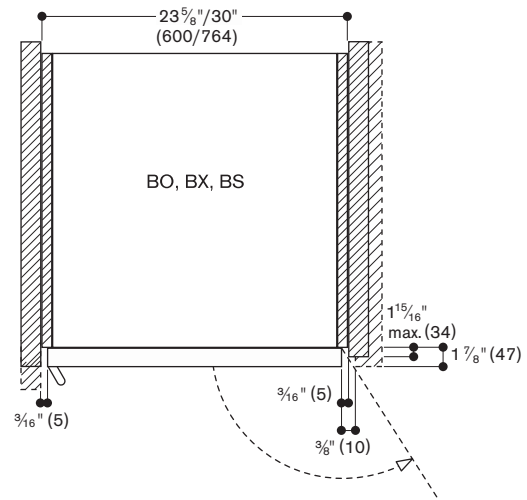
WS:

When the warming drawer is operated without handles, pay attention that there is sufficient access to the lower edge of the appliance if the thickness of the kitchen cabinet door is greater than $1\frac{3}{16}$ " in front of the cabinet cavity.

At the sides

In situations where kitchen cabinet doors are thicker, or where sidewalls protrude up to $\frac{15}{16}$ " from the front of the edge of the cabinet cavity, the minimum distance on the hinge side is sufficient for the air supply and a door opening angle of 120° . Above that, a distance of $\frac{3}{8}$ " or even more is required. The handle side may, if required, be covered by a side panel provided that the minimum distance is maintained.

Air openings on the door edges

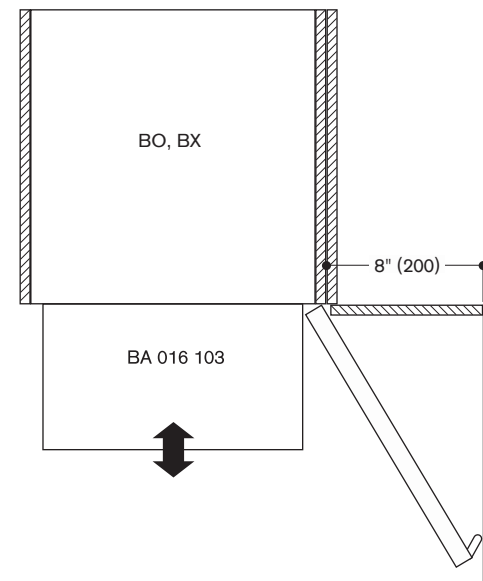


Installation in corners

Door clearance at the sides

When the pull-out drawer is used with the cast-iron roaster, a larger door opening angle of $7\frac{7}{8}$ " is required. For all other situations, $3\frac{15}{16}$ " is recommended. Where there are smaller side clearances down to a minimum of $1\frac{15}{16}$ ", restrictions in handling hot baking trays should be expected and the user-friendliness of the side-opening door can not be taken for granted.

Installation in corner situation



Numbers indicated inside parenthesis () = mm