

# Opus Mobile Overbed Table

Opus Mobile Overbed Table

## Mobile overbed table

provides a height-adjustable surface to support patient and caregiver needs including eating, writing, or personal storage space.

**Table top** is seamless thermoform overcoated top. Patient's primary surface provides spill retaining edges and height adjustability.

**Cup holders** are integrated to avoid spills.

**Caregiver and patient secondary surface** remains stationary for ready-use.

**Open cubby on end of secondary surface** accommodates charts or other materials.

**Primary vertical surfaces** allows for mounting of accessories and matches Opus finishes and aesthetics.

**Dual casters** are standard for easy maneuverability.

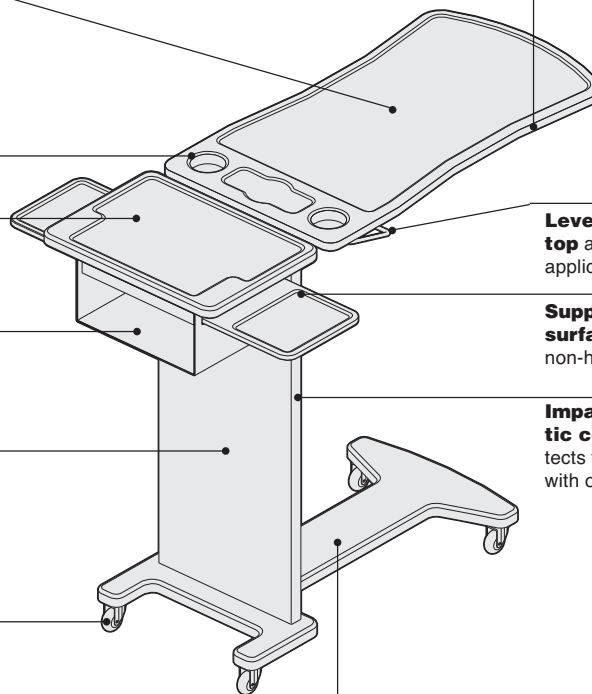
**Concave surface** enables table to be close to the patient.

**Lever on both sides of top** allows for non-handed application.

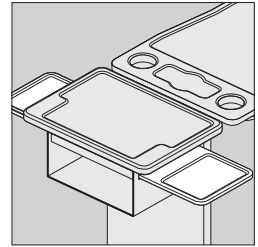
**Supplemental sliding surfaces** are available for non-handed application.

**Impact resistant plastic column bumper** protects table as it interfaces with other elements.

**Base cap** is seamless impact resistant plastic with a low profile to slide easily under beds and chairs.

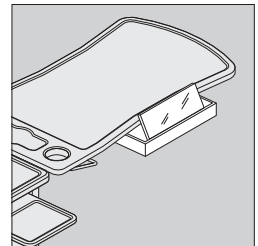


## Product Details



**Supplemental sliding surfaces** are available as an option to provide extra surface space on both sides.

**Adjustable height range** allows the table top height to be positioned in a 28 1/2" H - 44 1/2" H range from floor.



**Vanity drawer mirror option** is available for placement under patient surface. Two-sided for non-handed applications.

## Surface Materials

**Table top and supplemental sliding surface**

- Sand thermoform only

**Primary vertical surface**

- Laminate

**Casters**

- Black only

**Base**

- Sand plastic only

**Edge band on storage unit top and drawer**

- 3 mm plastic

Accessories

## Actual Dimensions

Overall length	48"
Depth of top	18"
Width of H-base	18"
Width of adjustable top	20 1/2"
Width of primary vertical surface	13 1/4"
Width of fixed secondary surface	18"
Height of fixed secondary surface	38"
Height of H-base	3"
Adjustable table top height	28 1/2" - 44 1/4"

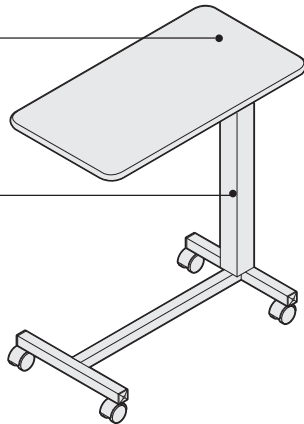
# Mobile Overbed Tables with Laminate Top and Wood Bullnose Edge

## Mobile overbed tables

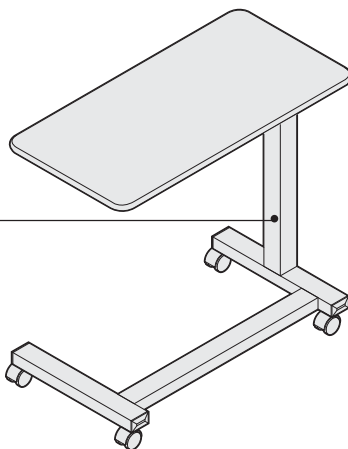
are available to hold food trays, and personal items, and to provide a writing surface.

**Table top** is High-Pressure Laminate with matching wood bullnose edge.

**Adjustable-height H-base** is standard in chrome.



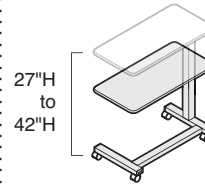
**Adjustable-height C-base** is standard in chrome.



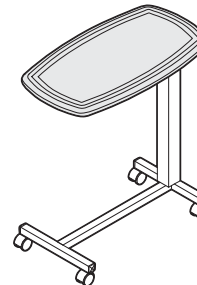
## Actual Dimensions

	H-base	C-base
Width of top	30"	36"
Depth of top	16"	18"
Width of base	30"	36"
Depth of base	16"	18"

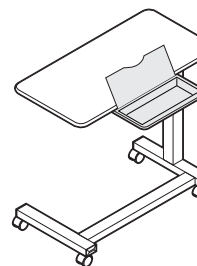
## Product Details



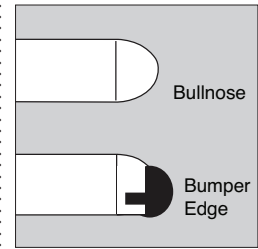
**Adjustable-height C-base and H-base** allow the table top height to be positioned in a 27"H–42"H range.



**Spill collector top** is optional and includes a trough to collect and prevent liquids from spilling over the edge.



**Vanity drawer** is available as an option to store small personal items. Drawer includes a mirror and is non-locking.



**Bumper edge profile** is available as an option. Bumper edge includes solid wood edge with a rounded plastic insert.

## Surface Materials

### Table top

- High-Pressure Laminate
- Spill collector top: thermoformed (option)

### Edge band on top

- Solid wood bullnose
- Bumper edge with solid wood edge and plastic T-mold insert (option), 6000 Black only

### Adjustable-height C-base and H-base

- Chrome

### Vanity drawer

- Almond only

### Castors

- Black only

# Mobile Overbed Tables with Laminate Top and Wood Shaker Edge

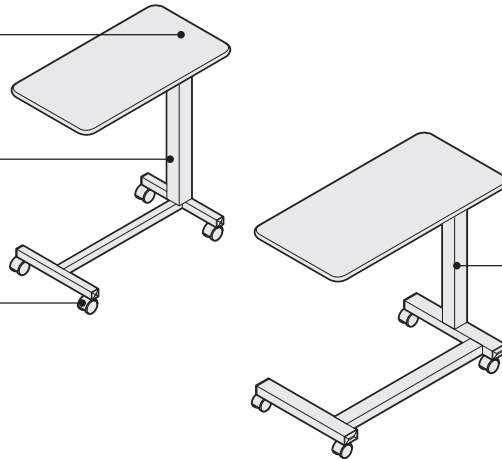
Mobile Overbed Tables with Laminate Top and Wood Shaker Edge

**Mobile overbed tables** are available to hold food trays and personal items, and to provide a writing surface.

**Table top** is High-Pressure Laminate with beveled edges.

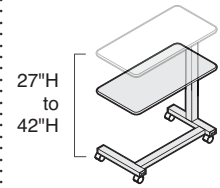
**Adjustable-height H-base** is standard in chrome.

**Casters** allow the tables to move easily.

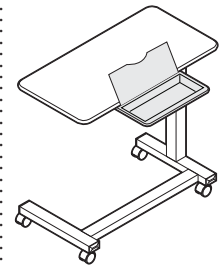


**Adjustable-height C-base** is standard in chrome.

## Product Details



**Adjustable-height C-base and H-base** allow the table top height to be positioned in a 27"H–42"H range.



**Vanity drawer** is available as an option to store small personal items. Drawer includes a mirror and is non-locking.

## Surface Materials

- Table top**
  - High-Pressure Laminate with beveled edge
- Adjustable-height C-base and H-base**
  - Chrome
- Vanity drawer**
  - Almond only
- Casters**
  - Black only

Accessories

## Actual Dimensions

	H-base	C-base
Width of top	30"	36"
Depth of top	16"	18"
Width of base	26½"	33"
Depth of base	15½"	18"

# Mobile Overbed Tables with Laminate Top

## Mobile overbed tables

are available in four styles to hold food trays and personal items, and to provide a writing surface.

**Table top** is High-Pressure Laminate with matching T-mold edges.

**Adjustable-height heavy duty H-base** is standard in chrome.

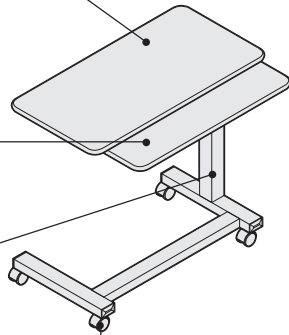
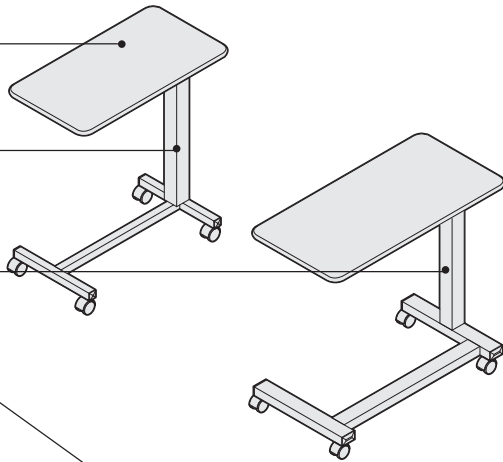
**Adjustable-height heavy duty C-base** is standard in chrome.

**Table top** is High-Pressure Laminate with black T-mold edges.

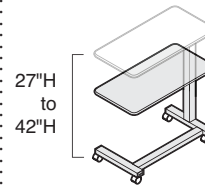
**Split top table** includes a smaller top that nests below a larger surface when not in use.

**Adjustable-height split-top C-base** is standard in chrome.

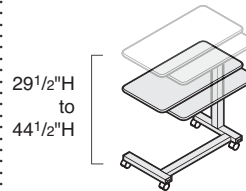
**Casters** allow the tables to move easily.



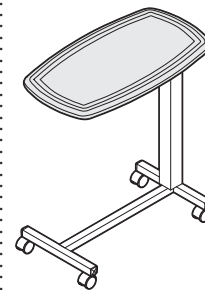
## Product Details



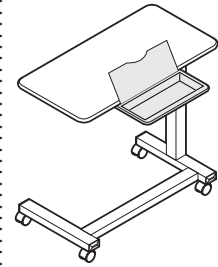
**Adjustable-height C-base and H-base** allow the table top height to be positioned in a 27"H–42"H range.



**Adjustable-height C-base on split top table** allows the table top to be positioned in a 29 1/2"H - 44 1/2"H range.



**Spill collector top** is optional and includes a trough to collect and prevent liquids from spilling over the edge.  
*Tip: Spill collector top option is not available on split top tables.*



**Vanity drawer** is available as an option to store small personal items. Drawer includes a mirror and is non-locking.

## Surface Materials

**Table top**

- High-Pressure Laminate
- Thermoform on spill collector top (option)

**Adjustable-height C-base and H-base heavy duty tables**

- Chrome

**Adjustable-height C-base on split top table**

- Chrome

**Vanity drawer**

- Almond only

**Casters**

- Black only

**Edge band on heavy duty tables** match laminates.

**Edge band on split top table** is black T-mold.

## Actual Dimensions

	H-base	C-base	Split Top Open	Split Top Nested
Width of top	30"	36"	32"	32"
Depth of top	16"	18"	31 1/2"	18"
Width of base	26 1/2"	33"	33"	33"
Depth of base	15 1/2"	18"	18"	18"

# Mobile Overbed Tables with Thermoform Top

Mobile Overbed Tables  
with Thermoform Top

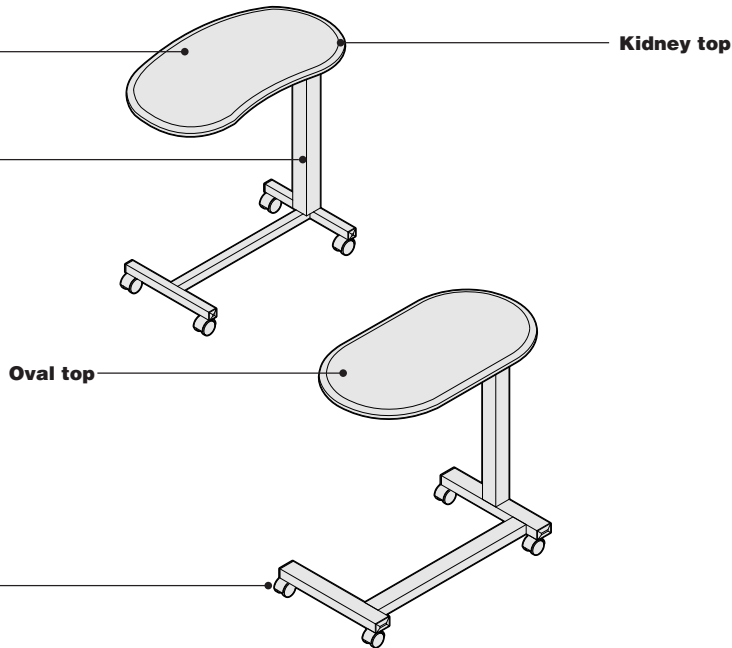
## Mobile overbed tables

are available to hold food trays and personal items, and to provide a writing surface.

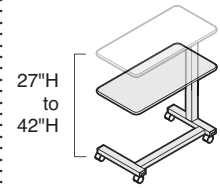
**Table top** is standard with a spill collector top.

**Adjustable-height base** is standard in chrome and available in H- or C-bases.

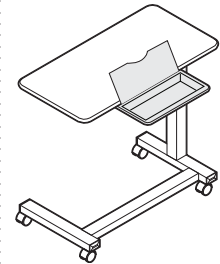
**Casters** allow the tables to move easily.



## Product Details



**Adjustable-height C-base and H-base** allow the table top height to be positioned in a 27"H–42"H range.



**Vanity drawer** is available as an option to store small personal items. Drawer includes a mirror and is non-locking.

## Surface Materials

**Table top**

- Thermoformed foil with spill collector

**Adjustable-height C-base and H-base**

- Chrome

**Vanity drawer**

- Almond only

**Casters**

- Black only

Accessories

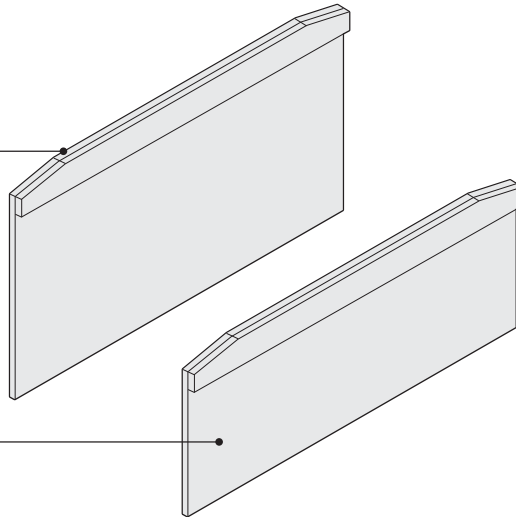
## Actual Dimensions

	H-base	C-base
Depth of top	18"	18"
Depth of base	18"	18"
Width of top	32"	32"
Width of base	30"	36"
Table top height	27" - 42"	27" - 42"

# Headboards and Footboards for use with Davenport

**Headboards and footboards** are available to complement the Davenport casegoods. They are ordered separately.

**Headboards** are wood-grain laminate.



**Footboards** are wood-grain laminate.

## Application Topics



**Headboard-mounting legs** are available to fasten headboard to bed frame when both box spring and mattress are used. Headboard-mounting legs must be specified separately. Attachment hardware is included to attach legs to headboard only.

► Page 432

**Custom cutouts** are available through Specials on headboards and footboards to accommodate a variety of bed designs. Template must be provided for each cutout pattern.

## Surface Materials

### Headboards and Footboards

- Laminate

### Headboard-mounting legs

- Finished to match headboard

## Actual Dimensions

### Headboards

Width	39", 54", or 60"
Height	22"

### Footboards

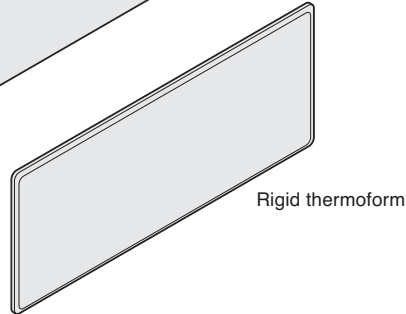
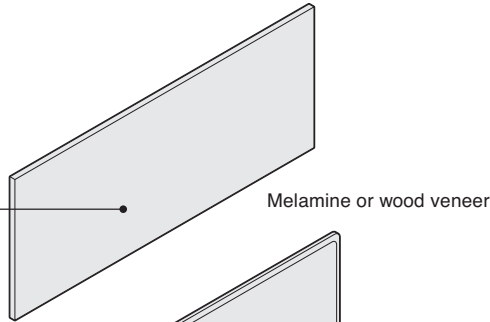
Width	39", 54", or 60"
Height	16"

# Headboards and Footboards with Plain Panel

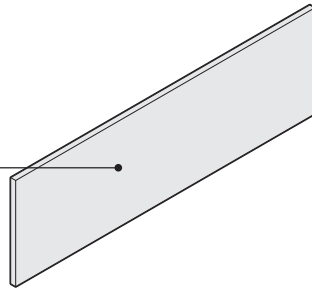
Headboards and Footboards with Plain Panel

**Headboards and footboards** are available in three sizes: twin, double, and queen.

**Headboards** are available in melamine, wood veneer, or rigid thermoform.



**Footboards** are available in melamine or wood veneer only.



## Actual Dimensions

### Headboards

Width	39", 54", or 60"
Height	22"

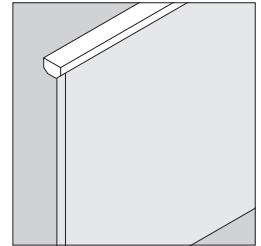
### Footboards

Width	39", 54", or 60"
Height	16"

### Headboard Mounting Leg

Height	29"
--------	-----

## Product Details



**Crown molding** is available as an option on melamine and wood veneer headboards only.

## Application Topics



**Headboard-mounting legs** are available to fasten headboard to bed frame when both box spring and mattress are used. Headboard-mounting legs must be specified separately. Attachment hardware is included to attach legs to headboard only.

► Page 432

**Custom cutouts** are available through Specials on headboards and footboards to accommodate a variety of bed designs. Template must be provided for each cutout pattern.

## Surface Materials

### Headboards

- Melamine
- Wood veneer
- Rigid thermoform

### Footboards

- Melamine
- Wood veneer

### Headboard-mounting legs

- Wood veneer only

# Platform Beds

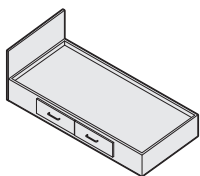
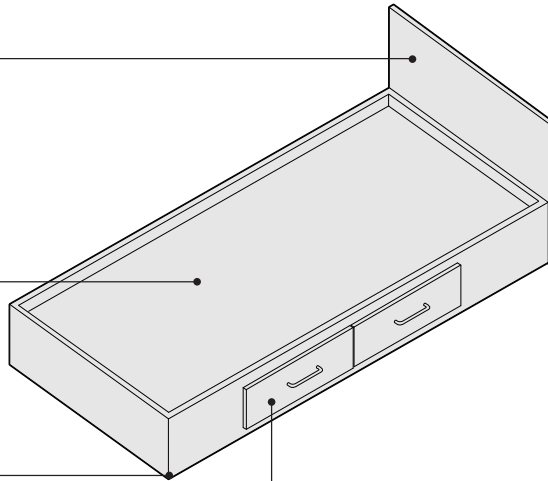
**Platform bed** provides an affordable solution for when adjustable, mobile beds are not needed.

**Sides and headboard** are wood veneer.

**Top surface** is durable and accommodates a mattress with dimensions 36"W x 80"L x 5"H. Mattress must be ordered separately.

**Nylon glides** are standard.

**Drawers** are available as an option.



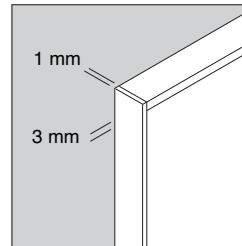
## Actual Dimensions

Width	37½"
Length	81½"
Height of sides	15"
Height of headboard	30"

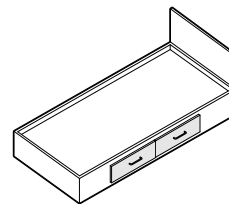
## Inside drawer dimensions

Depth	22½"
Width	17½"
Height	4¾"
Drawer opening	8"

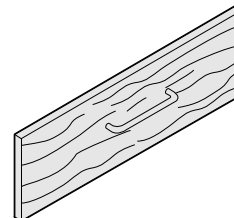
## Product Details



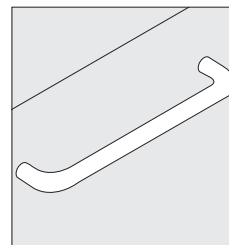
**Vertical edges** are 3 mm plastic and horizontal edges are 1 mm plastic. Edges match the laminate color specified.



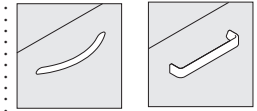
**Two drawers** are available as an option installed on the left or right side of the bed. Left or right side is determined by facing the foot of the bed. Drawers have melamine laminate sides, backs and bottoms. Right drawers shown. Drawers are non-removable.



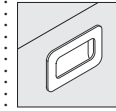
**Drawer fronts** are wood veneer or laminate with a soft pull or a variety of other pulls.



**D pulls** are standard.



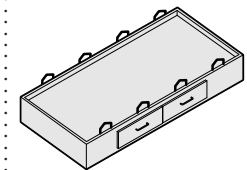
Contemporary Jazz



Opus

**Additional door and drawer pull options** are available. Optional pulls include:

- Contemporary
- Jazz
- Opus



**Deck tie down equipment** is available as an option for use in psychiatric and rehabilitation units. The option includes deck tie downs to restraint a patient and stainless steel brackets to bolt the bed frame to the floor. Tie down straps are sold separately.

**Platform bed** ships fully assembled.

## Surface Materials

**Platform bed, headboard, and drawer fronts**

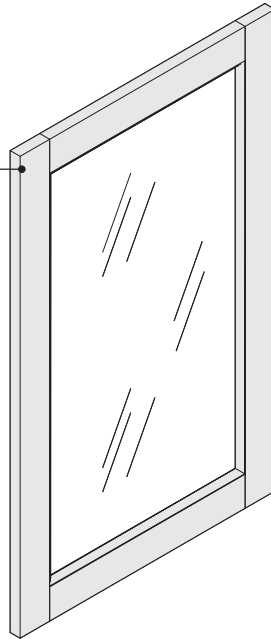
- Wood veneer
- Melamine laminate



## Mirror with Wood Frame

► Specifying, page 435

**Mirror** is available to personalize patient rooms and can complement and coordinate with any wood casegood line. Mounting hardware is included.



**Frame** is wood veneer.

### Surface Materials

#### Mirror

- Reflective glass

#### Frame

- Wood veneer

### Actual Dimensions

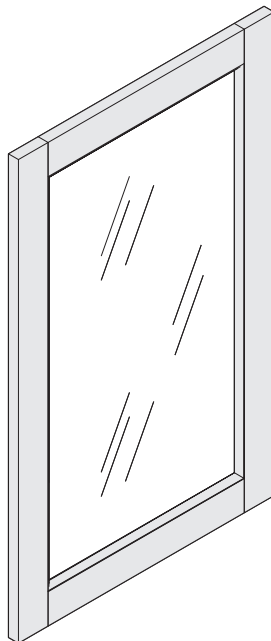
Width 20"

Height 32"

## Mirror with Rigid Thermoform Frame

► Specifying, page 436

**Mirror** is available to personalize patient rooms and can complement and coordinate with any rigid thermoform or melamine casegood line. Mounting hardware is included.



### Product Details

**Mirror** is available to personalize patient rooms. Mounting hardware is included.

### Surface Materials

#### Mirror

- Reflective glass

#### Frame

- Rigid thermoform

### Actual Dimensions

Width 20"

Height 32"

# Accessories

For Use with Ainsley, Davenport, Park, Senza, and Waldorf

## Towel Bar

► Specifying, page 437

### Product Details



**Towel bar** may be installed on the left or right side of a bedside table. Towel bar is field-installed only.

### Surface Materials

**Towel bar**  
• Nickel only

### Actual Dimensions

Depth	1 <sup>3</sup> / <sub>8</sub> "
Width	11 <sup>3</sup> / <sub>4</sub> "

## Litter Bag Holder

► Specifying, page 437

### Product Details



**Litter bag holder** is available to hold small paper bags. Litter bag holder is field-installed only and may be positioned on the left or right side of a bedside table.

### Surface Materials

**Litter bag holder**  
• 4799 Platinum Metallic

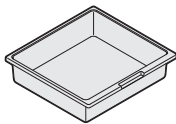
### Actual Dimensions

Depth	1 <sup>7</sup> / <sub>8</sub> "
Width	3"
Height	2"

## Plastic Drawer Liner

► Specifying, page 437

### Product Details



**Plastic drawer liner** is available to place in any drawer of cabinet to allow for ease of cleaning.

**Plastic drawer liner** ships in a package of four.

### Surface Materials

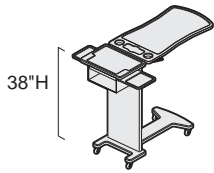
**Plastic drawer liner**  
• White plastic only

### Actual Dimensions

Depth	16 <sup>5</sup> / <sub>8</sub> "
Width	17 <sup>3</sup> / <sub>4</sub> "
Height	3 <sup>3</sup> / <sub>4</sub> "

# Opus Mobile Overbed Table

Opus Mobile Overbed Table



Standard Includes		Required to Specify
<ul style="list-style-type: none"> <li>▶ Need help? Product details, page 415</li> </ul>	<ul style="list-style-type: none"> <li>• Table top: sand thermoform</li> <li>• Edge band on storage unit top, column, and drawer: 3 mm plastic</li> <li>• Adjustable-height H-base: sand plastic only</li> <li>• Column: laminate</li> <li>• Casters: black</li> </ul>	<ul style="list-style-type: none"> <li>1 Style number</li> <li>2 Laminate color number for column</li> <li>3 Edge band color number for storage unit top, column, and drawers</li> <li>4 Options, if selected (see below)</li> <li>▶ See <i>Surface Materials</i>, page 681.</li> </ul>

Options	U.S. Price	Required to Specify
<b>Surface Materials</b> <ul style="list-style-type: none"> <li>• Laminate</li> <li>• Open Line laminate</li> <li>• Supplemental surface</li> </ul>	No cost +\$ 83 plus cost of laminate +\$114	<ul style="list-style-type: none"> <li>▶ See <i>Surface Materials</i>, page 681.</li> <li>▶ See <i>Surface Materials</i>, page 681.</li> <li>Specify with supplemental surface.</li> </ul>
<b>Drawer</b> <ul style="list-style-type: none"> <li>• Vanity drawer with mirror</li> </ul>	+\$125	Specify with vanity drawer.

Specification Information				
Dimensions			Style	U.S.
D	W	H	Number	Base Price
:	:	:	:	:
:	:	:	:	:

## With Adjustable-Height H-Base

16"	30"	27"-42"	<b>HT4818BCHP</b>	\$1285
:	:	:	:	:

Accessories

 **For Canadian Pricing**  
 Multiply U.S. Price by the Canadian price factor.  
 ▶ See page 1 for details.

# Mobile Overbed Tables with Laminate Top and Wood Bullnose Edge

Standard Includes		Required to Specify
<ul style="list-style-type: none"> <li>▶ Need help? Product details, page 416</li> </ul>	<ul style="list-style-type: none"> <li>• Table top: High-Pressure Laminate</li> <li>• Adjustable-height H-base, if selected: chrome</li> <li>• Adjustable-height C-base, if selected: chrome</li> <li>• Casters: black paint only</li> </ul>	<ul style="list-style-type: none"> <li>1 Style number</li> <li>2 Laminate color number for top</li> <li>3 Edge band on top</li> <li>4 Options, if selected (see below)</li> <li>▶ See <i>Surface Materials</i>, page 681.</li> </ul>

Tip: Optional base paint colors black, grey, brown, and almond have been removed, but are available through *Specials*.

Tip: Wood bullnose edge finish matches laminate specified on the top.

Tip: Bumper edge available in 6000 Black only.

Options	U.S. Price	Required to Specify
<b>Surface Materials</b> <ul style="list-style-type: none"> <li>• <b>Tops</b></li> <li>• Bullnose edge: wood</li> <li>• Bumper edge</li> <li>• Spill collector top: thermoform</li> </ul>	<ul style="list-style-type: none"> <li>No cost</li> <li>+\$ 48</li> <li>+\$119</li> </ul>	<ul style="list-style-type: none"> <li>Specify <i>with bullnose edge</i>.</li> <li>Specify <i>with bumper edge</i>.</li> <li>Specify <i>with spill collector</i>, and select thermoform color number.</li> </ul>
<b>Drawer</b> <ul style="list-style-type: none"> <li>• Vanity drawer with mirror</li> </ul>	<ul style="list-style-type: none"> <li>+\$112</li> </ul>	<ul style="list-style-type: none"> <li>Specify <i>with vanity drawer</i>.</li> </ul>

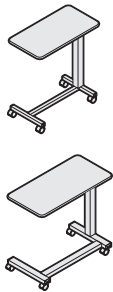
Specification Information				
Dimensions			Style	U.S.
D	W	H	Number	Base Price

## With Adjustable-Height H-Base

16"	30"	27"-42"	<b>260T3003</b>	\$861
-----	-----	---------	-----------------	-------

## With Adjustable-Height C-Base

18"	36"	27"-42"	<b>260T3604</b>	\$954
-----	-----	---------	-----------------	-------



### For Canadian Pricing

Multiply U.S. Price by the Canadian price factor.

▶ See page 1 for details.

# Mobile Overbed Tables with Laminate Top and Wood Shaker Edge

Mobile Overbed Tables with  
Laminate Top and Wood  
Shaker Edge

Standard Includes		Required to Specify
▶ Need help? Product details, page 417	<ul style="list-style-type: none"> <li>Table top: High-Pressure Laminate</li> <li>Adjustable-height H-base: chrome</li> <li>Adjustable-height C-base: chrome</li> <li>Casters: black only</li> </ul>	1 Style number 2 Laminate color number for top 3 Options, if selected (see below) ▶ See <i>Surface Materials</i> , page 681.

Options	U.S. Price	Required to Specify
<b>Drawer</b> • Vanity drawer with mirror	+\$112	Specify with vanity drawer.

*Tip: Optional base paint colors black, grey, brown, and almond have been removed, but are available through Specials.*

Specification Information				
Dimensions			Style	U.S.
D	W	H	Number	Base Price
:	:	:	:	:
:	:	:	:	:

## With Adjustable-Height H-Base

16"	30"	27"-42"	<b>22OT3003</b>	\$861
:	:	:	:	:

## With Adjustable-Height C-Base

18"	36"	27"-42"	<b>22OT3604</b>	\$954
:	:	:	:	:



Accessories



**For Canadian Pricing**  
Multiply U.S. Price by the  
Canadian price factor.  
▶ See page 1 for details.

# Mobile Overbed Tables with Laminate Top

Standard Includes	Required to Specify
<ul style="list-style-type: none"> <li>▶ Need help? Product details, page 418</li> <li>• Heavy-duty table top: High-Pressure Laminate with matching edge band, if selected</li> <li>• Split top table tops: High-Pressure Laminate with black edge band, if selected</li> <li>• Adjustable-height base: chrome</li> <li>• Casters: black</li> </ul>	<ul style="list-style-type: none"> <li>1 Style number</li> <li>2 Laminate color number for top</li> <li>3 Options, if selected (see below)</li> <li>▶ See <i>Surface Materials</i>, page 681.</li> </ul>

Tip: Optional base paint colors black, grey, brown, and almond have been removed, but are available through Specials.

Tip: Spill collector top is not available on split top table.

Options	U.S. Price	Required to Specify
<b>Surface Materials</b> <ul style="list-style-type: none"> <li>• Spill collector top: thermoform</li> </ul>	+\$111	Specify with <i>spill collector top</i> and select thermoform color number.
<b>Drawer</b> <ul style="list-style-type: none"> <li>• Vanity drawer with mirror</li> </ul>	+\$112	Specify with <i>vanity drawer</i> .

Specification Information		
Dimensions	Style Number	U.S. Base Price
D W H		
16" 30" 27"-42"	250T3003	\$ 777

## Heavy Duty Table Adjustable-Height H-Base

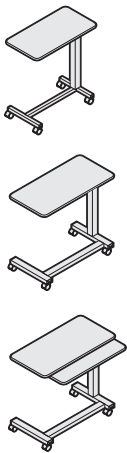
16"	30"	27"-42"	250T3003	\$ 777
-----	-----	---------	----------	--------

## Heavy Duty Table Adjustable-Height C-Base

18"	36"	27"-42"	250T3604	\$ 860
-----	-----	---------	----------	--------

## Split Top Table with Adjustable-Height C-Base with Black Edge Band

18"	36"	29 1/2"-44 1/2"	250T3606	\$1459
-----	-----	-----------------	----------	--------



**For Canadian Pricing**  
 Multiply U.S. Price by the Canadian price factor.  
 ▶ See page 1 for details.

# Mobile Overbed Tables with Thermoform Top

Mobile Overbed Tables with Thermoform Top

Standard Includes		Required to Specify
<ul style="list-style-type: none"> <li>▶ Need help? Product details, page 419</li> </ul>	<ul style="list-style-type: none"> <li>• Table top: thermoformed foil with spill collector</li> <li>• Adjustable-height H-base, if selected: chrome</li> <li>• Adjustable-height C-base, if selected: chrome</li> <li>• Casters: black</li> </ul>	<ul style="list-style-type: none"> <li>1 Style number</li> <li>2 Thermoform color number for top</li> <li>3 Options, if selected (see below)</li> <li>▶ See <i>Surface Materials</i>, page 681.</li> </ul>

Tip: Optional base paint colors black, grey, brown, and almond have been removed, but are available through Specials.

Tip: Vanity drawer available on oval style mobile overbed tables only.

Options	U.S. Price	Required to Specify
<b>Drawer</b> • Vanity drawer with mirror	+\$112	Specify with vanity drawer.

Specification Information		
Dimensions	Style Number	U.S. Base Price
D W H		
18" 32" 27"-42"	500T3003K	\$777
18" 32" 27"-42"	500T3003V	\$777
18" 32" 27"-42"	500T3604K	\$860
18" 32" 27"-42"	500T3604V	\$860

## With Adjustable-Height H-Base

### With Kidney Top

18"	32"	27"-42"	<b>500T3003K</b>	\$777
-----	-----	---------	------------------	-------

### With Oval Top

18"	32"	27"-42"	<b>500T3003V</b>	\$777
-----	-----	---------	------------------	-------

## With Adjustable-Height C-Base

### With Kidney Top

18"	32"	27"-42"	<b>500T3604K</b>	\$860
-----	-----	---------	------------------	-------

### With Oval Top

18"	32"	27"-42"	<b>500T3604V</b>	\$860
-----	-----	---------	------------------	-------



Accessories

 **For Canadian Pricing**  
 Multiply U.S. Price by the Canadian price factor.  
 ▶ See page 1 for details.

# Headboards and Footboards for use with Davenport

Standard Includes		Required to Specify
<ul style="list-style-type: none"> <li>▶ Need help? Product details, page 420</li> </ul>	<ul style="list-style-type: none"> <li>• Headboard: laminate</li> <li>• Footboard: laminate</li> </ul>	<ol style="list-style-type: none"> <li>1 Style number</li> <li>2 Laminate color number for headboard and/or footboard</li> <li>3 Options, if selected (see below)</li> </ol> <ul style="list-style-type: none"> <li>▶ See <i>Surface Materials</i>, page 681.</li> </ul>

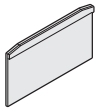
Tip: Headboard-mounting legs fasten to the bed frame when using box spring and mattress.

Options	U.S. Price	Required to Specify
<ul style="list-style-type: none"> <li>• Headboard-mounting legs</li> </ul>	+\$135	Specify with headboard-mounting legs.

Specification Information		
Dimensions	Style Number	U.S. Base Price
W H		

Headboards		
39"	22"	<b>70HB3901</b> \$245
54"	22"	<b>70HB5401</b> \$294
60"	22"	<b>70HB6001</b> \$315
:	:	:

Footboards		
39"	16"	<b>70FB3901</b> \$133
54"	16"	<b>70FB5401</b> \$200
60"	16"	<b>70FB6001</b> \$213
:	:	:



 **For Canadian Pricing**  
 Multiply U.S. Price by the Canadian price factor.  
 ▶ See page 1 for details.





# Headboards and Footboards with Plain Panel

Standard Includes		Required to Specify
<ul style="list-style-type: none"> <li>▶ Need help? Product details, page 421</li> </ul>	<ul style="list-style-type: none"> <li>• Headboard: melamine, wood veneer, or rigid thermoform</li> <li>• Footboard: melamine or wood veneer</li> <li>• Headboard mounting leg: wood veneer</li> </ul>	<ol style="list-style-type: none"> <li>1 Style number</li> <li>2 Laminate, wood, or rigid thermoform color number for headboard</li> <li>3 Laminate or wood color number for footboard</li> <li>4 Wood color number for headboard mounting leg</li> <li>5 Options, if selected (see below)</li> </ol> <ul style="list-style-type: none"> <li>▶ See <i>Surface Materials</i>, page 681.</li> </ul>

Tip: Crown molding option available on melamine and wood veneer headboards only.

Options	U.S. Price	Required to Specify
<b>Crown Molding</b>		
• 39"W headboard	+\$ 99	Specify with crown molding.
• 54"W headboard	+\$129	Specify with crown molding.
• 60"W headboard	+\$138	Specify with crown molding.

Specification Information		
Dimensions	Style	U.S.
W H	Number	Base Price

## Headboards

### Melamine

39"	22"	<b>HHB3901L</b>	\$213
54"	22"	<b>HHB5401L</b>	\$287
60"	22"	<b>HHB6001L</b>	\$307

### Wood

39"	22"	<b>HHB3901W</b>	\$302
54"	22"	<b>HHB5401W</b>	\$392
60"	22"	<b>HHB6001W</b>	\$419

### Rigid Thermoform

39"	22"	<b>HHB3901R</b>	\$348
54"	22"	<b>HHB5401R</b>	\$452
60"	22"	<b>HHB6001R</b>	\$484

## Footboards

### Melamine

39"	16"	<b>HFB3901L</b>	\$208
54"	16"	<b>HFB5401L</b>	\$270
60"	16"	<b>HFB6001L</b>	\$289

### Wood

39"	16"	<b>HFB3901W</b>	\$250
54"	16"	<b>HFB5401W</b>	\$324
60"	16"	<b>HFB6001W</b>	\$347

▶ **Specification Information, continued on next page**



**For Canadian Pricing**  
Multiply U.S. Price by the Canadian price factor.  
▶ See page 1 for details.

► **Specification Information, continued from previous page**

<b>Specification Information</b>			
<b>Height</b>	<b>Style Number</b>	<b>Quantity</b>	<b>U.S. Base Price</b>
<b>Headboard Mounting Leg</b>			
29"	<b>HHBL</b>	2	\$135

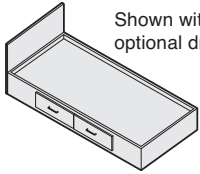


*Tip: Headboard-mounting legs fasten to the bed frame when using box spring and mattress.*



**For Canadian Pricing**  
Multiply U.S. Price by the Canadian price factor.  
► See page 1 for details.

# Platform Beds



Shown with optional drawers.

▶ Need help? Product details, page 422

## Standard Includes

- Platform bed and headboard and drawer fronts, if selected
- wood veneer or laminate
- Adjustable glides

## Required to Specify

- 1 Style number
  - 2 Wood or laminate color number for platform bed, headboard, and drawer fronts, if selected
  - 3 Pulls for drawers, if selected
  - 4 Options, if selected (see below)
- ▶ See *Surface Materials*, page 681.

*Tip: Platform bed is for use with 36"W x 80"L x 5"H mattress. Mattress is not included.*

*Tip: Specify drawers on left or right based on facing the foot of the bed.*

*Tip: Platform bed with deck tie downs does not include a full headboard. 36"W x 80"L mattress must be used and is ordered separately.*

*Tip: Bolts and tie down straps are not included.*

	Options	U.S. Price	Required to Specify
<b>Drawers</b>	<ul style="list-style-type: none"> <li>• Two drawers on left side: wood or laminate</li> <li>• Two drawers on right side: wood or laminate</li> </ul>	+\$364 +\$364	Specify <i>with drawers on left</i> . Specify <i>with drawers on right</i> .
<b>Drawer Pulls</b>	<ul style="list-style-type: none"> <li>• D pulls: Nickel</li> <li>• Contemporary pull:</li> <li>• Opus pull: Champagne</li> <li>• Jazz pull: Nickel</li> </ul>	No cost No cost +\$ 24 +\$ 34	Specify <i>with D pulls</i> . Specify <i>with Contemporary pulls</i> . Specify <i>with Opus pulls</i> . Specify <i>with Jazz pull</i> .
<b>Deck Tie Down Equipment</b>	<ul style="list-style-type: none"> <li>• Deck tie downs and brackets to allow bed frame to bolt to floor: stainless steel</li> </ul>	+\$686	Specify <i>with deck tie downs</i> .

## Specification Information

• Dimensions			• Style	• U.S.
W	L	H	Number	Base Price
:	:	:	:	:

### Wood Bed

37 <sup>1</sup> / <sub>2</sub> "	81 <sup>1</sup> / <sub>2</sub> "	30"	<b>26PB8036</b>	\$2016
:	:	:	:	:

### Laminate Bed

37 <sup>1</sup> / <sub>2</sub> "	81 <sup>1</sup> / <sub>2</sub> "	30"	<b>25PB8036</b>	\$1499
:	:	:	:	:



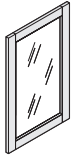
#### For Canadian Pricing

Multiply U.S. Price by the Canadian price factor.

▶ See page 1 for details.

# Mirror with Wood Frame

Mirror with Wood Frame



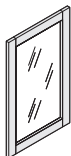
Standard Includes		Required to Specify
▶ Need help? Product details, page 423	<ul style="list-style-type: none"> <li>• Mirror: reflective glass</li> <li>• Frame: wood</li> <li>• Mounting hardware</li> </ul>	1 Style number 2 Wood color number for frame ▶ See <i>Surface Materials</i> , page 681.

Specification Information			
Dimensions		Style	U.S.
W	H	Number	Price
20"	32"	<b>HMR3201W</b>	\$320

Accessories

 **For Canadian Pricing**  
 Multiply U.S. Price by the  
 Canadian price factor.  
 ▶ See page 1 for details.

# Mirror with Rigid Thermoform Frame



Standard Includes		Required to Specify
-------------------	--	---------------------

- |  |  |  |
|--|--|--|
| <ul style="list-style-type: none"> <li>▶ Need help? Product details, page 423</li> </ul> | <ul style="list-style-type: none"> <li>• Mirror: reflective glass</li> <li>• Frame: rigid thermoform</li> <li>• Mounting hardware</li> </ul> | <ul style="list-style-type: none"> <li>1 Style number</li> <li>2 Rigid thermoform color number for frame</li> <li>▶ See <i>Surface Materials</i>, page 681.</li> </ul> |
|--|--|--|

Specification Information			
Dimensions		Style	U.S.
H	W	Number	Price

32"	20"	<b>HMR3201R</b>	\$320
-----	-----	-----------------	-------



**For Canadian Pricing**

Multiply U.S. Price by the Canadian price factor.

▶ See page 1 for details.

# Accessories

For Use with Ainsley, Davenport, Park, Senza, and Waldorf

## Towel Bar



Standard Includes		Required to Specify
▶ Need help? Product details, page 424	<ul style="list-style-type: none"> <li>Towel bar: nickel only</li> <li>Attachment hardware</li> </ul>	Style number

Specification Information			
Dimensions		Style Number	U.S. Price
D	W		
11 <sup>3</sup> / <sub>4</sub> "	1 <sup>3</sup> / <sub>8</sub> "	<b>HATWLBAR</b>	\$44

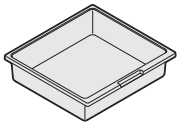
## Litter Bag Holder



Standard Includes		Required to Specify
▶ Need help? Product details, page 424	<ul style="list-style-type: none"> <li>Litter bag holder: 4799 Platinum Metallic only</li> <li>Attachment hardware</li> </ul>	Style number

Specification Information				
Dimensions			Style Number	U.S. Price
D	W	H		
1 <sup>7</sup> / <sub>8</sub> "	3"	2"	<b>HABAGHLD</b>	\$12

## Plastic Drawer Liner



*Tip: Drawer liners are for use with Ainsley, Park, Senza, and Waldorf casegoods only.*

Standard Includes		Required to Specify
▶ Need help? Product details, page 424	<ul style="list-style-type: none"> <li>Package of four plastic drawer liners: white only</li> </ul>	Style number

Specification Information		
Width	Style Number	U.S. Price
18"	<b>HADL18</b>	\$119

 **For Canadian Pricing**  
Multiply U.S. Price by the Canadian price factor.  
▶ See page 1 for details.

# Keys

Standard Includes	Required to Specify
• Key	Style number

Specification Information	
• Style Number	• U.S. Price

## Master Key for use with Davenport and Viridian

MSKEYW	\$26
--------	------



**For Canadian Pricing**  
Multiply U.S. Price by the  
Canadian price factor.  
▶ See page 1 for details.