

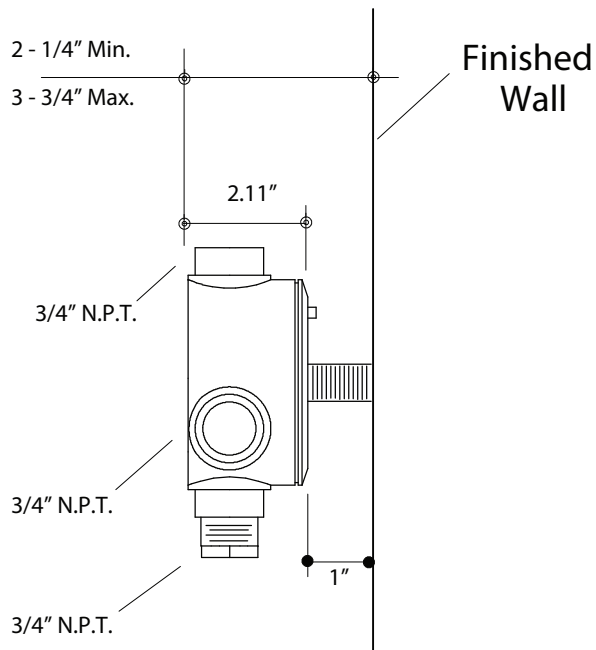
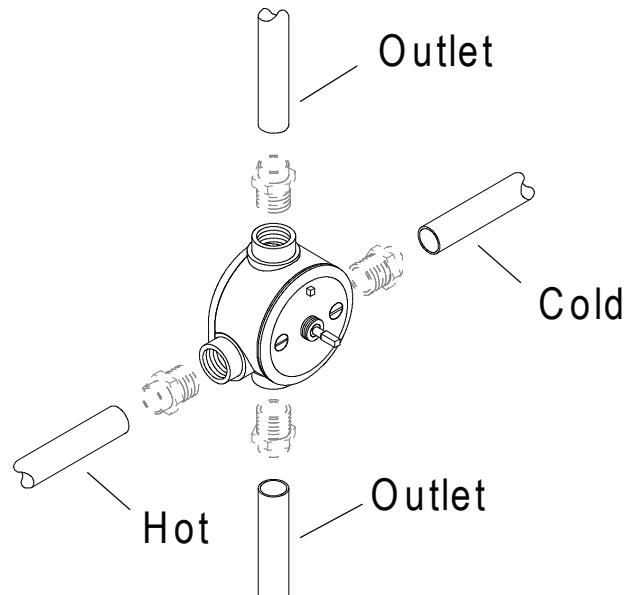
FEATURES

- Brass Construction

CODES/STANDARDS APPLICABLE

Specified Model Meets or Exceeds the Following:

- ASSE/ANSI 1016
- ADA



SPECIFIED MODEL

Model	Description
P19108-00-0	Thermostatic Valve Rough-In Assembly

We reserve the right to make revisions without notice in the design of fixtures or in packaging unless this right has specifically been waived at the time the order is accepted.