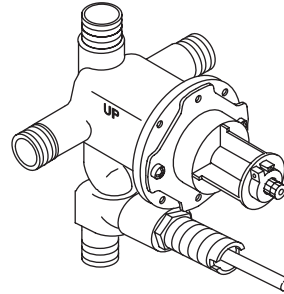
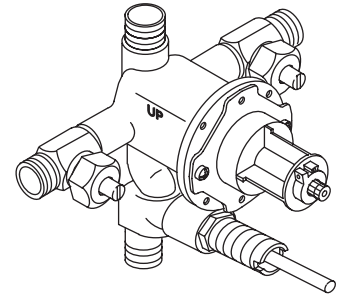


FEATURES

- Brass valve body
- High-temperature limit stop for added safety
- Mixing valve cycles from "cold" to "hot"
- Pressure-balancing diaphragm design valve
- One-piece diaphragm cartridge design for ease of maintenance
- Available with or without screwdriver stops



P19301-00



P19301-WS

CODES/STANDARDS APPLICABLE

Specified model meets or exceeds the following:

- ASME A112.18.1-2005/CSA B125.1-05
- ASSE 1016
- IAPMO/UPC

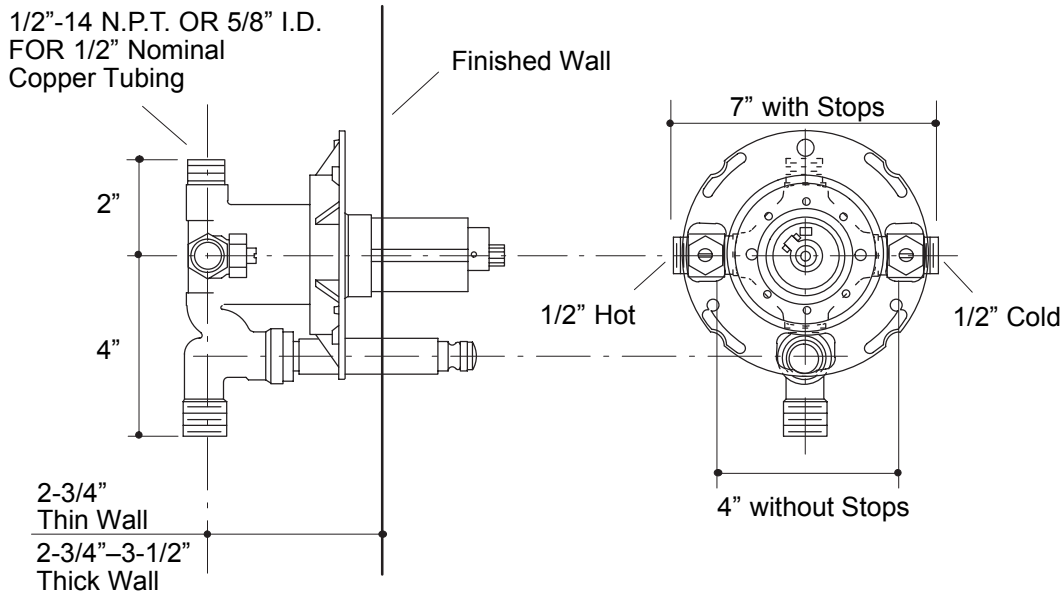
INSTALLATION NOTES

Install this product according to the installation guide.

Avoid cross-flow conditions. Do not install a shut-off device on either valve outlet.

Cap the shower outlet if a deck-mount spout, diverter, or handshower is connected to a spout outlet.

Install a straight pipe or tube drop of 7" (17.8 cm) to 18" (45.7 cm) with a single elbow between the valve and wall-mount spout.



SPECIFIED MODEL

Model	Description	Finishes
P19301-BB	Pressure-Balancing Valve with Diverter	<input type="checkbox"/> NA
P19301-WS	Pressure-Balancing Valve with Diverter and screwdriver stop	<input type="checkbox"/> NA

We reserve the right to make revisions without notice in the design of fixtures or in packaging unless this right has specifically been waived at the time the order is accepted.