

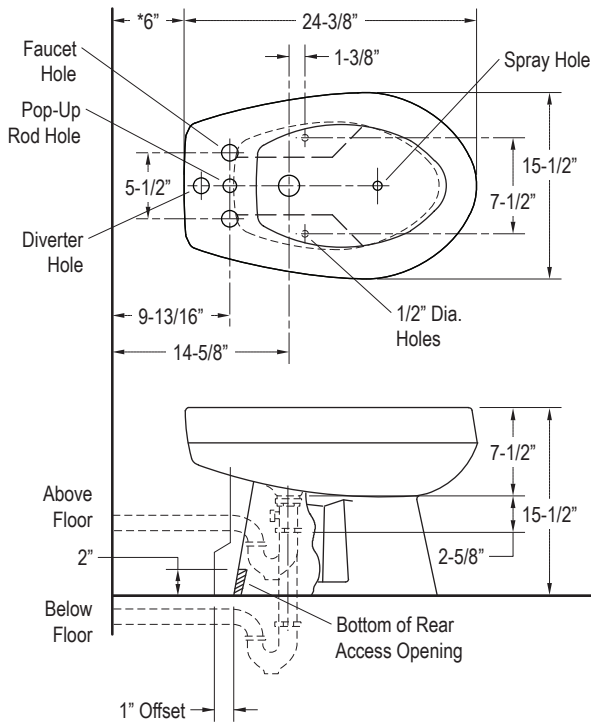
### FEATURES

- Vitreous China
- Front Fill and Vertical Spray
- For Above or Below the Floor Rough-in
- Includes Mounting Hardware

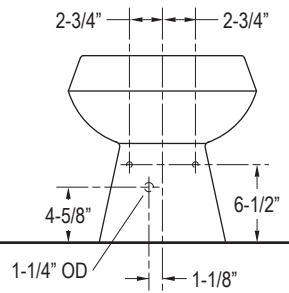
### CODES/STANDARDS APPLICABLE

Specified Model Meets or Exceeds the Following:

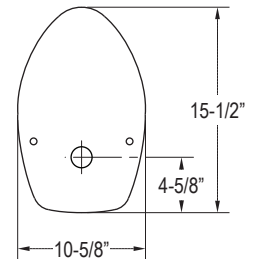
- ASME A112.19.2
- IAPMO/UPC
- CSA B45



\*6" (15.2 cm) dimension required to allow for drain and supply connection from rear of bidet.



Front of Bidet



PRODUCT INFORMATION	
Configuration	Integral Fill and Vertical Spray
Drain Hole	1-3/4"
Spray Hole	3/4"
Faucet Hole	1-3/8"
Diverter Hole	1-5/16"
Pop-up Rod Hole	1-1/8"

INSTALLATION NOTES
Install this product according to the installation guide. Trap can be installed above or below the floor. Hot and cold supplies can be installed from the floor or the wall. For floor supplies, hot and cold must be offset 1" away from base (toward the wall).

SPECIFIED MODEL			
Model	Description	Finishes	
P71040-00	Persephone™ Bidet	<input type="checkbox"/> 0 Stucco White	<input type="checkbox"/> 96 Linen

We reserve the right to make revisions without notice in the design of products or in packaging unless this right has specifically been waived at the time the order is accepted.