

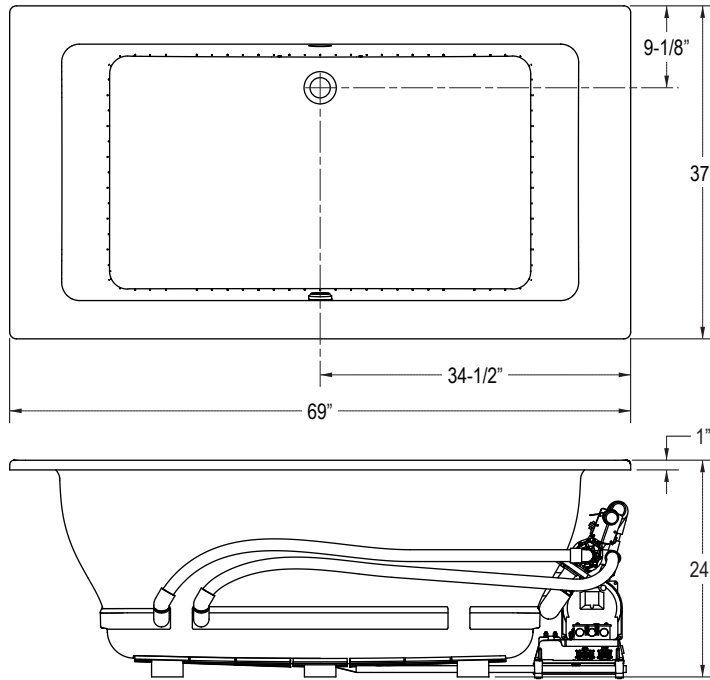
KALLISTA®

Perfect 69" x 37" Bathtub

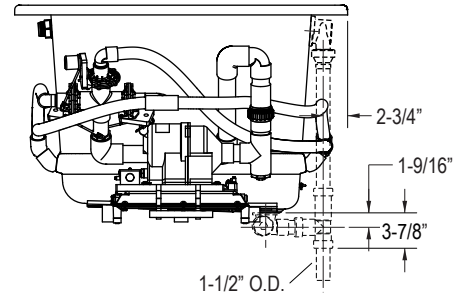
P50045

FEATURES

- Coordinates with Multiple Kallista Suites
- Generous 69" x 37" Size Comfortably Accommodates Two Bathers
- Integrated Lumbar Allows for a Deep, Relaxing Soak
- Drop-In or Custom Undermount Version
- Durable Acrylic Construction
- Center Side Drain and Overflow



ROUGHING-IN NOTES		
No change in measurements if connected with recommended drain illustrated.		
Minimum Access Panel:		
Blower/Control	34" (86.4 cm) W x 15" (38.1 cm) H Max	Required
Faucet Area		Recommended
Drop-in cutout	68" (173 cm) x 36" (91.4 cm)	
Floor support under bath must provide for a minimum of 42 lbs/square foot (204 kg/square meter) loading.		
Hot water supply should be 70% of capacity or greater. Installations will vary.		



PRODUCT INFORMATION			
Fixture*:	Top Area	Inside Area	Weight
Bathing Well	57-3/8" x 28-3/4"	46-3/4" x 25-3/4"	95 lbs. (00) 160 lbs. (G5)
	Water Depth	Capacity	
To Overflow	17-7/8"	103 gal.	
*Approximate Measurements For Comparison Only			
Heater	Voltage	Frequency	Amperage
300 W	220-240	50/60 Hz	3A

REQUIRED ELECTRICAL SERVICE	
Dedicated circuit required, protected with Class A Ground-Fault Circuit-Interrupter (GFCI) or Residual Current Device (RCD):	
Blower motor/control:	220-240 V, 15 A, 50/60 Hz

SPECIFIED MODEL					
Model	Description	Finishes			
P50045-00	Perfect 69" x 37" Bathtub	<input type="checkbox"/> 0 Stucco White	<input type="checkbox"/> 96 Linen		
P50045-G5	Perfect 69" x 37" Airbath	<input type="checkbox"/> 0 Stucco White	<input type="checkbox"/> 96 Linen		
Recommended Accessories					
P21581-00	Kallista Cable Drain	<input type="checkbox"/> NA			
P21582-00	Kallista Cable Drain Trim Kit	<input type="checkbox"/> CP Polished Chrome	<input type="checkbox"/> AD Nickel Silver	<input type="checkbox"/> AG Brushed Nickel	<input type="checkbox"/> BZ Antique Bronze
Optional Accessory					
P50046-00	Undermount Kit	<input type="checkbox"/> NA			

We reserve the right to make revisions without notice in the design of products or in packaging unless this right has specifically been waived at the time the order is accepted.