

## FEATURES

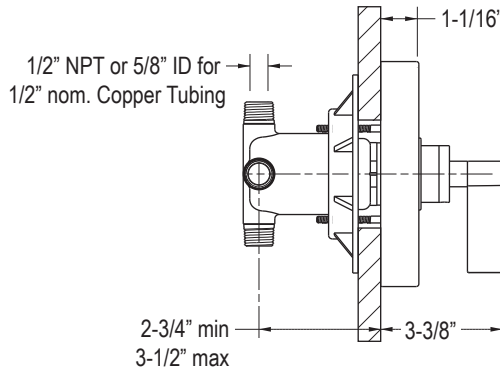
- Brass Construction
- Available with Lever or Cross Handles

## CODES/STANDARDS APPLICABLE

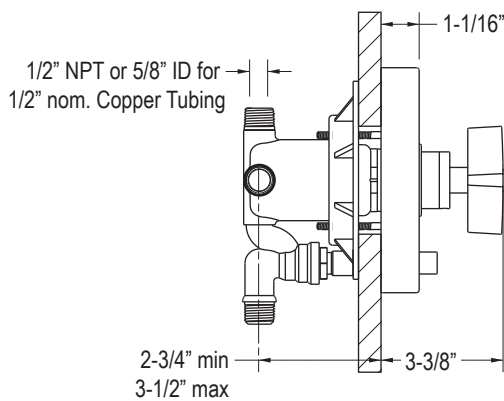
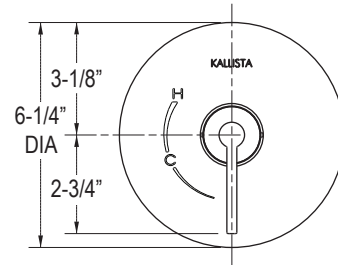
Specified Model Meets or Exceeds the Following:

- ASME A112.18.1-2005/CSA B125.1-05
- ASSE/ANSI 1016 (Rough-in)
- IAPMO/UPC

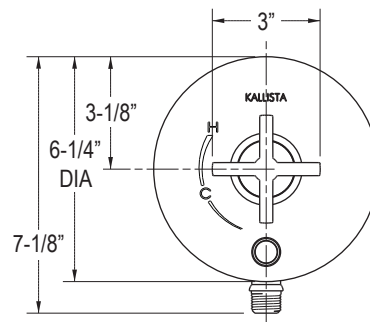
## P24415 & P24416



P24415-LV



P24416-CR



| SPECIFIED MODEL   |   |   |   |  |                                      |
|-------------------|---|---|---|--|--------------------------------------|
| Model             | Description   | Finishes                                    |   |  |                                      |
| P24415-LV         | One™ Concealed Pressure Balance Trim, Lever Handle            | <input type="checkbox"/> CP Polished Chrome | <input type="checkbox"/> AD Nickel Silver | <input type="checkbox"/> AG Brushed Nickel | <input type="checkbox"/> GN Gunmetal |
| P24415-CR         | One™ Concealed Pressure Balance Trim, Cross Handle            | <input type="checkbox"/> CP Polished Chrome | <input type="checkbox"/> AD Nickel Silver | <input type="checkbox"/> AG Brushed Nickel | <input type="checkbox"/> GN Gunmetal |
| P24416-LV         | One™ Concealed Pressure Balance Trim w/Diverter, Lever Handle | <input type="checkbox"/> CP Polished Chrome | <input type="checkbox"/> AD Nickel Silver | <input type="checkbox"/> AG Brushed Nickel | <input type="checkbox"/> GN Gunmetal |
| P24416-CR         | One™ Concealed Pressure Balance Trim w/Diverter, Cross Handle | <input type="checkbox"/> CP Polished Chrome | <input type="checkbox"/> AD Nickel Silver | <input type="checkbox"/> AG Brushed Nickel | <input type="checkbox"/> GN Gunmetal |
| Required Rough-in |   |   |   |  |                                      |
| P19300-BB         | Rough-in for P24415   | <input type="checkbox"/> NA                 |   |  |                                      |
| P19300-WS         | Rough-in with Stops for P24415                                | <input type="checkbox"/> NA                 |   |  |                                      |
| P29303-BB         | High-Flow Rough-in for P24415                                 | <input type="checkbox"/> NA                 |   |  |                                      |
| P19301-BB         | Rough-in for P24416   | <input type="checkbox"/> NA                 |   |  |                                      |
| P19301-WS         | Rough-in with Stops for P24416                                | <input type="checkbox"/> NA                 |   |  |                                      |

We reserve the right to make revisions without notice in the design of products or in packaging unless this right has specifically been waived at the time the order is accepted.