

## INSTALLATION INSTRUCTIONS

P23085

## THANK YOU FOR CHOOSING KALLISTA

We appreciate your commitment to Kallista quality products. Please take a moment to review this manual before you install your Kallista product. If you encounter any installation or performance problems, please do not hesitate to contact us at the phone number listed at the bottom of the page.

## BEFORE YOU BEGIN

- Observe all local plumbing and building codes.
- Shut off the water supplies.
- Before installation, unpack the new faucet and inspect it for damage. Return the faucet to the carton until you are ready to install it.
- Carefully inspect the supply tubing for any sign of damage and replace if necessary.
- Do not use petroleum based products in this faucet.
- This faucet is designed for installation to a countertop thickness of no more than 2-1/8 " (5.4 cm).
- Kallista reserves the right to make revisions in the design of faucets without notice, as specified in the Price Book.

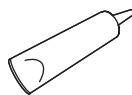
## TOOLS AND MATERIALS



Phillips  
Screwdriver



Adjustable  
Wrench



Silicone  
Sealant  
(Optional)

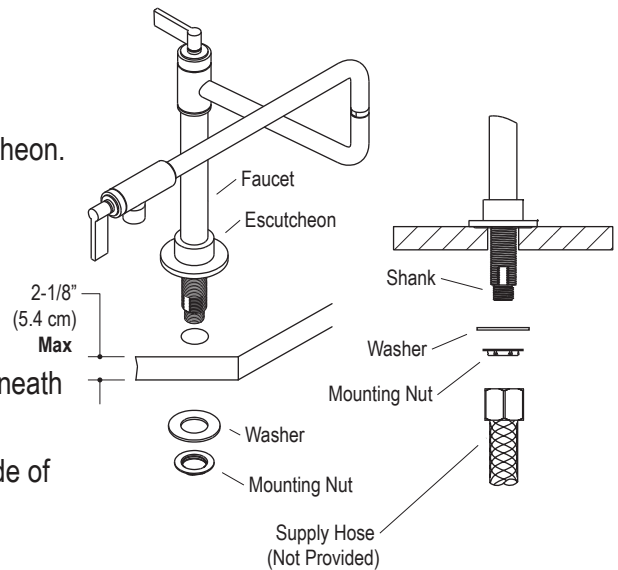
Plus:  
• Supply Hose  
(Not Provided)

## INSTALLATION INSTRUCTIONS

## P23085

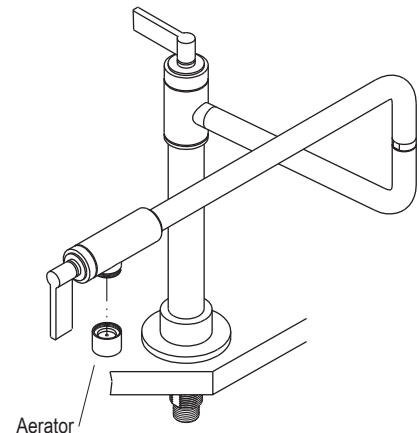
### 2. INSTALL THE FAUCET

- Mark the position of the mounting hole at the intended faucet installation location.
- Verify adequate reach of the faucet for your intended use.
- Drill a 1-1/8 (2.9 cm) to 1-3/8 (3.5 cm) hole at the marked location.
- Verify the O-ring is installed in the underside of the escutcheon.
- If desired, sealant may be applied to the underside of the escutcheon.
- Slide the escutcheon onto the faucet.
- Insert the shank through the mounting hole.
- Slide a metal washer onto the threaded shank from underneath the mounting surface.
- Thread the mounting nut onto the shank from the underside of the mounting surface.
- Orient the faucet as desired.
- Use an adjustable wrench to tighten the mounting nut.
- Connect the cold water supply to the shank.



### 3. INSTALLATION CHECKOUT

- Turn both handles full clockwise to the off position to close the valves.
- Verify that all connections are tight.
- Twist the aerator counter clockwise to remove it from the spout.
- Position a bucket, or other suitable container, beneath the spout.
- Turn on the main water supply.
- Check all connections for leaks; repair as needed.
- Open both faucet valves to run water through the faucet.
- Check all connections for leaks; make any adjustments as needed.
- Allow water to run through the spout to remove any debris.
- Turn off the faucet by closing both valves.
- Remove any debris from the aerator and reinstall.



### 4. EVERYDAY USE

- IMPORTANT!** The handle closest to the wall must remain in the off position when not in use.