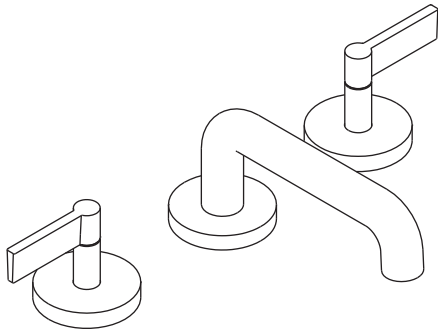
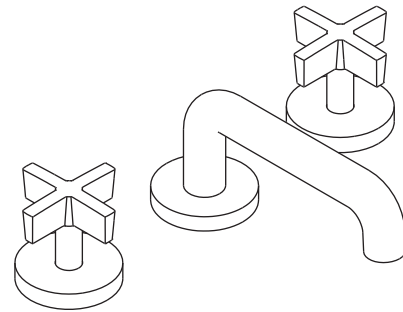


### INSTALLATION INSTRUCTIONS

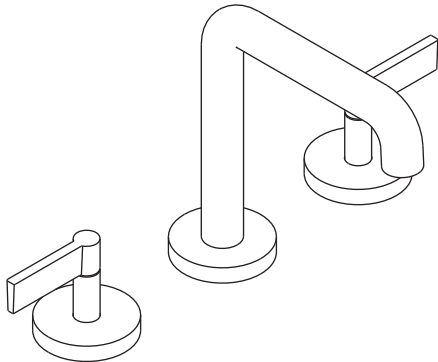
P24401  
P24402



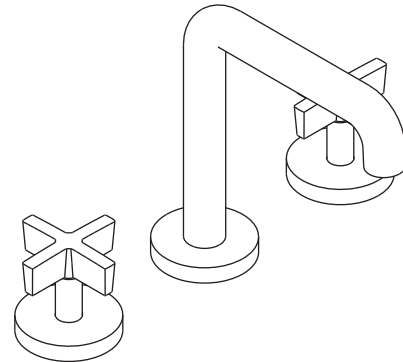
P24401-LV



P24401-CR



P24402-LV



P24402-CR

### INSTALLATION INSTRUCTIONS

P24401  
P24402

#### THANK YOU FOR CHOOSING KALLISTA

We appreciate your commitment to Kallista quality products. Please take a moment to review this manual before you install your Kallista product. If you encounter any installation or performance problems, please do not hesitate to contact us at the phone number listed at the bottom of the page.

#### BEFORE YOU BEGIN

- The appearance of your product may differ from the illustrations shown in these instructions, however, the installation procedure is the same.
- Shut off the main water supply.
- Observe all local plumbing codes.
- Carefully inspect waste and supply tubing for any sign of damage. Replace if necessary.
- For new installations, install the faucet before installing the lavatory.

#### TOOLS AND MATERIALS



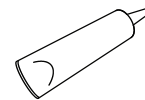
Adjustable  
Wrench



Thread  
Sealant



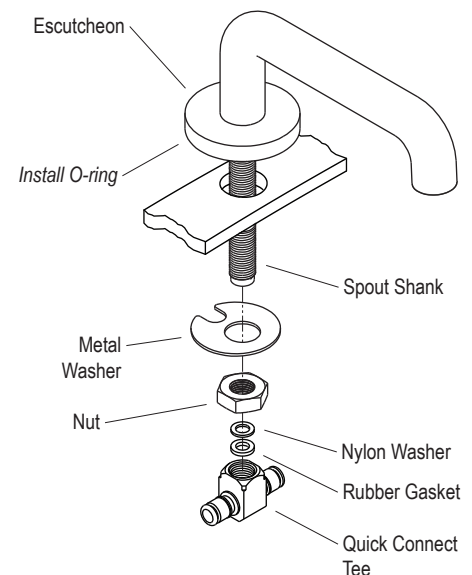
Plumbers  
Putty



Heavy Duty  
Pipe Sealant

#### 1. SPOUT INSTALLATION

- Ensure that the O-ring is installed in the underside of the escutcheon.
- Fit the spout shank through the top of lavatory.
- Install the metal washer and nut. Securely wrench tighten the nut.
- Insert the rubber gasket and nylon washer into the tee. Thread the tee on to the spout shank.
- Hold the spout in position and tighten the tee securely. Do not overtighten.

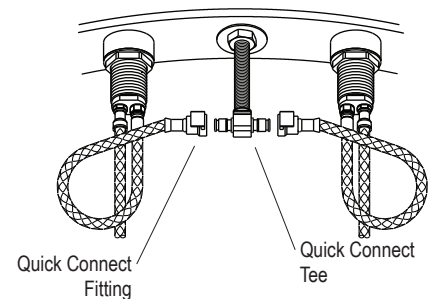
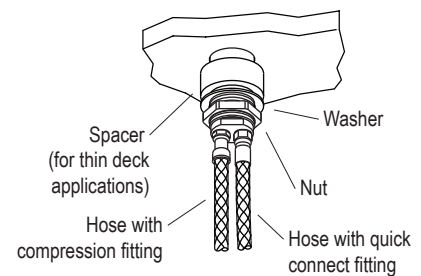
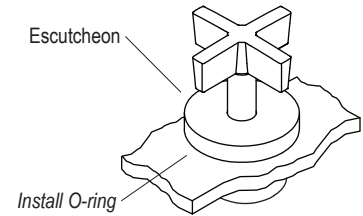


### INSTALLATION INSTRUCTIONS

P24401  
P24402

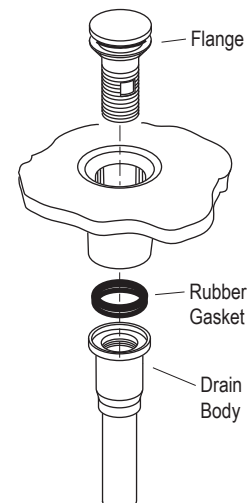
#### 2. HANDLE BODY INSTALLATION

- Ensure that the O-ring is installed in the underside of the escutcheon.
- Remove the washers and nuts from the valve assemblies.
- Insert the valve assembly hoses through the mounting holes from the top of the lavatory. Make sure the valve assembly marked "COLD" is installed in the right-hand hole (as viewed from the front of the lavatory).
- Install the spacers (spacers may be omitted for thick deck applications), washers, and nuts to the bottom of the valve assemblies.
- Align the valve assemblies so that the handles are oriented as desired in the off position.
- Wrench tighten the nuts.
- Connect the quick connect fittings to the quick connect tee inlets. Do not use thread sealant. To avoid kinking the hoses, loop them as shown.



#### 3. DRAIN INSTALLATION

- Apply a small bead of putty or sealant to the bottom of the flange. Insert the flange into the drain opening.
- From the underside of the lavatory thread the drain body onto the flange assembly. Tighten firmly.
- Using a damp cloth, remove any excess putty or sealant.



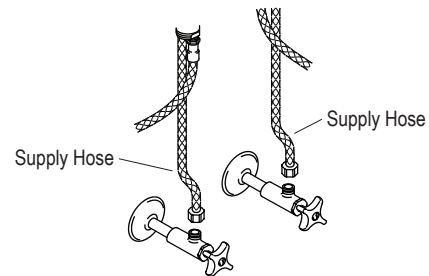
**INSTALLATION  
INSTRUCTIONS**

P24401

P24402

**4. SUPPLY TUBE AND SUPPLY STOP CONNECTION**

- Install the lavatory using the lavatory manufacturer's instructions.
- Connect the supply hoses from the valve assemblies to the supply stops. (Left is hot - right is cold).
- Tighten all connections.

**5. INSTALLATION CHECKOUT**

- Connect the tailpiece and P-trap (not supplied).
- Ensure that all connections are watertight.
- Remove the aerator assembly using the tool included with the faucet.
- Open the drain. Turn on the main water supply and check for leaks. Repair as needed.
- Open both hot and cold valves and run water through the spout for one minute to remove debris. Check for leaks in the flexible hose connections. Turn valves off.
- Re-install the aerator assembly.

