

# KALLISTA®

# Michael S. Smith Undercounter Basin

## FEATURES

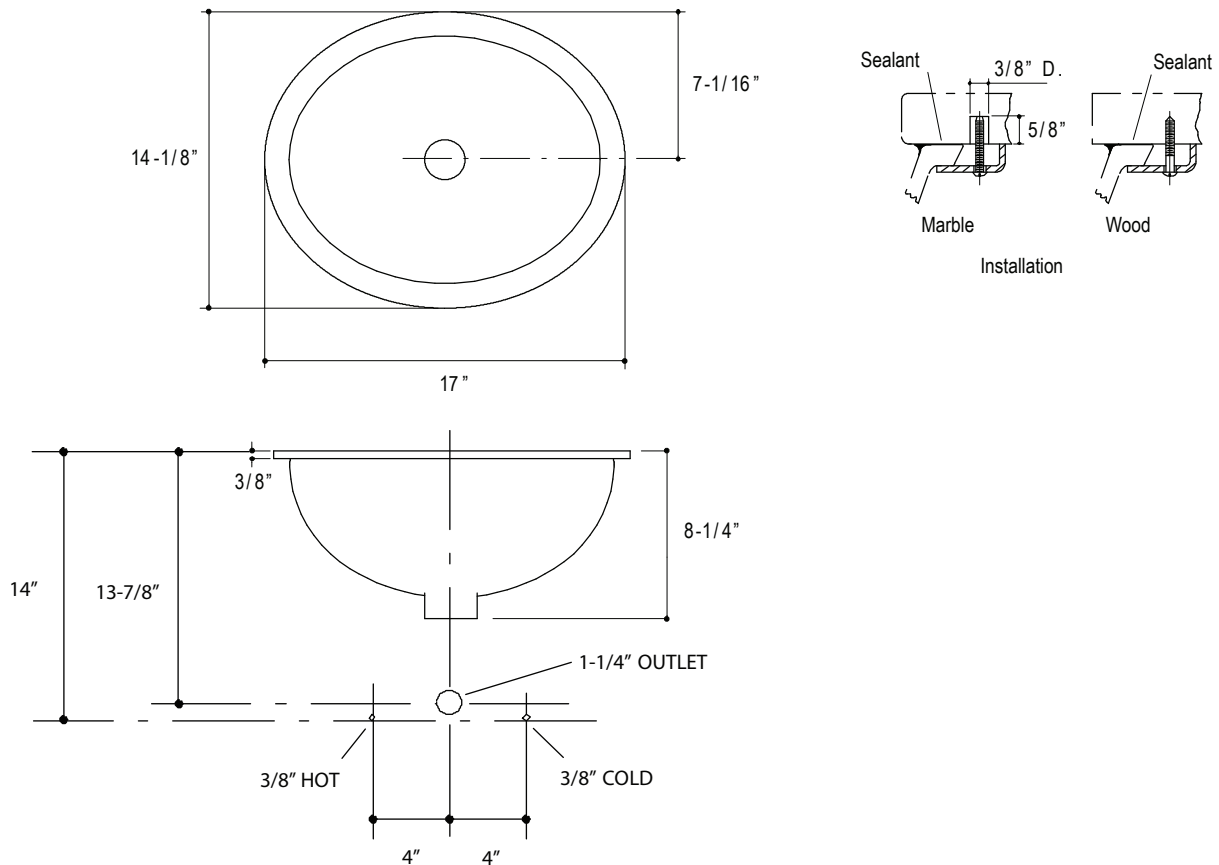
- Vitreous China
- Undercounter Mounting
- Includes Mounting Hardware
- Glazed Underside

## CODES/STANDARDS APPLICABLE

Specified Model Meets or Exceeds the Following:

- ASME/ANSI A112.19.2
- CAN/CSA-B45

# P72033



PRODUCT INFORMATION		
Fixture*:	Basin Area	Water Depth
Lavatory	14-7/8" x 11-7/8"	7"
Outlet	1-13/16"	
* Approximate Measurements for Comparison		
Cutout Template	1034803-7	

ROUGHING-IN NOTES
All Dimensions are Nominal.
Supplied Basin Clamp Assemblies Require 1" Minimum Countertop Thickness. Installer Must Supply Anchors for Thinner Countertops.

SPECIFIED MODEL			
Model	Description	Finishes	
P72033-00	Undercounter Basin	<input type="checkbox"/> 0 Stucco White	<input type="checkbox"/> 96 Linen

We reserve the right to make revisions without notice in the design of products or in packaging unless this right has specifically been waived at the time the order is accepted.